

Serie BA Series

Serie di ventilatori a pale curve in avanti.

Versioni:

Standard: coclea INOX - girante INOX - viteria acciaio INOX

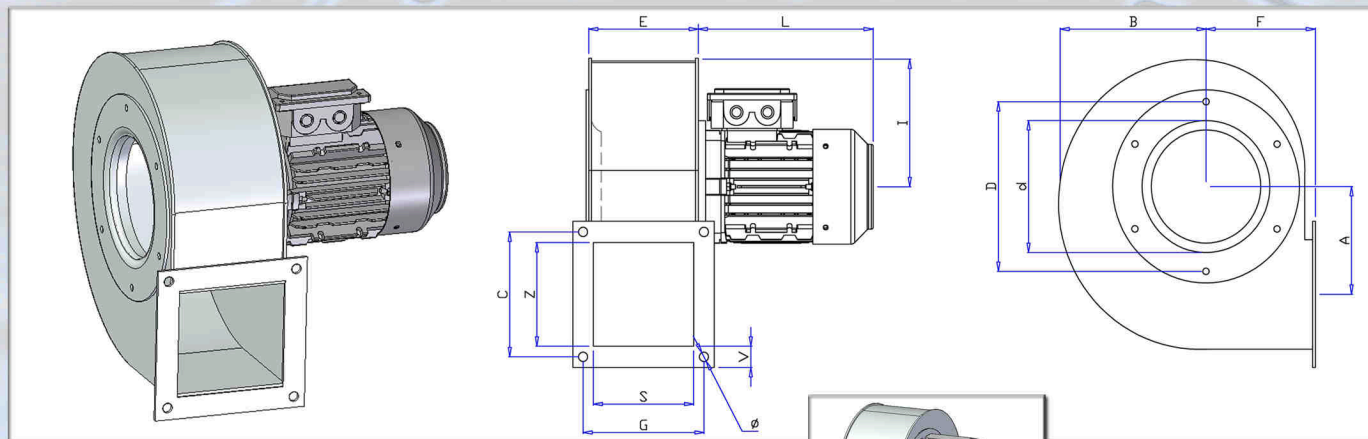
ATEX: coclea INOX - girante INOX - rasamenti antiscintilla - viteria acciaio INOX

Fans series with forward curved blades.

Versions:

Standard: INOX housing - INOX impeller - stainless steel screws

ATEX: INOX housing - INOX impeller - sparkproof execution - stainless steel screws



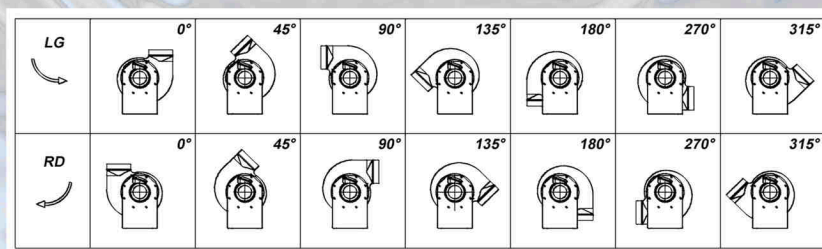
ACCESSORI:
supporto motore INOX

ACCESSORIES:
stainless steel motor support

| Tipo Type | Mot.Gr. Size | Mot. Kw | Giri Rpm | A | B | C | D | d | E | F | G | I | L | S | V | Z | Ø | KG.* | KG.** |
|------------|--------------|---------|----------|-----|-----|-----|-----|-----|-----|-----|-----|-----|-----|-----|------|-----|------|------|-------|
| BA 100-52 | 56 | 0.12 | 2850 | 65 | 90 | 85 | 115 | 75 | 72 | 80 | 85 | 77 | 165 | 70 | 15 | 70 | 7x14 | 2 | 4 |
| BA 130-64 | 63 | 0.12 | 1450 | 92 | 125 | 110 | 158 | 101 | 92 | 104 | 110 | 110 | 190 | 90 | 20 | 90 | 9x16 | 4 | 6 |
| BA 130-62 | 63 | 0.18 | 2850 | 92 | 125 | 110 | 158 | 101 | 92 | 104 | 110 | 110 | 190 | 90 | 20 | 90 | 9x16 | 5 | 7 |
| BA 130-84 | 63 | 0.12 | 1450 | 92 | 125 | 110 | 158 | 101 | 112 | 104 | 130 | 110 | 190 | 110 | 20 | 90 | 9x16 | 6 | 8 |
| BA 130-82 | 63 | 0.25 | 2850 | 92 | 125 | 110 | 158 | 101 | 112 | 104 | 130 | 110 | 190 | 110 | 20 | 90 | 9x16 | 6 | 8 |
| BA 160-84 | 63 | 0.12 | 1450 | 115 | 158 | 133 | 182 | 120 | 114 | 120 | 133 | 134 | 190 | 110 | 22.5 | 110 | 9x16 | 9 | 11 |
| BA 160-82 | 71 | 0.37 | 2850 | 115 | 158 | 133 | 182 | 120 | 114 | 120 | 133 | 134 | 215 | 110 | 22.5 | 110 | 9x16 | 9 | 12 |
| BA 180-84 | 63 | 0.18 | 1450 | 115 | 158 | 133 | 200 | 140 | 114 | 120 | 133 | 134 | 190 | 110 | 22.5 | 110 | 9x16 | 10 | 12 |
| BA 180-82 | 71 | 0.55 | 2850 | 115 | 158 | 133 | 200 | 140 | 114 | 120 | 133 | 134 | 215 | 110 | 22.5 | 110 | 9x16 | 10 | 13 |
| BA 200-104 | 71 | 0.25 | 1450 | 145 | 190 | 165 | 220 | 170 | 144 | 155 | 165 | 160 | 190 | 140 | 25 | 140 | 9x16 | 11 | 14 |
| BA 200-102 | 80 | 1.1 | 2850 | 145 | 190 | 165 | 220 | 170 | 144 | 155 | 165 | 160 | 250 | 140 | 25 | 140 | 9x16 | 19 | 23 |

* esecuzione con motore standard – standard motor execution

** esecuzione ATEX – ATEX execution



Venplast srl