

Technical Data Sheet

CODE 42207

A-E 252 M

Compact plate axial fans



Certifications

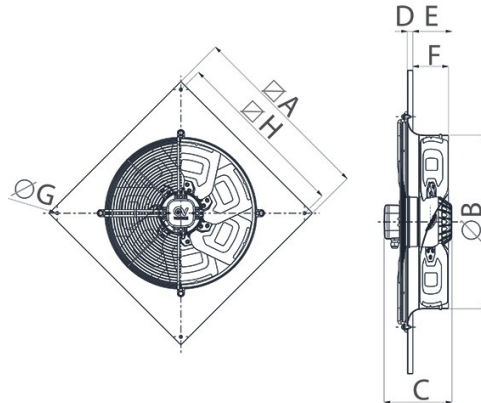
CE CE

EAC EAC

TECHNICAL AND PERFORMANCE DATA

Frequency (Hz)	50/60*	Voltage (V)	220-240
Insulation class	I°	Weight (Kg)	2,1
IP	54	Max airflow (l/s)	379
Max absorbed current (A)	0,41	Max airflow (m³/h)	1365
Max absorbed power (W)	95	Max pressure (Pa)	177
Max ambient temperature for continuous operation (°C)	50	Max pressure at Max speed (mmH2O)	18,0
Motor ATEX marking	54	RPM	2500
Nominal diameter (mm)	250	Sound power Lw [dB(A)]	73,5
Number of phases (Ph)	1	Sound pressure at 1m calculated in free field Lp [dB(A)]	62,5
Number of poles	2	Sound pressure at 3m calculated in free field Lp [dB(A)]	53,0

DIMENSIONS



Size A (mm)	320
Size B (mm)	264
Size C (mm)	149
Size D (mm)	10
Size F (mm)	82
Size G (mm)	8
Size H (mm)	280

PER INFORMAZIONI / FOR INFORMATION

ITALY

Pre Sales:
prevendita@vortice-italy.com
After Sales:
postvendita@vortice-italy.com

UNITED KINGDOM & REP. OF

IRELAND
Sales Dept:
sales@vortice.ltd.uk
Technical Dept:
technical@vortice.ltd.uk

OTHER COUNTRIES

Sales Dept:
export@vortice-italy.com
After Sales:
after-sales@vortice-italy.com

Technical Data Sheet

CODE 42207

A-E 252 M

Compact plate axial fans



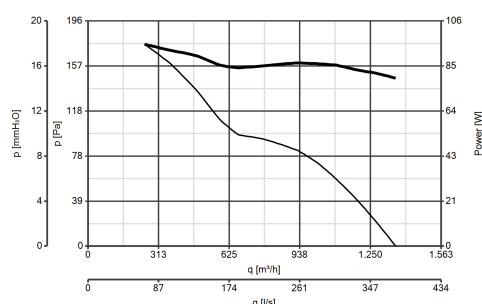
DESCRIPTION

- Nominal diameter 250 mm
- Panels made of pressed steel, phosphated and epoxy powder coated with hammered effect finish, guaranteeing long-term resistance to atmospheric agents.
- Ventilation port fashioned in one piece with the panel, gauged to optimize air flow, aerodynamically contoured and elongated to optimize performance and facilitate connection to the relative duct.
- Protective grille (in accordance with UNI ISO 13857 standard) combining the function of motor bracket, made of electrically welded steel with epoxy paint finish, colour black. Easy removal simplifies

maintenance and cleaning of the fan.

- 1 speed single phase AC motor of external rotor type designed to minimize axial dimensions, with shaft turning in ball bearings, insulation class F, thermal overload protection.
- Dynamically balanced impeller (UNI ISO 1940, Point 1 – Class 6.3); 5 pressed steel blades, electrolytically galvanized and polyester powder-coated, colour black.
- Vortice speed controller.

CURVES



ACCESSORIES



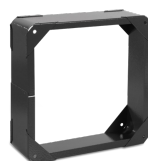
C 1.5
(COMANDO EL.
1.5 A)

Code 12966



IREM 3 CD
99250080

Code 12931



DPU 250
(DISTANZIATORE)

Code 52151



PGR 250
(PERSIANA
GRAVITA')

Code 50150



TRA 250
(TELAIO CON
RETE ANTINF.)

Code 51150



IREM INVERTER
4 M

Code 12815

PER INFORMAZIONI / FOR INFORMATION

ITALY
Pre Sales:
prevendita@vortice-italy.com

UNITED KINGDOM & REP. OF
IRELAND
Sales Dept:
sales@vortice.ltd.uk

OTHER COUNTRIES
Sales Dept:
export@vortice-italy.com

After Sales:
postvendita@vortice-italy.com

Technical Dept:
technical@vortice.ltd.uk

After Sales:
after-sales@vortice-italy.com