

# Technical Data Sheet

CODE 42208

## A-E 254 M

Compact plate axial fans



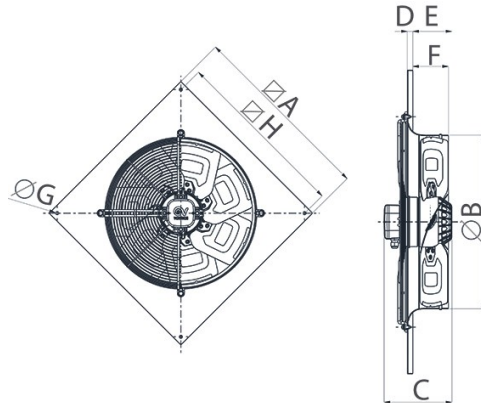
### Certifications



### TECHNICAL AND PERFORMANCE DATA

|   |        |  |         |
|---|--------|--|---------|
| Frequency (Hz)  | 50/60* | Voltage (V)  | 220-240 |
| Insulation class                                      | I°     | Weight (Kg)  | 2,1     |
| IP  | 54     | Max airflow (l/s)  | 212     |
| Max absorbed current (A)                              | 0,17   | Max airflow (m³/h)                                       | 764     |
| Max absorbed power (W)                                | 38     | Max pressure (Pa)  | 61,0    |
| Max ambient temperature for continuous operation (°C) | 50     | Max pressure at Max speed (mmH2O)                        | 6,0     |
| Nominal diameter (mm)                                 | 250    | RPM  | 1400    |
| Number of phases (Ph)                                 | 1      | Sound power Lw [dB(A)]                                   | 59,0    |
| Number of poles                                       | 4      | Sound pressure at 1m calculated in free field Lp [dB(A)] | 48,0    |
|   |        | Sound pressure at 3m calculated in free field Lp [dB(A)] | 38,5    |

### DIMENSIONS



|             |     |
|-------------|-----|
| Size A (mm) | 320 |
| Size B (mm) | 264 |
| Size C (mm) | 149 |
| Size D (mm) | 10  |
| Size F (mm) | 82  |
| Size G (mm) | 8   |
| Size H (mm) | 280 |

### PER INFORMAZIONI / FOR INFORMATION

#### ITALY

Pre Sales:  
prevendita@vortice-italy.com  
After Sales:  
postvendita@vortice-italy.com

#### UNITED KINGDOM & REP. OF

IRELAND  
Sales Dept:  
sales@vortice.ltd.uk  
Technical Dept:  
technical@vortice.ltd.uk

#### OTHER COUNTRIES

Sales Dept:  
export@vortice-italy.com  
After Sales:  
after-sales@vortice-italy.com

# Technical Data Sheet

CODE 42208

## A-E 254 M

Compact plate axial fans



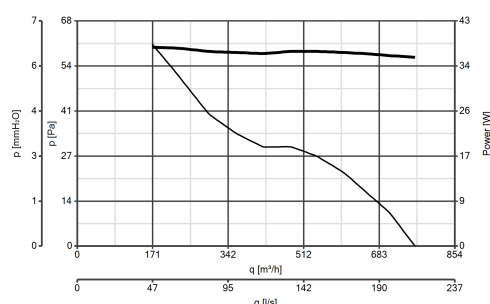
### DESCRIPTION

- Nominal diameter 250 mm
- Panels made of pressed steel, phosphated and epoxy powder coated with hammered effect finish, guaranteeing long-term resistance to atmospheric agents.
- Ventilation port fashioned in one piece with the panel, gauged to optimize air flow, aerodynamically contoured and elongated to optimize performance and facilitate connection to the relative duct.
- Protective grille (in accordance with UNI ISO 13857 standard) combining the function of motor bracket, made of electrically welded steel with epoxy paint finish, colour black. Easy removal simplifies

maintenance and cleaning of the fan.

- 1 speed single phase AC motor of external rotor type designed to minimize axial dimensions, with shaft turning in ball bearings, insulation class F, thermal overload protection.
- Dynamically balanced impeller (UNI ISO 1940, Point 1 – Class 6.3); 5 pressed steel blades, electrolytically galvanized and polyester powder-coated, colour black.
- Vortice speed controller.

### CURVES



### ACCESSORIES



#### C 1.5 (COMANDO EL. 1.5 A)

Code 12966



#### IREM 3 CD 99250080

Code 12931



#### DPU 250 (DISTANZIATORE)

Code 52151



#### PGR 250 (PERSIANA GRAVITA')

Code 50150



#### TRA 250 (TELAIO CON RETE ANTINF.)

Code 51150



#### IREM INVERTER 4 M

Code 12815

### PER INFORMAZIONI / FOR INFORMATION

ITALY

Pre Sales:

prevendita@vortice-italy.com

UNITED KINGDOM & REP. OF

IRELAND

Sales Dept:

sales@vortice.ltd.uk

OTHER COUNTRIES

Sales Dept:

export@vortice-italy.com

After Sales:  
postvendita@vortice-italy.com

Technical Dept:  
technical@vortice.ltd.uk

After Sales:  
after-sales@vortice-italy.com