

# Technical Data Sheet

CODE 42261

## A-E 404 T

Compact plate axial fans



### Certifications

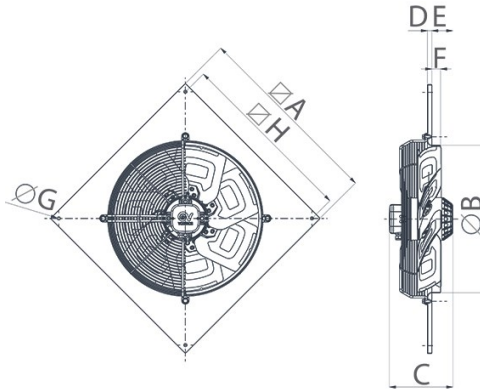
CE CE

EAC EAC

### TECHNICAL AND PERFORMANCE DATA

Frequency (Hz)	50	Voltage (V)	380-415
Insulation class	I°	Weight (Kg)	6,3
IP	54	Max airflow (l/s)	1064
Max absorbed current (A)	0,65	Max airflow (m³/h)	3832
Max absorbed power (W)	318	Max pressure (Pa)	246
Max ambient temperature for continuous operation (°C)	50	Max pressure at Max speed (mmH2O)	25,0
Nominal diameter (mm)	400	RPM	1400
Number of phases (Ph)	3	Sound power Lw [dB(A)]	73,5
Number of poles	4	Sound pressure at 1m calculated in free field Lp [dB(A)]	53,0
		Sound pressure at 3m calculated in free field Lp [dB(A)]	62,5

### DIMENSIONS



Size A (mm)	510
Size B (mm)	406
Size C (mm)	207
Size D (mm)	15
Size E (mm)	67
Size F (mm)	30
Size G (mm)	12
Size H (mm)	430

### PER INFORMAZIONI / FOR INFORMATION

#### ITALY

Pre Sales:  
prevendita@vortice-italy.com  
After Sales:  
postvendita@vortice-italy.com

#### UNITED KINGDOM & REP. OF

IRELAND  
Sales Dept:  
sales@vortice.ltd.uk  
Technical Dept:  
technical@vortice.ltd.uk

#### OTHER COUNTRIES

Sales Dept:  
export@vortice-italy.com  
After Sales:  
after-sales@vortice-italy.com

# Technical Data Sheet

CODE 42261

## A-E 404 T

Compact plate axial fans



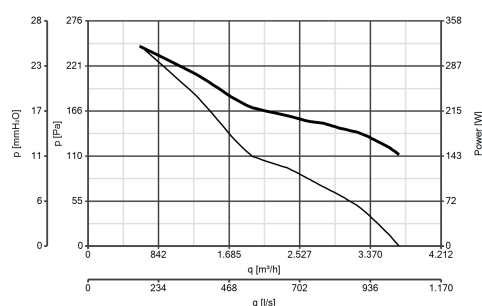
### DESCRIPTION

- Nominal diameter 400 mm
- Panels made of pressed steel, phosphated and epoxy powder coated with hammered effect finish, guaranteeing long-term resistance to atmospheric agents.
- Ventilation port fashioned in one piece with the panel, gauged to optimize air flow, aerodynamically contoured and elongated to optimize performance and facilitate connection to the relative duct.
- Protective grille (in accordance with UNI ISO 13857 standard) combining the function of motor bracket, made of electrically welded steel with epoxy paint finish, colour black. Easy removal simplifies

maintenance and cleaning of the fan.

- 1 speed three-phase AC motor of external rotor type designed to minimize axial dimensions, with shaft turning in ball bearings, insulation class F, thermal overload protection.
- Dynamically balanced impeller (UNI ISO 1940, Point 1 – Class 6.3); 4 pressed steel blades, electrolytically galvanized and polyester powder-coated, colour black.
- Vortice speed controller.

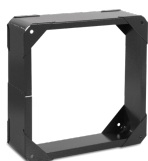
### CURVES



### ACCESSORIES



**IRT 15**  
Code 12923



**DPU 400**  
**(DISTANZIATORE)**  
Code 52451



**PGR 400**  
**(PERSIANA**  
**GRAVITA')**  
Code 50450



**TRA 400**  
**(TELAIO CON**  
**RETE ANTINF.)**  
Code 51450



**Iret Inverter**  
**2,5 M**  
Code 12816



**IRT 35**  
Code 12924

### PER INFORMAZIONI / FOR INFORMATION

ITALY  
Pre Sales:  
prevendita@vortice-italy.com

UNITED KINGDOM & REP. OF  
IRELAND  
Sales Dept:  
sales@vortice.ltd.uk

OTHER COUNTRIES  
Sales Dept:  
export@vortice-italy.com

After Sales:  
postvendita@vortice-italy.com

Technical Dept:  
technical@vortice.ltd.uk

After Sales:  
after-sales@vortice-italy.com