

AR Axial Fans

Low pressure axial duct fan

- Available with AC motors for 50 and 60Hz
- Installation in any position
- Noise and energy optimized impeller

[Find more details in our online catalogue](#)



Flexible

The AR fans are **designed** for extracting air in **low pressure systems**. They can be installed in any position and way according to your demands.

This ensures that the fans can be used in a variety of **commercial** and **industrial** applications.

Performance

The **noise optimized** axial impellers together with the **high efficient** external rotor motors are designed to ensure high-level performance to **minimize power consumption** and **maximize efficiency**.

Features

Construction

The round casing is made of galvanized steel with powder coating in RAL9005.

The **complete** range is provided **with inlet protection grid**. An **outlet protection grid** is **available as accessory**.

Depending on type, the fans are equipped with an external **terminal box**, protection class **IP44** or **IP54**.

Impeller

The AR fans use **axial impellers**. These are made of **coated steel**, **composite** material or **aluminum**, are dynamically **balanced** and are paired with corresponding external rotor motors.

Motor

AR fans are equipped with an **AC external rotor motor**. The motors are suitable for **50Hz** and **60Hz**.

Motor protection

The **AC** motors are equipped with prewired integral **thermal contact** with leads to be connected to a **motor protection unit**.

Control

The **AC motor** can be controlled by **5-step**, **stepless** speed regulator or **frequency inverter**.

Installation

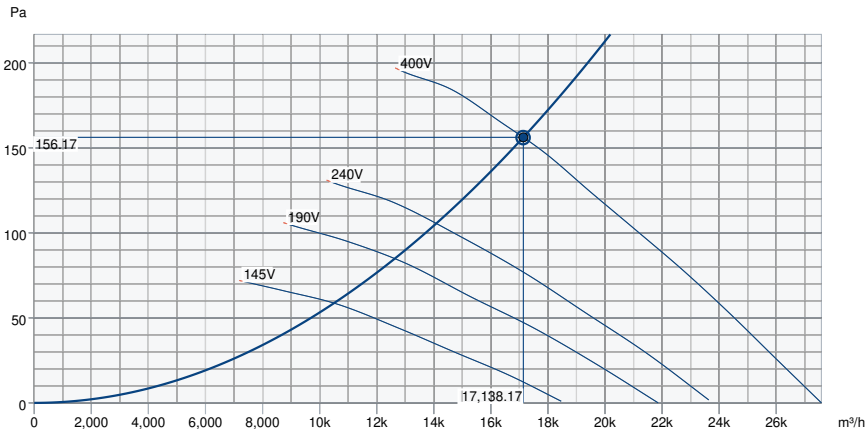
The AR fans can be installed in **any position** in the **duct** in **indoor** environments.

Technical parameters

Nominal data		
Voltage (nominal)	400	V
Frequency	50	Hz
Phases	3~	
Motor circuit connection	Y; D	
Input power	1,950	W
Input power kW	1.95	kW
Input current	4.4	A
Impeller speed	880	rpm
Air flow	max 27,583	m³/h
Air flow at max. efficiency	16,358	m³/h
Specific ratio	1	
Temperature of transported air	max 70	°C
Max temperature of transported air, when speed controlled	70	°C
Protection/Classification		
Enclosure class, motor	IP54	
Insulation class	F	
Data according to ErP		
ErP ready	ErP 2018	
Measurement category	A	
Efficiency grade	45.4	η_{actual}
Efficiency, static	40.8	η_{statA}
Target efficiency grade ErP2013	36	$\eta_{target2013}$
Target efficiency grade ErP2015	40	$\eta_{target2015}$
Dimensions and weights		
Duct dimension; Circular, inlet	900	mm
Duct dimension; Circular, outlet	900	mm
Weight	59	kg
Others		
Duct connection type	Circular	
Color name, casing	Black	
Motor type	AC	

Performance

Performance curve



Hydraulic data

Required air flow	17,129 m³/h
Required static pressure	156 Pa
Working air flow	17,138 m³/h
Working static pressure	156 Pa
Air density	1.204 kg/m³
Power	1,861.5 W
Fan control - RPM	889 rpm
Current	4.35 A
SFP	0.391 kW/m³/s
Control voltage	400.0 V
Supply voltage	400 V

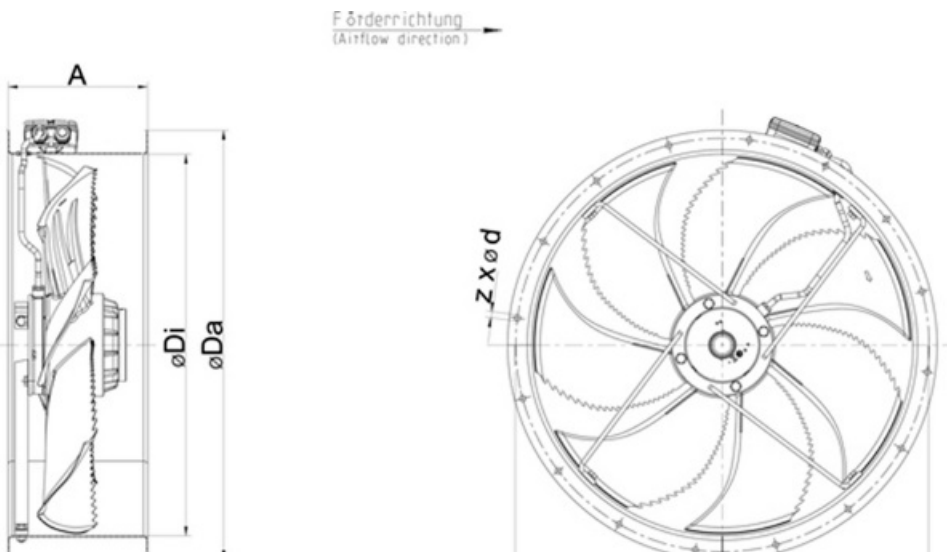
Sound power level		63	125	250	500	1k	2k	4k	8k	Total
Inlet	dB(A)	56	62	72	73	73	71	69	61	79
Outlet	dB(A)	57	62	71	74	73	70	68	60	79

Ecodesign

Ecodesign 327

Manufacturer	Systemair GmbH
Type	AR 910DS
Year of manufacture	See name plate of the fan
Air flow q_v	16,357 m ³ /h
Efficiency category	static
Efficiency grade N	45.4
Efficiency grade target N	40
Speed (rpm) n	888 rpm
Pressure increase total p_{sf}	165 Pa
Power consumption P_{ed}	1,880 W
Overall efficiency	40.8 %
Variable speed drive	No
Additional components	Components used to calculate the energy efficiency that are not apparent from the measurement category are detailed in the CE declaration.
Maintenance	Information on installation, operation and maintenance is provided in the operating instructions.
Recycling / disposal	Information on recycling and disposal is provided in the operating instructions.

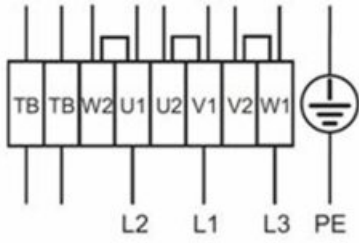
Dimension





	A	$\varnothing Di$	$\varnothing Da$	$\varnothing TK$	z x $\varnothing d$
AR 910DS sileo	330	914	1005	970	16 x $\varnothing 14,5$

Wiring

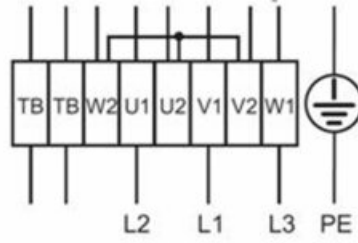


High speed

Low Speed

Δ-Connection

Y-Connection



Accessories

- EV-AR/AXC 900 flex.conn. 70°C (8361)
- Frequency converter FXDM5AM (31387)
- MFA-AXC/AM 900 mounting foot (311292)
- Motor protect. switch S-DT 16E (161207)
- RTRD 7 speed control Systemair (5943)
- SG AXC/AM/AR 900 guard grill (310694)
- Frequency converter FRQS-10A (36232)
- REV-5POL/07-7,5kW B/G (281742)
- Frequency converter FRQ5S-10A (36234)
- GFL-AR/AXC 900 counter flange (8385)
- Motor protect. switch S-DT 16 (161206)
- REV-5POL/07-7,5kW R/Y (33980)
- RTRDU 7 Speed contr. Systemair (5947)
- Step switch S-DT2SKT, Y/D (2697)
- VK-90 Louvre shutter (87713)
- SG-20 AXC900 protection grill (254261)

Documents

- L-BAL-001-SYSTEMAIR.PDF
- EU Declaration of Conformity_002
- installation variations_1_AR_AW.pdf