

AXZENT Centrifugal Fans

Low-maintenance thermo-centrifugal fan solution for duct systems

- For industrial environments
- Up to 120°C medium temperature, continuous operation
- Energy Efficient
- Spun flanges according to Eurovent 1/2

[Find more details in our online catalogue](#)

Robust

The AXZENT series combine the strengths of axial and radial fans for use in demanding professional environments. The thermal centrifugal fan for medium temperatures up to 120°C in continuous operation is reliable in operation, for simple, direct installation in the duct system.

Performance

High performance aluminium impeller together with **high efficient** motors are designed to ensure high-level performance to **minimize power consumption** and **maximize efficiency**.

Accessories

AXZENT can be selected together with variety types of **accessories** as Co2 and temperature controls, speed controllers, silencers, and other options.

Certifications



Green Ventilation

Features

Construction

The long casing is manufactured from pre-galvanized steel and has spun flanges according Eurovent 1/2, for direct installation in duct systems. The motor is outside the air stream.

Impeller

Depending on the type, AXZENT fans are equipped with **AC** or **EC** external rotor motors. Motors are suitable for **50Hz** and **60Hz**.

Motor

Depends on the model AXZENT fans are delivered with **AC motor** or **EC motor**. Motors are suitable for **50Hz** and **60Hz**.

Motor protection

Depending on the type, **AC** motors have an **integrated** thermal protection with manual (electrical) reset, prewired integral **thermocontact TK** or **thermistor PTC** with leads to a **motor protection device**.

Fans with **EC** motors have an **integrated** electronic **thermal protection** including **locked-rotor protection** and **soft-start**.

Control

EC motors with **built-in potentiometer** to adjust working point can be also controlled by external **signal 0-10V**.

EC motors, depending on the type are also equipped with **ModBus** communication **or alarm signal**.

AC motors can be controlled by **5-step, stepless** speed regulator, **D/Y** switch or **frequency converter**.

Installation

The fans can be used **indoor** or with **specific accessories** also **outdoor**. With Spun flanges according Eurovent 1/2, for direct installation in duct systems.

Technical parameters

Nominal data

Voltage (nominal)	400	V
Frequency	50	Hz
Phases	3~	
Input power	1,333	W
Input power kW	1.333	kW
Input current	2.31	A
Impeller speed	2,931	rpm
Air flow	max 4,183	m³/h
Temperature of transported air	max 120	°C
Max temperature of transported air, when speed controlled	120	°C

Sound data

Sound pressure level at 3m (20m² Sabin)	74	dB(A)
---	----	-------

Protection/Classification

Enclosure class, motor	IP55
Insulation class	F

Dimensions and weights

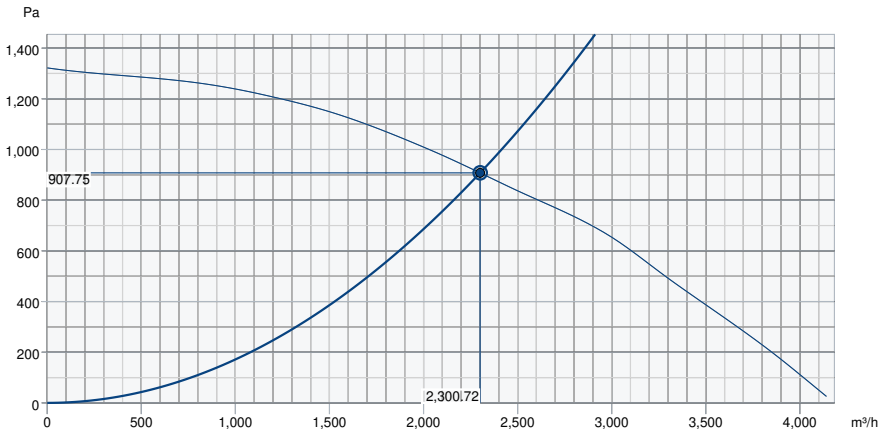
Duct dimension; Circular, inlet	400	mm
Weight	41.2	kg

Others

Motor type	AC
------------	----

Performance

Performance curve



Hydraulic data

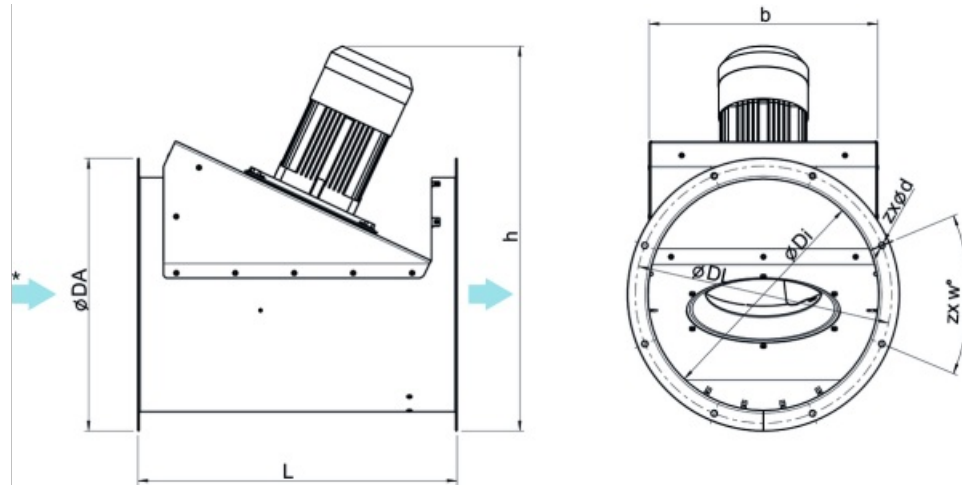
Required air flow	2,301 m³/h
Required static pressure	908 Pa
Working air flow	2,301 m³/h
Working static pressure	908 Pa
Air density	1.204 kg/m³
Power	1,287.6 W
Fan control - RPM	2,935 rpm
Current	2.26 A
SFP	2.015 kW/m³/s
Control voltage	400.0 V
Supply voltage	400 V

Sound power level		63	125	250	500	1k	2k	4k	8k	Total
Inlet	dB(A)	50	66	86	85	82	79	76	70	90
Outlet	dB(A)	51	67	87	86	84	80	77	72	91

AMCA Certified Rating statements

- Catalogue Version:

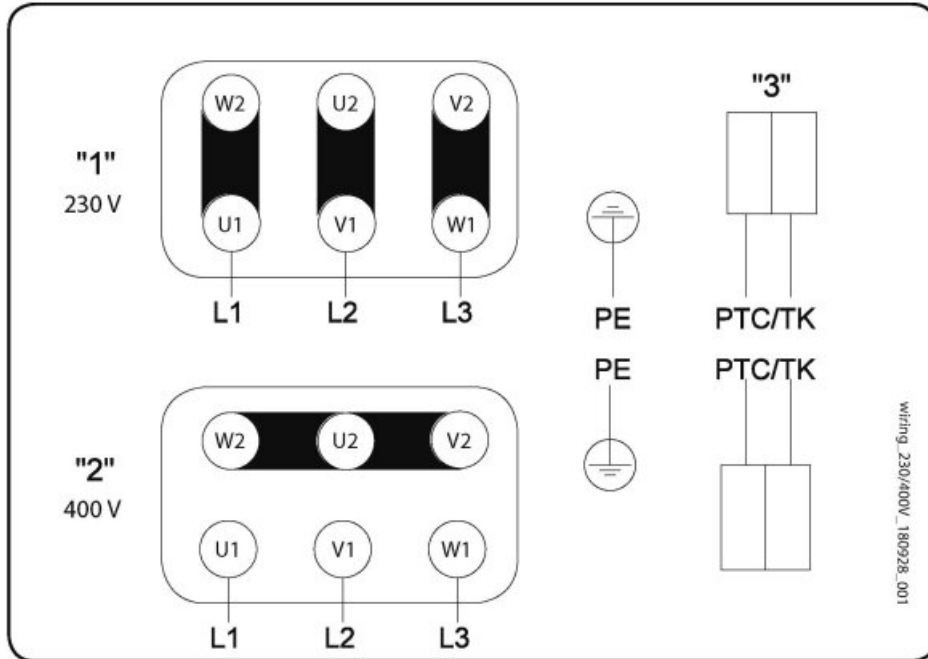
Dimension



*Air direction

	L	ØDA	h	b	ØDI	ØDL	zx w°	zx Ød
AxZent 400D2 IE3	585,7	480	722,5	391,7	400,5	450	8x45°	8xØ12

Wiring



- 1 3 x 230V Delta Connection
 - 2 3 x 400V Star connection
 - 3 PTC / TK
- Changing of direction of rotation by interchanging of two phases

Accessories

- ESD-F 400 inlet cone AXC (305258)
- Frequency converter FRQ-4A (36227)
- Frequency converter FRQ5S-4A (36233)
- FSD1 AXC spring set 4 ≤64kg (311438)
- LRK 400(F) air oper. damper (8318)
- MPR 400 mounting ring AXC (309802)
- REV-9POL/12-7,5kW R/Y (33981)
- RSA 400/600/070 (F) (311353)
- SG AXC/AM/AR 400 guard grill (310687)
- WSD AxZent 400 (37504)
- REV-5POL/07-EMV-7,5kW R/Y (34549)
- SG-20 AXC400 protection grill (254254)
- EVH 400 flex.conn. AXC 400°C (8366)
- Frequency converter FRQ5-4A (36229)
- Frequency converter FRQS-4A (36231)
- GFL-AR/AXC 400 counter flange (8378)
- MFA-AXC/AM 400 mounting foot (311285)
- REV-5POL/05-7,5kW R/Y (33979)
- RSA 400/400/070 (F) (311352)
- RSA 400/800/070 (F) (311354)
- U-EK230E Motor protection (30199)
- ZSD1 AXC spring set 4 ≤64kg (311436)
- REV-9POL/12-7,5kW B/G (281743)

Documents

- MANUAL_AXZENT_EN_002.PDF
- COMMISSIONING REPORT_FANS_160628_EN_001.PDF