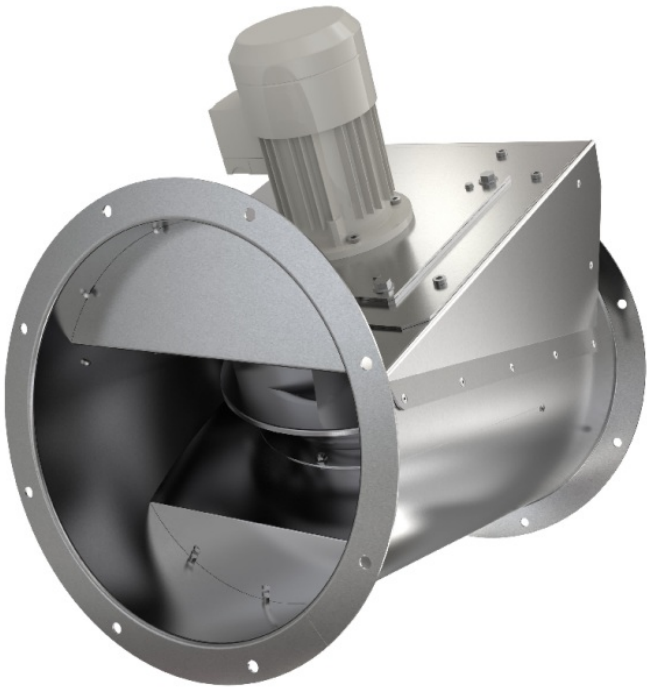


This product is discontinued

This product is discontinued

[Find more details in our online catalogue](#)



## Certifications



Green Ventilation

## Technical parameters

### Nominal data

Voltage (nominal)	400	V
Frequency	50; 60	Hz
Phases	3~	
Input power	730	W
Input power kW	0.73	kW
Input current	1.26	A
Impeller speed	2,414	rpm
Air flow	max 3,438	m³/h
Temperature of transported air	max 120	°C
Max temperature of transported air, when speed controlled	120	°C

### Sound data

Sound pressure level at 3m (20m² Sabin)	66	dB(A)
---	----	-------

### Protection/Classification

Enclosure class, motor	IP55
Insulation class	B

### Dimensions and weights

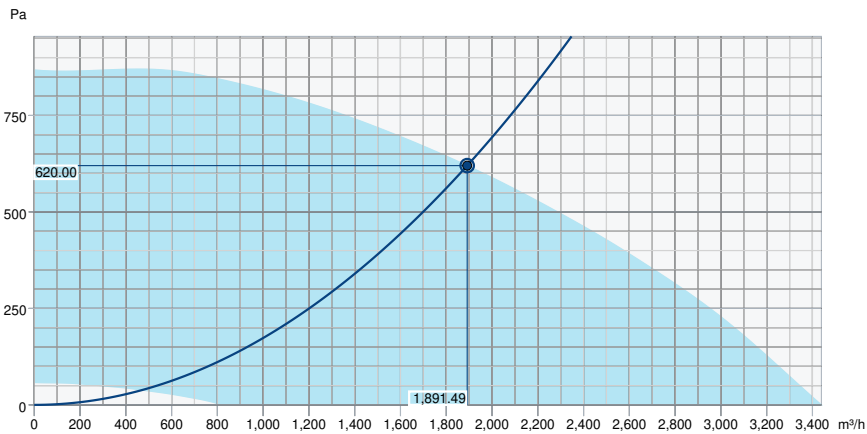
Duct dimension; Circular, inlet	400	mm
Weight	35	kg

### Others

Motor type	EC
------------	----

Performance

Performance curve



Hydraulic data

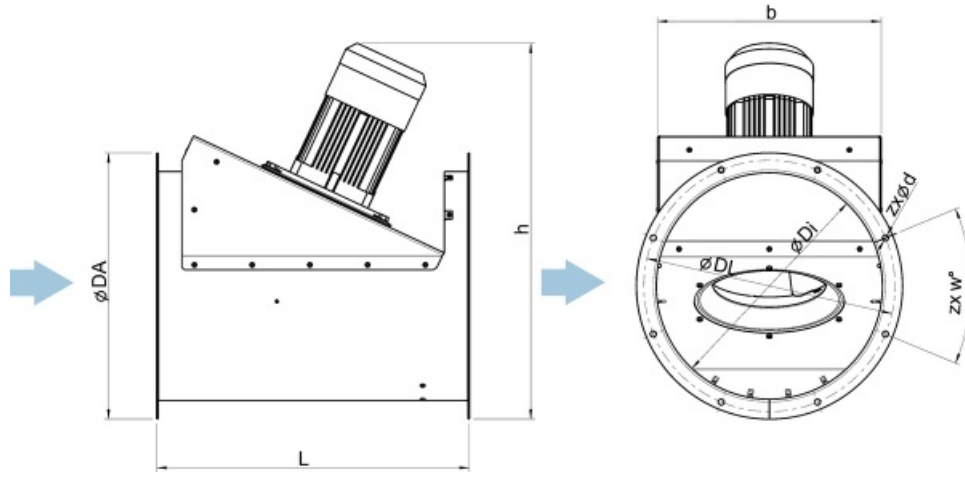
Required air flow	1,891 m³/h
Required static pressure	620 Pa
Working air flow	1,891 m³/h
Working static pressure	620 Pa
Air density	1.204 kg/m³
Power	699.5 W
Fan control - RPM	2,415 rpm
Current	1.22 A
SFP	1.331 kW/m³/s
Control voltage	10.0 V
Supply voltage	400 V

Sound power level		63	125	250	500	1k	2k	4k	8k	Total
Inlet	dB(A)	44	62	79	75	76	73	69	64	83
Outlet	dB(A)	45	64	80	76	77	74	71	65	84
Surrounding	dB(A)	28	56	59	65	63	57	54	48	69
Sound pressure level at 3m (20m² Sabine)	dB(A)	-	-	-	-	-	-	-	-	62
Sound pressure level at 3m free field	dB(A)	-	-	-	-	-	-	-	-	48

AMCA Certified Rating statements

- Catalogue Version:

Dimension



AxZent EC	L	ØDA	h	b	ØDI	ØDL	zx w°	zx Ød
400	585,7	480	635	391,7	400,5	450	8x45°	8xØ12

## Accessories

- EC-Basic-CO2 and temperature (24808)
- EC-Basic-T temperature (24805)
- EC-Vent control board (3115)
- ESD-F 400 inlet cone AXC (305258)
- FSD1 AXC spring set 4 ≤64kg (311438)
- LRK 400(F) air oper. damper (8318)
- MPR 400 mounting ring AXC (309802)
- MTV-1/010 Controller 0..10V+ (30650)
- REV-5POL/05-7,5kW R/Y (35757)
- RSA 400/600/070 (F) (311353)
- SG AXC/AM/AR 400 guard grill (310687)
- WSD AxZent 400 (37504)
- Presence detector/IR24-P (6995)
- REV-5POL/05-7,5kW B/G (281745)
- EC-Basic-H humidity (24807)
- EC-Basic-U universal 0-10V (24806)
- EC-Vent Room Unit (3018)
- EVH 400 flex.conn. AXC 400°C (8366)
- GFL-AR/AXC 400 counter flange (8378)
- MFA-AXC/AM 400 mounting foot (311285)
- MTP 10, 10K, Speed control (32731)
- Potentiometer MTP 20, 0-10V (310220)
- RSA 400/400/070 (F) (311352)
- RSA 400/800/070 (F) (311354)
- Step switch S-5EC-2, 0-10V (449084)
- ZSD1 AXC spring set 4 ≤64kg (311436)
- RT 0-30 Room Thermostat (5151)
- SG-20 AXC400 protection grill (254254)

## Documents

- MANUAL\_AXZENT\_EN\_002.PDF
- COMMISSIONING REPORT\_FANS\_160628\_EN\_001.PDF
- 313887\_DE-EN.PDF