

AXZENT Centrifugal Fans

Low-maintenance thermo-centrifugal fan solution for duct systems

- For industrial environments
- Up to 120°C medium temperature, continuous operation
- Energy Efficient
- Spun flanges according to Eurovent 1/2

[Find more details in our online catalogue](#)

Robust

The AXZENT series combine the strengths of axial and radial fans for use in demanding professional environments. The thermal centrifugal fan for medium temperatures up to 120°C in continuous operation is reliable in operation, for simple, direct installation in the duct system.

Performance

High performance aluminium impeller together with **high efficient** motors are designed to ensure high-level performance to **minimize power consumption** and **maximize efficiency**.

Accessories

AXZENT can be selected together with variety types of **accessories** as Co2 and temperature controls, speed controllers, silencers, and other options.

Certifications



Green Ventilation

Features

Construction

The long casing is manufactured from pre-galvanized steel and has spun flanges according Eurovent 1/2, for direct installation in duct systems. The motor is outside the air stream.

Impeller

Depending on the type, AXZENT fans are equipped with **AC** or **EC** external rotor motors. Motors are suitable for **50Hz** and **60Hz**.

Motor

Depends on the model AXZENT fans are delivered with **AC motor** or **EC motor**. Motors are suitable for **50Hz** and **60Hz**.

Motor protection

Depending on the type, **AC** motors have an **integrated** thermal protection with manual (electrical) reset, prewired integral **thermocontact TK** or **thermistor PTC** with leads to a **motor protection device**.

Fans with **EC** motors have an **integrated** electronic **thermal protection** including **locked-rotor protection** and **soft-start**.

Control

EC motors with **built-in potentiometer** to adjust working point can be also controlled by external **signal 0-10V**.

EC motors, depending on the type are also equipped with **ModBus** communication or **alarm signal**.

AC motors can be controlled by **5-step, stepless** speed regulator, **D/Y** switch or **frequency converter**.

Installation

The fans can be used **indoor** or with **specific accessories** also **outdoor**. With Spun flanges according Eurovent 1/2, for direct installation in duct systems.

Technical parameters

Nominal data

Voltage (nominal)	400	V
Frequency	50	Hz
Phases	3~	
Input power	1,062	W
Input power kW	1.062	kW
Input current	1.89	A
Impeller speed	1,428	rpm
Air flow	max 6,606	m³/h
Temperature of transported air	max 120	°C
Max temperature of transported air, when speed controlled	120	°C

Sound data

Sound pressure level at 3m (20m² Sabin)	63	dB(A)
---	----	-------

Protection/Classification

Enclosure class, motor	IP55
Insulation class	F

Dimensions and weights

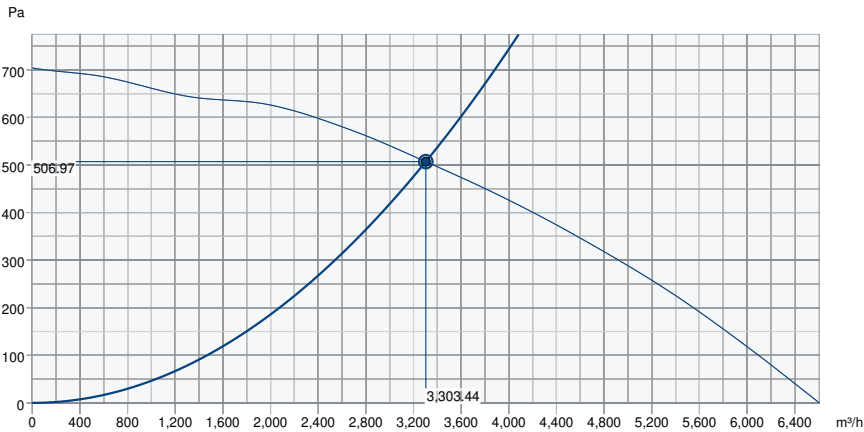
Duct dimension; Circular, inlet	560	mm
Weight	70	kg

Others

Motor type	AC
------------	----

Performance

Performance curve



Hydraulic data

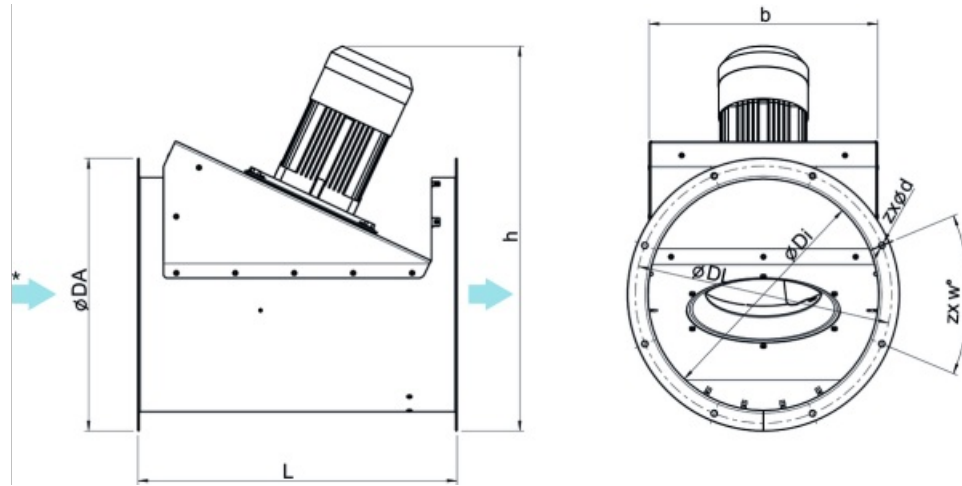
Required air flow	3,304 m³/h
Required static pressure	507 Pa
Working air flow	3,303 m³/h
Working static pressure	507 Pa
Air density	1.204 kg/m³
Power	995.4 W
Fan control - RPM	1,428 rpm
Current	1.79 A
SFP	1.085 kW/m³/s
Control voltage	400.0 V
Supply voltage	400 V

Sound power level		63	125	250	500	1k	2k	4k	8k	Total
Inlet	dB(A)	45	68	70	79	75	76	67	61	82
Outlet	dB(A)	46	69	72	80	77	77	68	62	84

AMCA Certified Rating statements

- Catalogue Version:

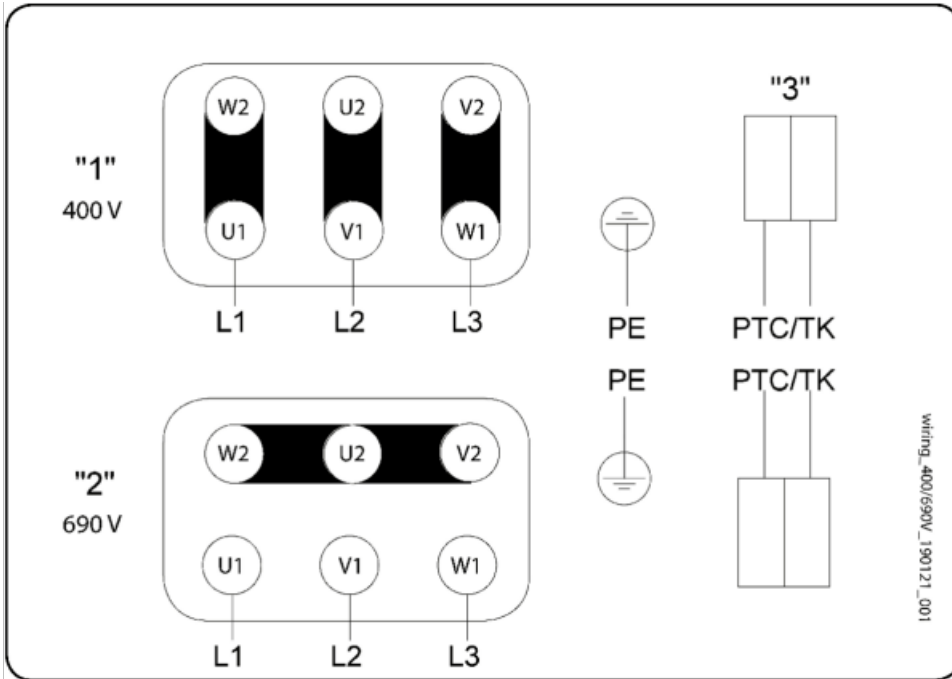
Dimension



*Air direction

	L	ØDA	h	b	ØDI	ØDL	zx w°	zx Ød
AxZent 560D4 IE3	795	650	808,4	558	560,5	620	12x30°	12xØ12

Wiring



Three phase motor with cold conductor

"1" Delta connection

"2" Star connection

"3" Thermal motor protection optional

Changing of direction of rotation by interchanging of two phases

Accessories

- ESD-F 560 inlet cone AXC (305261)
- Frequency converter FRQ-4A (36227)
- Frequency converter FRQ5S-4A (36233)
- Frequency converter FXDM5AM (31387)
- GFL-AR/AXC 560 counter flange (8381)
- MFA-AXC/AM 560 mounting foot (311288)
- REV-5POL/05-7,5kW R/Y (33979)
- RSA 560/560/080 (F) (311361)
- SG AXC/AM/AR 560 guard grill (310690)
- WSD AxZent 560 (37507)
- REV-5POL/07-EMV-7,5kW R/Y (34549)
- EVH 560 flex.conn. AXC 400°C (8369)
- Frequency converter FRQ5-4A (36229)
- Frequency converter FRQS-4A (36231)
- FSD2 AXC spring set 4 ≤112kg (305488)
- LRK 560(F) air oper. damper (8321)
- MPR 560 mounting ring AXC (309805)
- RSA 560/1120/080 (F) (311363)
- RSA 560/840/080 (F) (311362)
- U-EK230E Motor protection (30199)
- ZSD2 AXC spring set 4 ≤112kg (308600)
- SG-20 AXC560 protection grill (254257)

Documents

- MANUAL_AXZENT_EN_002.PDF
- COMMISSIONING REPORT_FANS_160628_EN_001.PDF