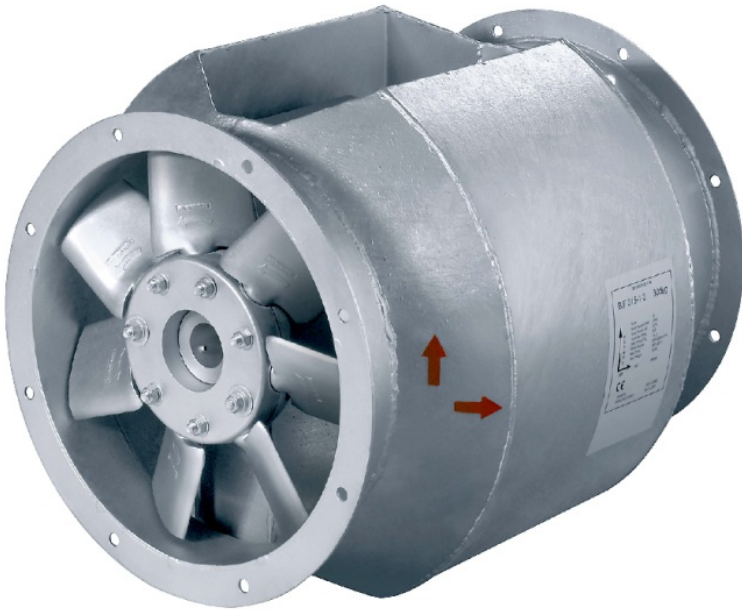


## AXCBF Axial Fans

### Bifurcated axial fan for high temperature extraction

- Up to 200°C
- Bifurcated casing
- Performance tested

[Find more details in our online catalogue.](#)



#### Application

The bifurcated build of the AXCBF range is designed for the extraction of dirty, humid and hot air up to 200°C.

#### Sturdy and dependable design

Corrosion-proof **aluminum impellers**, **IE3** high-efficiency **motors** and a **hot-dip galvanized steel casing** ensure **high quality** and a **long life time**.

#### Tested according to ISO 5801 and AMCA 210

The AXC axial fans have been **performance tested** in accordance with **ISO 5801** and **AMCA 210** standards on the Systemair fan test rig.

#### Certifications



Green Ventilation

## Features

### Construction

The **bifurcated casing** is made from **hot-dip galvanised steel** according to ISO 1461 with **pre-drilled flanges**. The terminal box with **IP 65** is mounted outside on the casing.

### Impeller

The impellers are made of **aluminum** and are **dynamically balanced** in accordance with ISO 21940-11, balancing quality G6,3, and vibration limits according to ISO 14694.

### Motor

Standard models are driven by three-phase **AC motors** with efficiency **IE3** suitable for **50Hz**.  
The motor is **outside** the **airflow**.

### Motor protection

The **motors** are equipped with **PTC thermistors** for motor protection.

### Control

Motors can be speed controlled by **frequency inverter** between 10 and 60 Hz.

### Installation

The **AXCBF** fans can be installed in different positions **indoor** and **outdoor** (for more information see the manual).  
Recommended **accessories**: flexible connections, vibration dampers, mounting feet.

## Technical parameters

### Nominal data

Voltage (nominal)	400	V
Frequency	50	Hz
Phases	3~	
Motor circuit connection	D; Y	
Input power	946	W
Input power kW	0.946	kW
Nominal power at shaft (P2)	1.1	kW
Input current	2.48	A
Impeller speed	1,445	rpm
Air flow	max 6,862	m³/h
Temperature of transported air	max 200	°C

### Sound data

Sound pressure level at 1m	87	dB
----------------------------	----	----

### Protection/Classification

Enclosure class, motor	IP55
Insulation class	F

### Ambient and duct temperature

Permitted ambient temperature	max 55	°C
-------------------------------	--------	----

### Dimensions and weights

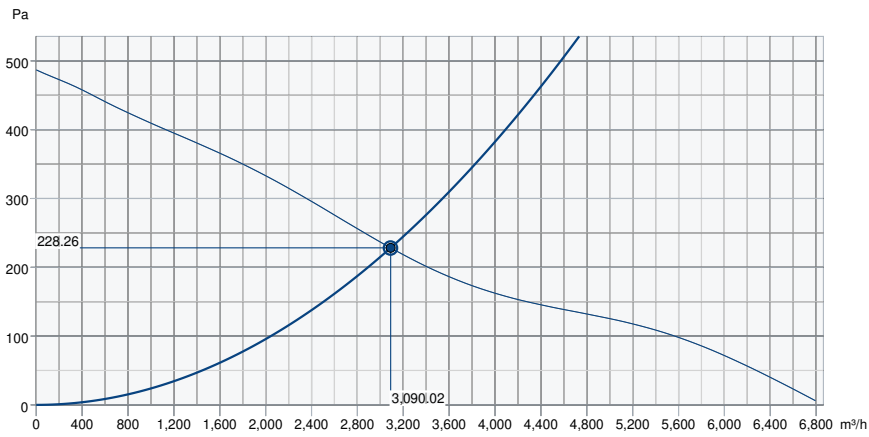
Duct dimension; Circular, inlet	500	mm
Duct dimension; Circular, outlet	500	mm
Weight	66	kg

### Others

Duct connection type	Circular
Motor type	AC

## Performance

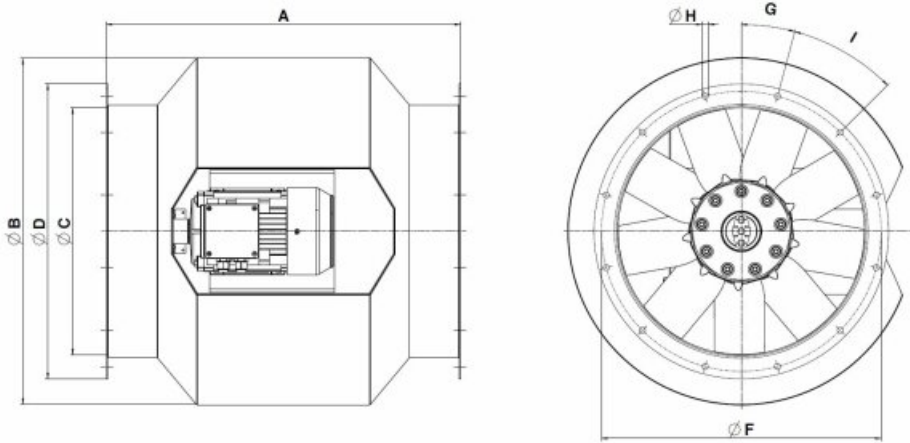
### Performance curve



#### Hydraulic data

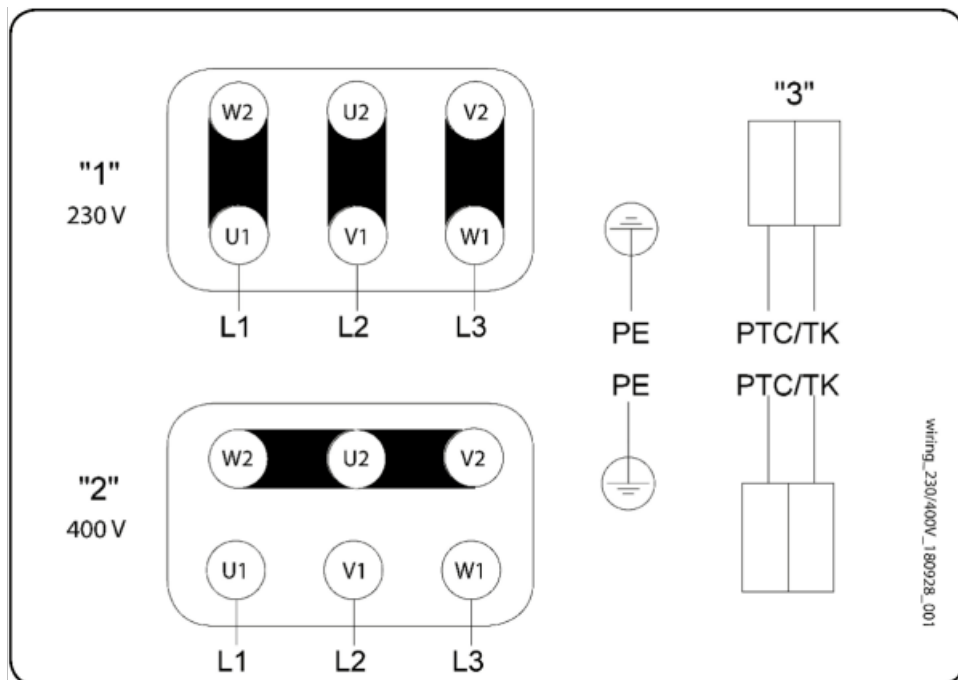
Required air flow	3,088 m³/h
Required static pressure	228 Pa
Working air flow	3,090 m³/h
Working static pressure	228 Pa
Air density	1.204 kg/m³
Power	778.8 W
Fan control - RPM	1,456 rpm
Current	2.00 A
SFP	0.907 kW/m³/s
Control voltage	400.0 V
Supply voltage	400 V

**Dimension**



	A	Ø B	Ø C	Ø D	Ø F	G	Ø H	I
AXCBF 500	660	695	500	590	560	15,0°	12	12 x 30°

## Wiring



230/400V motor

"1" 3 x 230V Delta connection

"2" 3 x 400V Star connection

"3" Thermal motor protection optional

See motor name plate!

## Accessories

- EVH 500 flex.conn. AXC 400°C (8368)
- Frequency converter FRQ5-4A (36229)
- Frequency converter FRQS-4A (36231)
- GFL-AR/AXC 500 counter flange (8380)
- MFA-AXCBF 500 mounting foot (308727)
- RSA 500/1000/080 (F) (311360)
- RSA 500/750/080 (F) (311359)
- U-EK230E Motor protection (30199)
- REV-9POL/12-7,5kW B/G (281743)
- Frequency converter FRQ-4A (36227)
- Frequency converter FRQ5S-4A (36233)
- FSD2 AXC spring set 4 ≤112kg (305488)
- LRK 500(F) air oper. damper (8320)
- REV-9POL/12-7,5kW R/Y (33981)
- RSA 500/500/080 (F) (311358)
- SG AXC/AM/AR 500 guard grill (310689)
- FC102-1,1kW/3A-IP55, 150/50m (36158)
- SG-20 AXC500 protection grill (254256)

## Documents

- technical-documentation-manuals\_308013\_EN\_015