

AXCBF Axial Fans

Bifurcated axial fan for high temperature extraction

- Up to 200°C
- Bifurcated casing
- Performance tested

[Find more details in our online catalogue.](#)

Application

The bifurcated build of the AXCBF range is designed for the extraction of dirty, humid and hot air up to 200°C.

Sturdy and dependable design

Corrosion-proof **aluminum impellers**, **IE3** high-efficiency **motors** and a **hot-dip galvanized steel casing** ensure **high quality** and a **long life time**.

Tested according to ISO 5801 and AMCA 210

The AXC axial fans have been **performance tested** in accordance with **ISO 5801** and **AMCA 210** standards on the Systemair fan test rig.

Certifications



Green Ventilation

Features

Construction

The **bifurcated casing** is made from **hot-dip galvanised steel** according to ISO 1461 with **pre-drilled flanges**. The terminal box with **IP 65** is mounted outside on the casing.

Impeller

The impellers are made of **aluminum** and are **dynamically balanced** in accordance with ISO 21940-11, balancing quality G6,3, and vibration limits according to ISO 14694.

Motor

Standard models are driven by three-phase **AC motors** with efficiency **IE3** suitable for **50Hz**.
The motor is **outside** the **airflow**.

Motor protection

The **motors** are equipped with **PTC thermistors** for motor protection.

Control

Motors can be speed controlled by **frequency inverter** between 10 and 60 Hz.

Installation

The **AXCBF** fans can be installed in different positions **indoor** and **outdoor** (for more information see the manual).
Recommended **accessories**: flexible connections, vibration dampers, mounting feet.

Technical parameters

Nominal data

Voltage (nominal)	400	V
Frequency	50	Hz
Phases	3~	
Motor circuit connection	D; Y	
Input power	1,844	W
Input power kW	1.844	kW
Nominal power at shaft (P2)	2.2	kW
Input current	4.52	A
Impeller speed	1,440	rpm
Air flow	max 12,398	m³/h
Temperature of transported air	max 200	°C

Sound data

Sound pressure level at 1m	94	dB
----------------------------	----	----

Protection/Classification

Enclosure class, motor	IP55
Insulation class	F

Ambient and duct temperature

Permitted ambient temperature	max 55	°C
-------------------------------	--------	----

Dimensions and weights

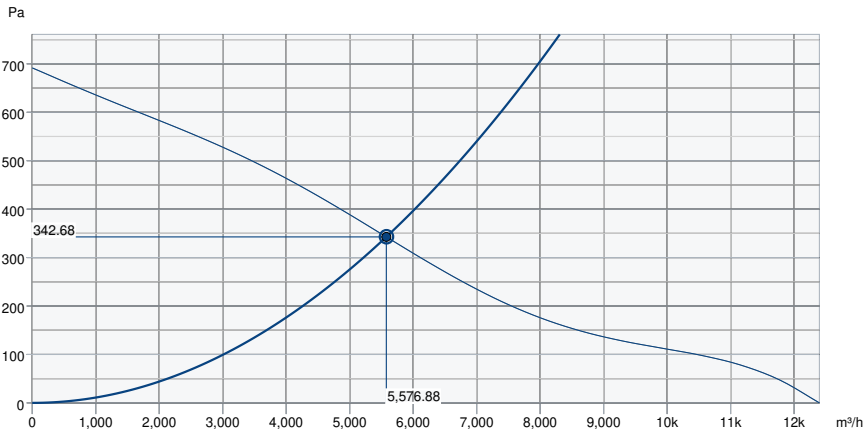
Duct dimension; Circular, inlet	630	mm
Duct dimension; Circular, outlet	630	mm
Weight	90.8	kg

Others

Duct connection type	Circular
Motor type	AC

Performance

Performance curve



Hydraulic data

Required air flow	5,579 m³/h
Required static pressure	343 Pa
Working air flow	5,577 m³/h
Working static pressure	343 Pa
Air density	1.204 kg/m³
Power	1,921.8 W
Fan control - RPM	1,445 rpm
Current	4.00 A
SFP	1.241 kW/m³/s
Control voltage	400.0 V
Supply voltage	400 V

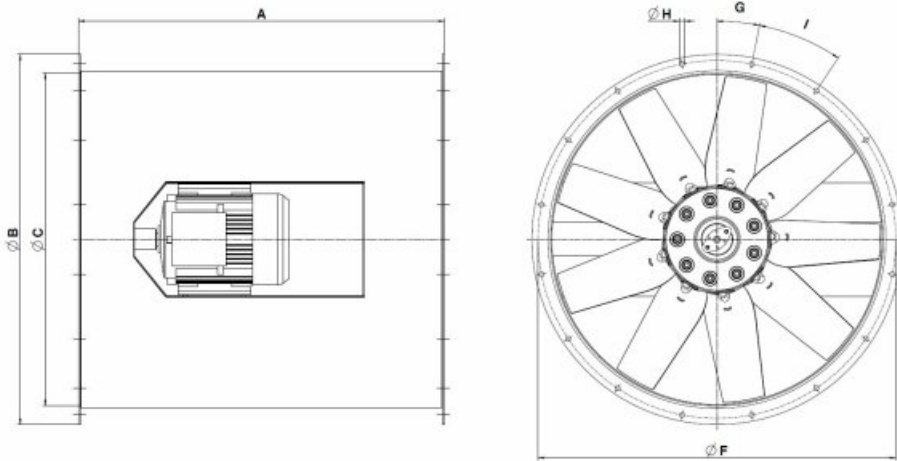
Acoustic

Mid-frequency band, Hz

	Hz	Tot	63	125	250	500	1k	2K	4K	8K
LwA inlet /outlet	dB(A)	94	66	76	84	89	89	86	82	75

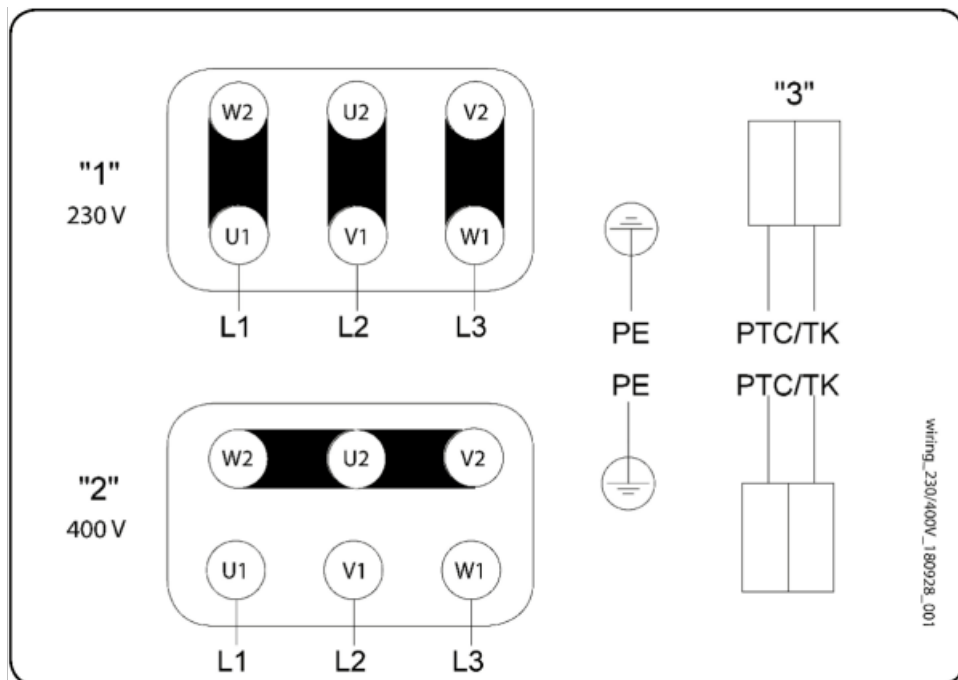
Measuring point: $q_v = 1,77 \text{ m}^3/\text{s}$, $P_s = 282 \text{ Pa}$

Dimension



	A	Ø B	Ø C	Ø F	G	Ø H	I
AXCBF 630	790	728	630	690	15,0°	12	12 x 30°

Wiring



230/400V motor

"1" 3 x 230V Delta connection

"2" 3 x 400V Star connection

"3" Thermal motor protection optional

See motor name plate!

Accessories

- EVH 630 flex.conn. AXC 400°C (8370)
- Frequency converter FRQ5-10A (36230)
- FSD2 AXC spring set 4 ≤112kg (305488)
- LRK 630(F) air oper. damper (8322)
- REV-9POL/12-7,5kW R/Y (33981)
- RSA 630/630/080 (F) (311364)
- SG AXC/AM/AR 630 guard grill (310691)
- FC102-2,2kW/5,6A-IP55, 150/50m (36160)
- REV-9POL/12-7,5kW B/G (281743)
- Frequency converter FRQ-10A (36228)
- Frequency converter FRQ5S-10A (36234)
- GFL-AR/AXC 630 counter flange (8382)
- MFA-AXC/AM 630 mounting foot (311289)
- RSA 630/1260/080 (F) (311368)
- RSA 630/945/080 (F) (311365)
- U-EK230E Motor protection (30199)
- Frequency converter FRQS-10A (36232)
- SG-20 AXC630 protection grill (254258)

Documents

- [technical-documentation-manuals_308013_EN_015](#)