

ELKI 6035 E2 11

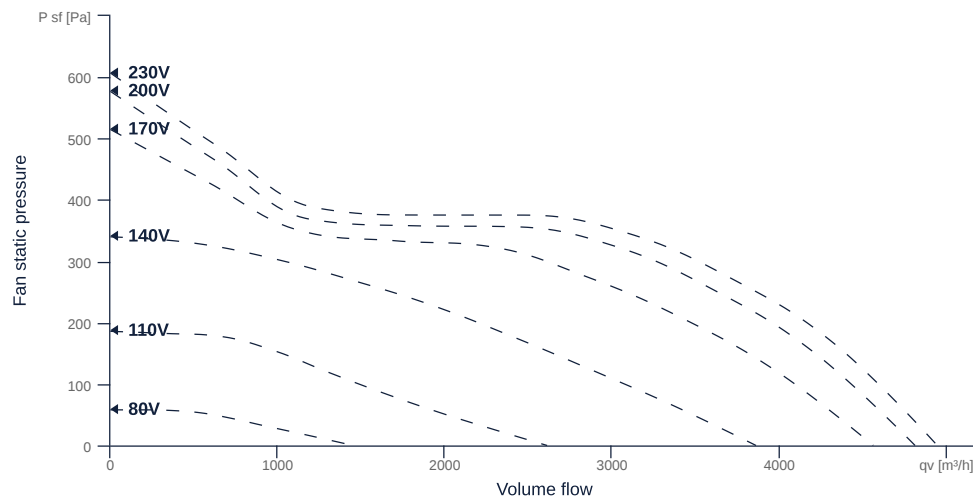
127734

- Energy efficient diagonal fan
- Optimally tuned and CFD-optimized aerodynamics
- Soundproof housing made of galvanized sheet steel
- Removable fan unit
- Robust single phase AC motor, voltage controllable
- Integrated thermal switch



MAP

Name	Value	Unit
Volume flow	0	m ³ /h
Pressure	0	Pa



zur Produktseite

ELKI 6035 E2 11

127734

ruck

GENERAL DATA

Name	Value	Unit	Formula symbol
ERP conformity	Yes		
Certifications	CE, UKCA		
Duct size	600x350		WxH _{duct}
Pipe connection size (DN)	-		DN
Rated voltage (entire device)	230	V	U _{rated}
Phases (entire device)	1~		phase
Electrical protection (entire device)	6 A		fuse
Housing material	Galvanized steel		mat _{casing}
Impeller material	Plastic		mat _{impeller}
IP-protection class (entire device)	IPX4		IP _{compl}
IP-Protection class (terminal box)	IP44		IP _{ebox}
Weight	26.4	kg	m
Nominal air flow rate, nominal point m ³ /h	4132.8	m ³ /h	q _{v,nom}
Nominal external pressure, static	202	Pa	p _{s,nom}
Fan type	Diagonal		Fan _{type}
Category / Installation situation	A		cat

ERP DATA (LOT 6)

Name	Value	Unit	Formula symbol
Nominal air flow rate, nominal point m ³ /s	1.15	m ³ /s	q _{v,nom}
Actual electrical input power, nominal point	0.56	kW	P _{e,nom}
Face velocity, nominal point	5.46	m/s	v _{nom}
Nominal external pressure, static	202	Pa	p _{s,nom}
supply air fan static efficiency, nominal point	50.5	%	η _{es,SUP}
Enclosure sound level, nominal point	67	dB(A)	L _{WA2}
Rating	Product is compliant 2018		



zur Produktseite

ELKI 6035 E2 11

127734

ruck

MAXIMAL DATA

Name	Value	Unit	Formula symbol
Max. power consumption (device)	562	W	$P_{ed, max}$
Max. operating current (device)	3.32	A	$I_{ed, max}$
Max. speed	2870	1/min	n_{max}
Max. stat. efficiency	50.3	%	η_{es}
Max. fan efficiency	51.7	%	η_e
Max. flowrate	4940	m ³ /h	q_v, max
Max. stat pressure	610	Pa	$p_{sf, max}$
Max. medium temperature	55	°C	T_m, max
Max. environment temperature	55	°C	$T_{amb, max}$
Min. environment temperature	-25	°C	$T_{amb, min}$
Min. voltage	80	V	U_{min}

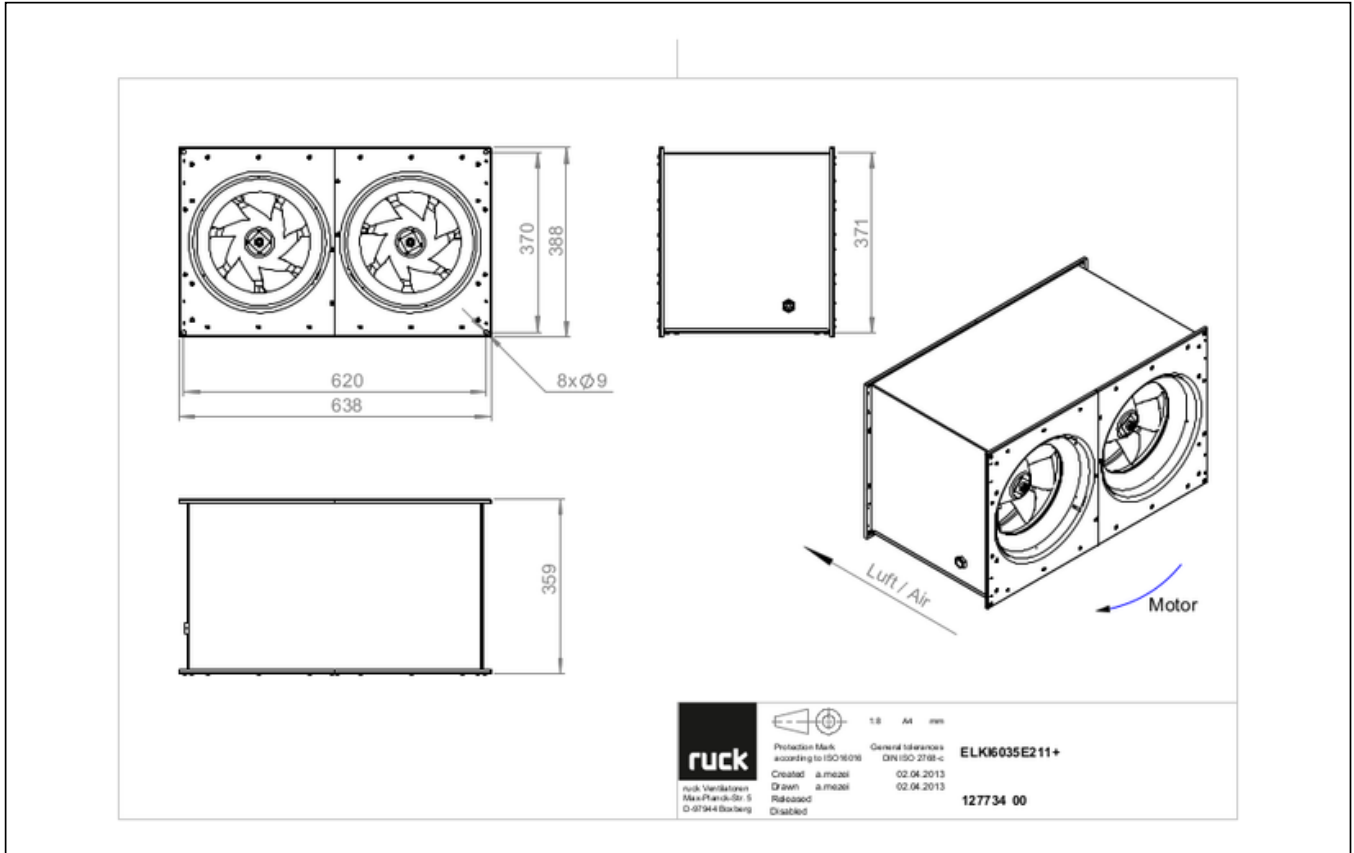


zur Produktseite

ELKI 6035 E2 11

127734

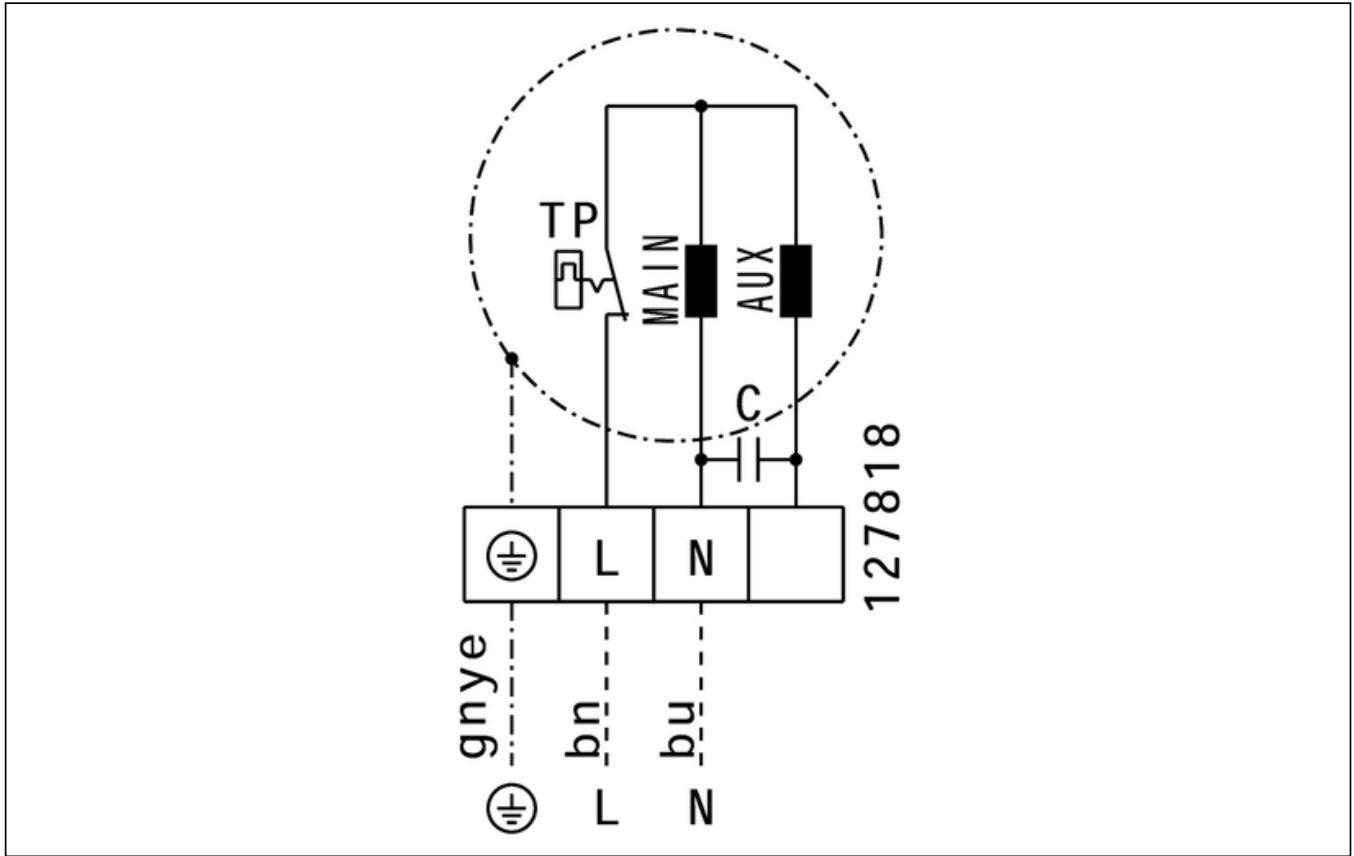
SCHALTPLÄNE / MASSZEICHNUNGEN



zur Produktseite

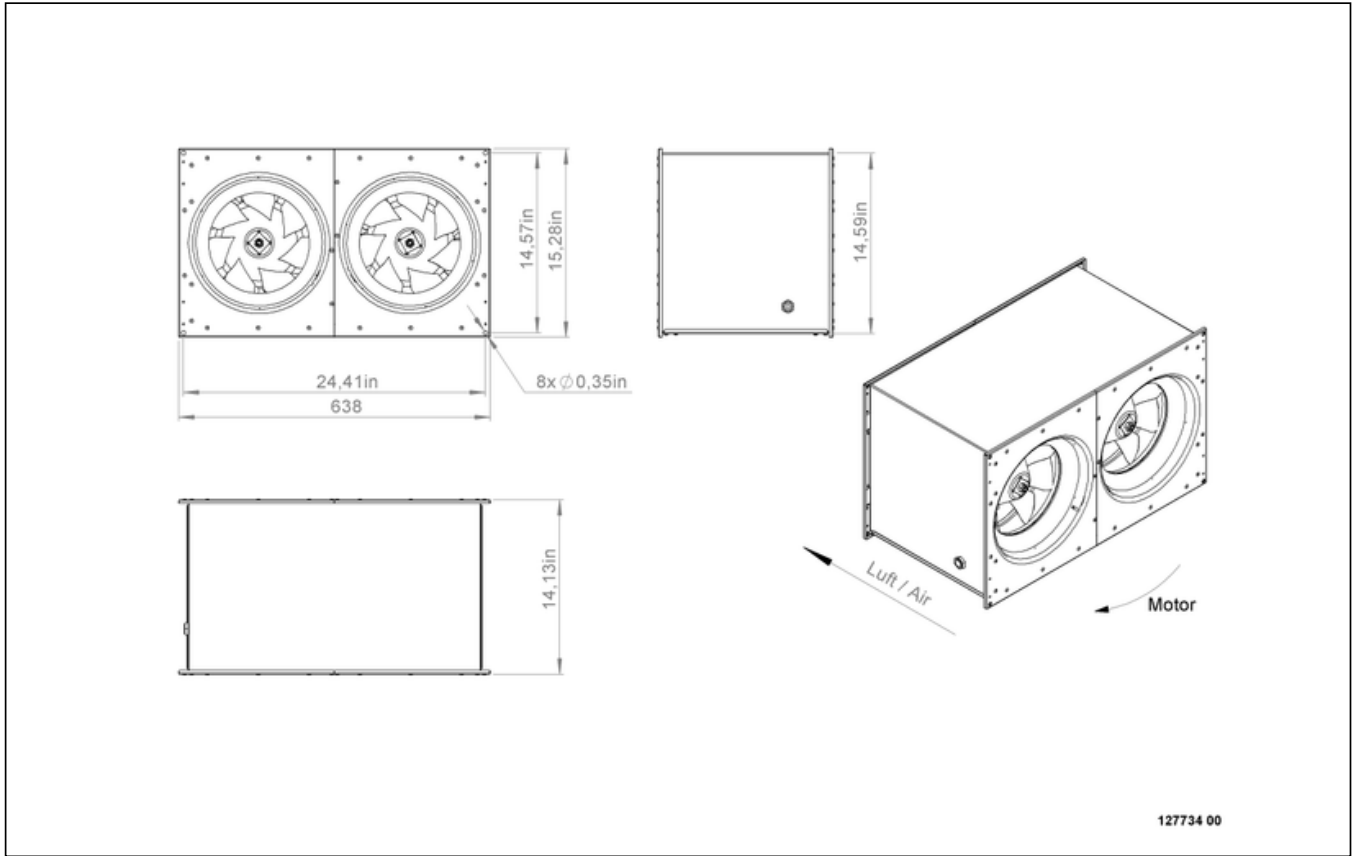
ELKI 6035 E2 11

127734



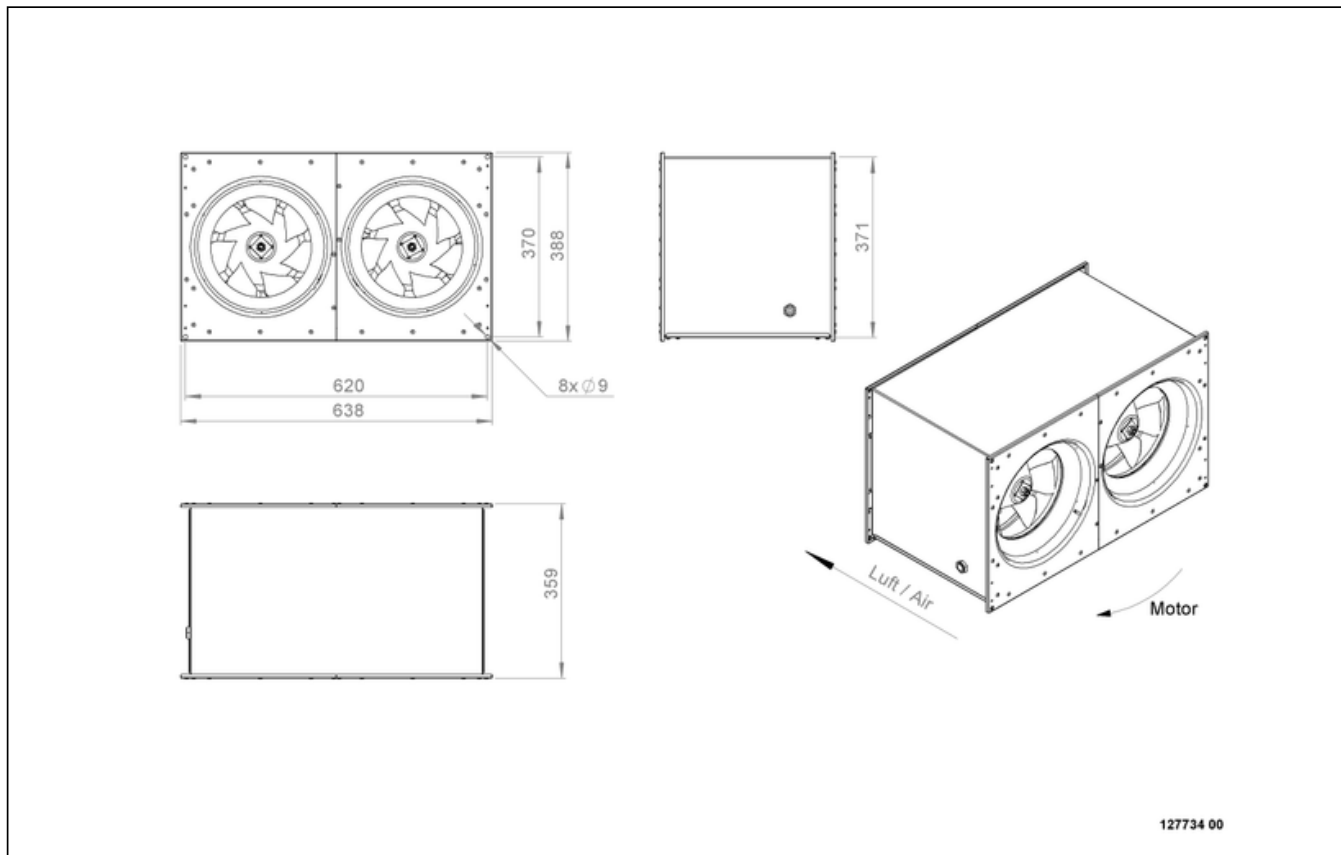
ELKI 6035 E2 11

127734



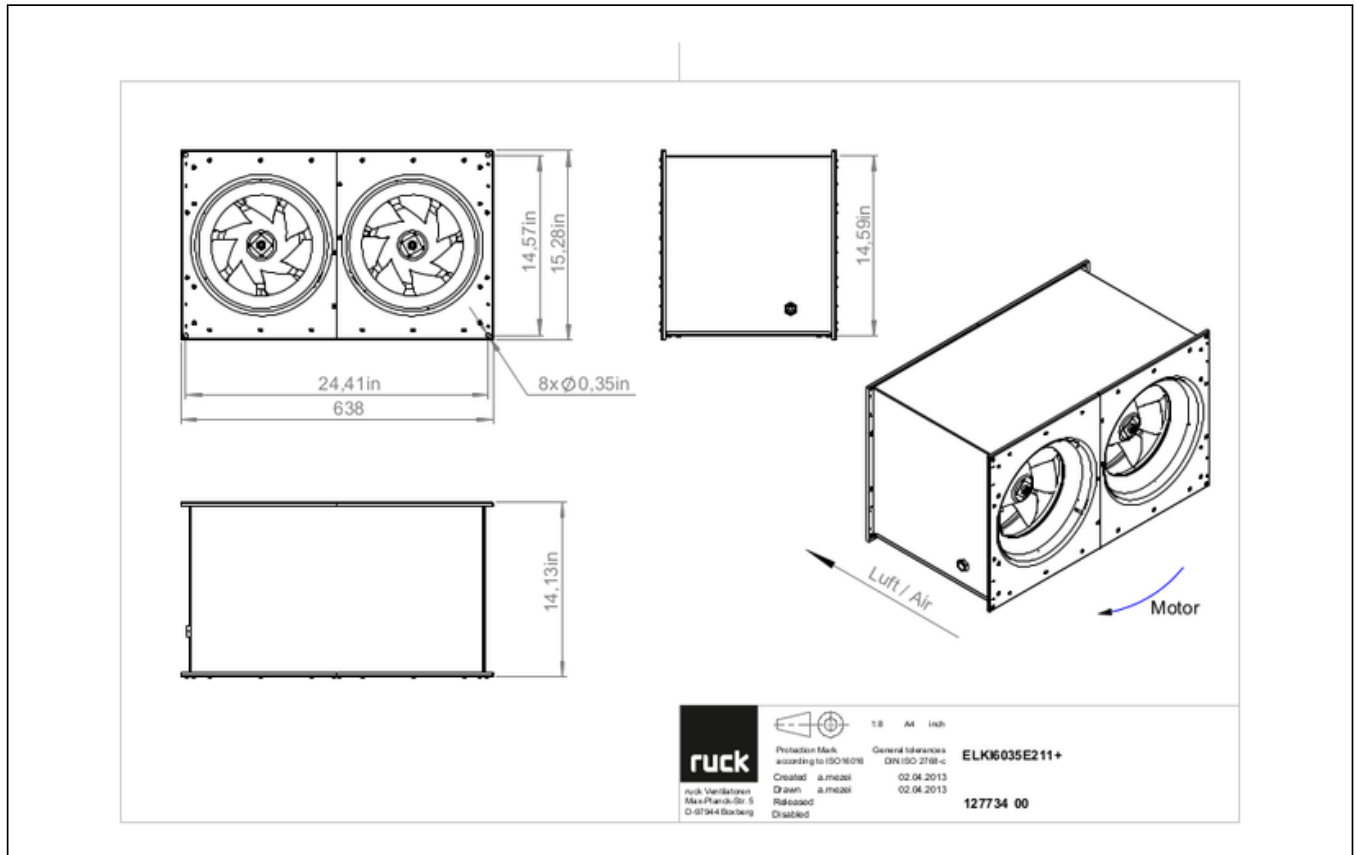
ELKI 6035 E2 11

127734



ELKI 6035 E2 11

127734



MECHANICAL ACCESSORIES

VS 6035 | 102808



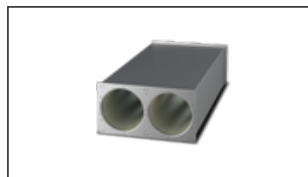
- Duct connector, flexible
- Standard profile flange P20
- Galvanized steel sheet, plastic band (PVC)
- Temperature resistant up to 70 °C

VKK 6035 | 103892



- Automatic shutter
- Plastic, weather resistant
- Temperature resistant up to 70 °C

SDE 6035 L02 | 127751



- Duct silencer
- Sendzimir galvanized sheet steel housing
- Sound absorption by mineral wool with fleece covering on air side
- 20 mm flange profiles



ELKI 6035 E2 11

127734

ELECTRICAL ACCESSORIES

GS 01 | 102787



- Isolator switch
- $U_{max} = 400\text{ V}$, 50/60 Hz
- Switching capacity 400 V 3~ = 5,5 kW
- $I_{max} = 16\text{ A}$

TEM 035 | 103502



- 5-step transformer
- 230 V, 50/60 Hz, 3,5 A
- Output voltage: 230-190-170-140-110-80-0 V
- Protection class IP 54

TEM 035V | 136273



- 5-step transformer
- 230 V ~, 50/60 Hz

TES 035 02 | 146195



- 5-step transformer
- 230 V, 50/60 Hz, 3,5 A
- Without housing, control cabinet installation
- Protection class IP 20



zur Produktseite