

EMKI 6030 EC 20

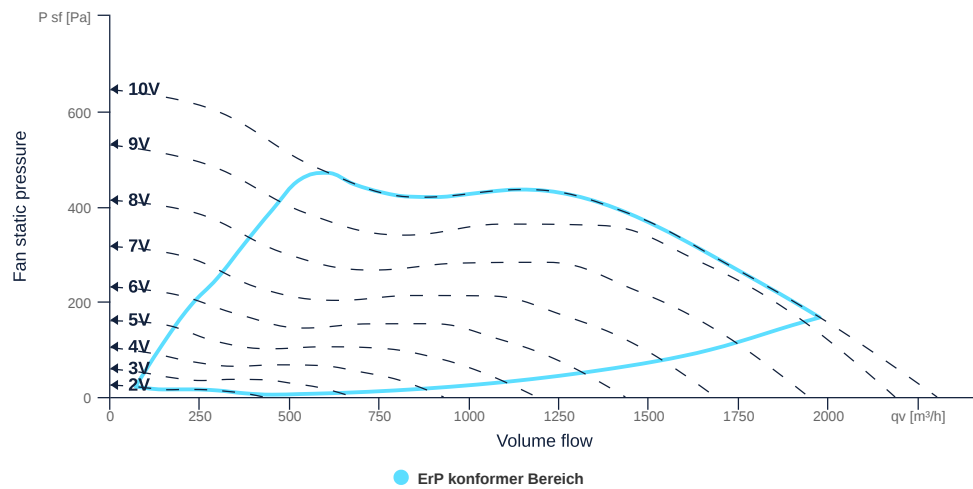
136744

- Efficiency optimized diagonal fan
- Optimally tuned and CFD-optimized aerodynamics
- Soundproof housing made of galvanized sheet steel
- High efficiency EC motor, steplessly controllable
- Conveyed medium temperature up to 45 °C in continuous operation
- Fan unit removable via inspection cover



MAP

Name	Value	Unit
Volume flow	0	m³/h
Pressure	0	Pa



zur Produktseite

EMKI 6030 EC 20

136744

ruck

GENERAL DATA

Name	Value	Unit	Formula symbol
ERP conformity	Yes		
Certifications	CE, UKCA		
Duct size	600x300		WxH _{duct}
Pipe connection size (DN)	-		DN
Rated voltage (entire device)	230	V	U _{rated}
Phases (entire device)	1~		phase
Electrical protection (entire device)	6 A		fuse
Housing material	Galvanized steel		mat _{casing}
Impeller material	Plastic		mat _{impeller}
Weight	17.94	kg	m
Nominal air flow rate, nominal point m ³ /h	1436.4	m ³ /h	q _{v,nom}
Nominal external pressure, static	388.3	Pa	p _{s,nom}
Fan type	Diagonal		Fan _{type}
Category / Installation situation	A		cat

ERP DATA (LOT 6)

Name	Value	Unit	Formula symbol
Nominal air flow rate, nominal point m ³ /s	0.4	m ³ /s	q _{v,nom}
Actual electrical input power, nominal point	0.27	kW	P _{e,nom}
Face velocity, nominal point	2.2	m/s	v _{nom}
Nominal external pressure, static	388.3	Pa	p _{s,nom}
supply air fan static efficiency, nominal point	65.1	%	η _{es,SUP}
Enclosure sound level, nominal point	69	dB(A)	L _{WA2}
Rating	Product is compliant 2018		

zur Produktseite



MAXIMAL DATA

Name	Value		Unit	Formula symbol
	50 Hz	60 Hz		
Max. power consumption (device)	270	270	W	$P_{ed, max}$
Max. operating current (device)	1.88	1.88	A	$I_{ed, max}$
Max. speed	3240	3240	1/min	n_{max}
Max. stat. efficiency	54.3	54.3	%	η_{es}
Max. fan efficiency	54.7	54.7	%	η_e
Max. flowrate	2300	2300	m ³ /h	Q_v, max
Max. stat pressure	645	645	Pa	$p_{st, max}$
Max. medium temperature	45	45	°C	$T_{m, max}$
Max. environment temperature	45	45	°C	$T_{amb, max}$
Min. environment temperature	-30	-30	°C	$T_{amb, min}$
Min. voltage	230	230	V	U_{min}

MOTOR DATA

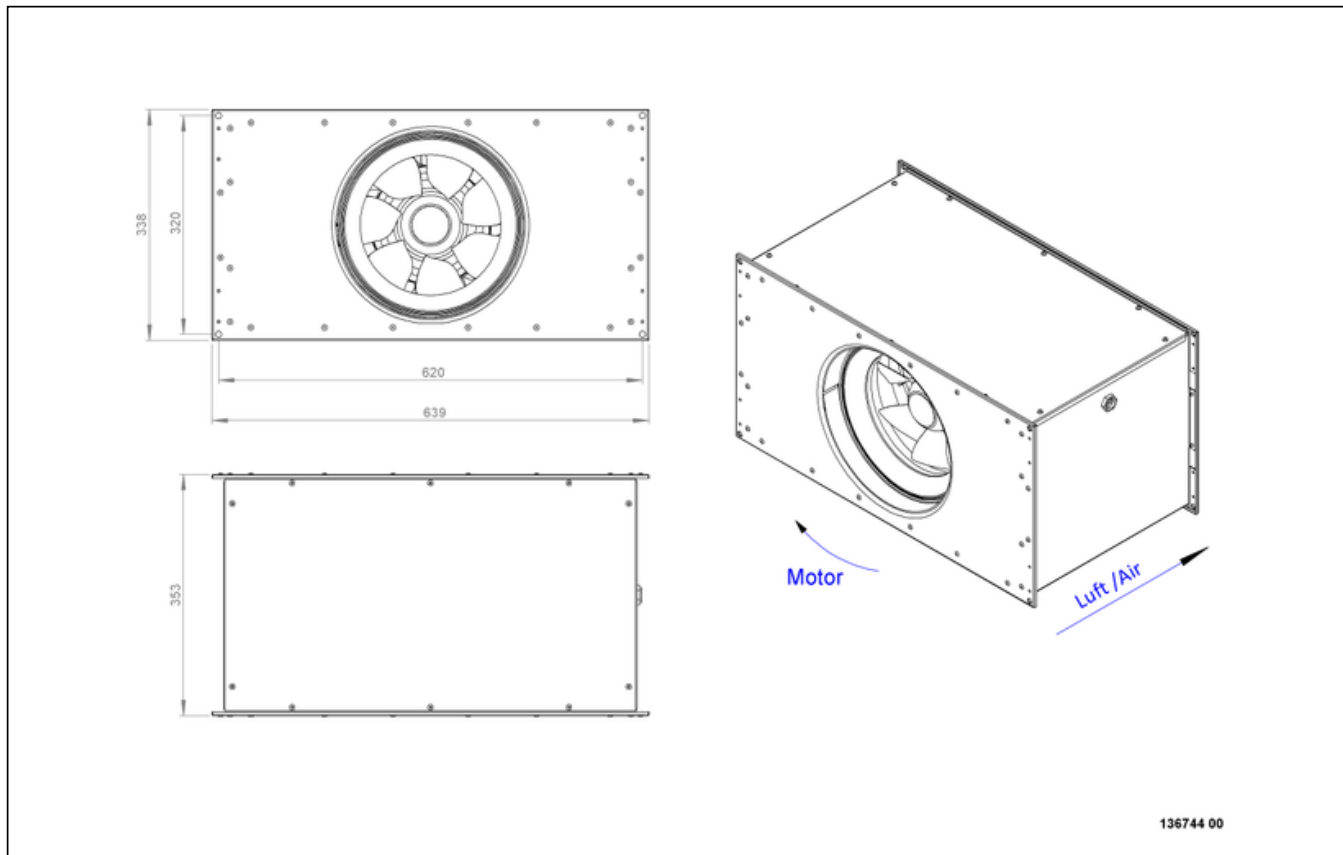
Name	Value		Unit	Formula symbol
	50 Hz	60 Hz		
Rated frequency (device)		50		f
Motor type		EC		phase
Control type		stepless-controlled		ctrltype
Installation type		ORM (Out)		install
Rotation direction		right		rotation
Isolation class		ISO F		ISOclass
Motor-protection		TEC		protectmotor
Protection class		IP33		IPmotor
Is pole-changeable		No		polexch
Type of power supply		AC 1~		pwrSUPmotor
Rated voltage	230	230	V	$U_{rated, f1}$
Rated current	1.72	1.72	A	$I_{rated, f1}$
Shaft power	267	267	W	$P_{out, f1}$
Speed	3047	3047	1/min	n_{f1}
Min. temperature	-30	-30	°C	$T_{motor, min}$
UL-Certification motor		None		ULcert



EMKI 6030 EC 20

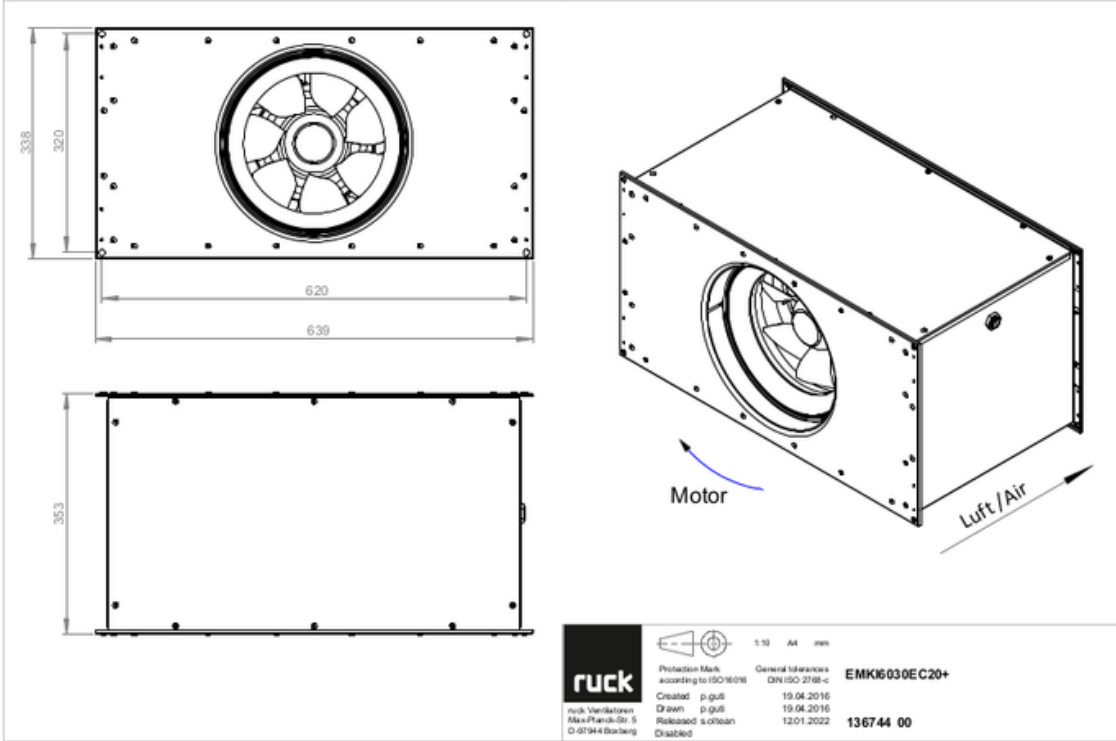
136744

SCHALTPLÄNE / MASSZEICHNUNGEN



EMKI 6030 EC 20

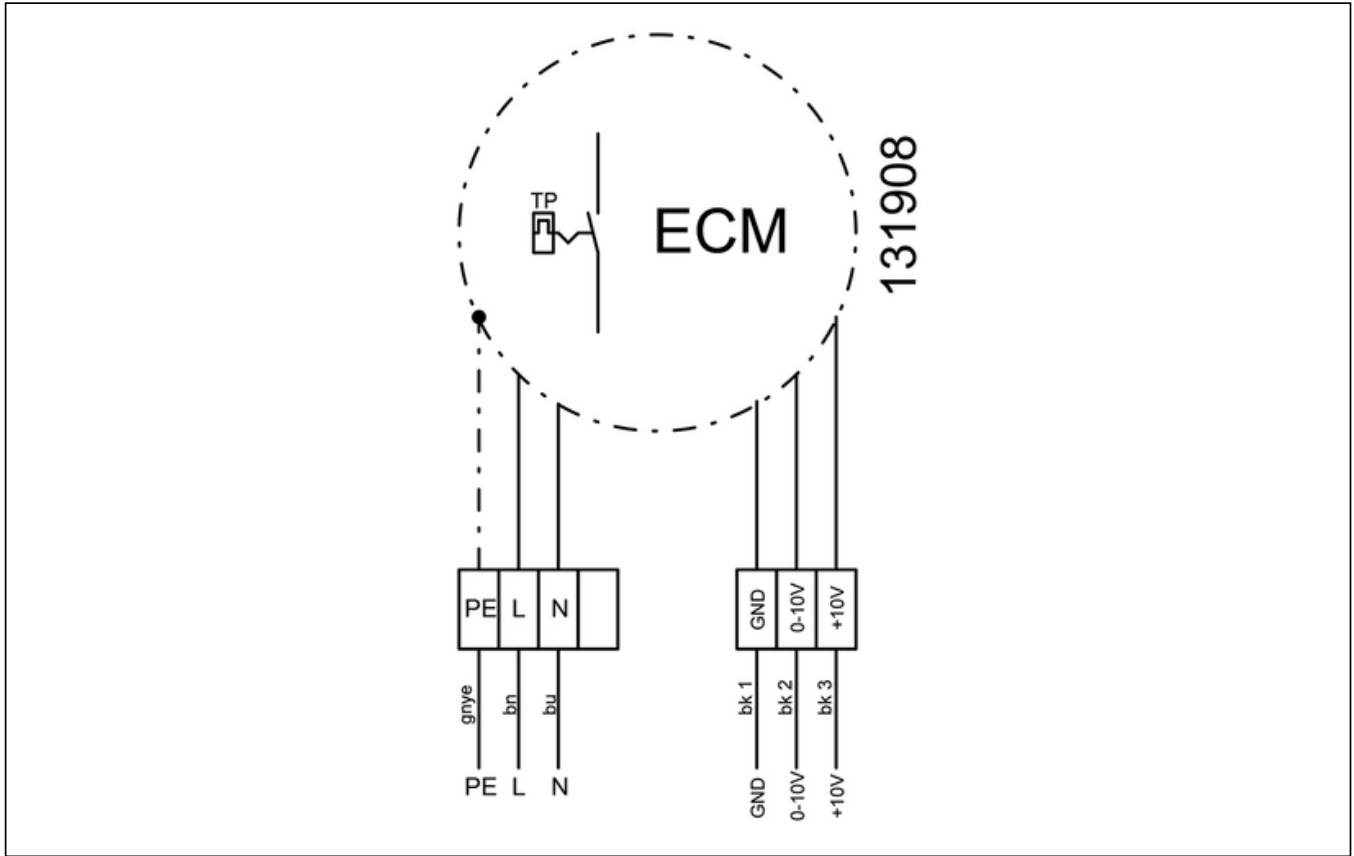
136744



zur Produktseite

EMKI 6030 EC 20

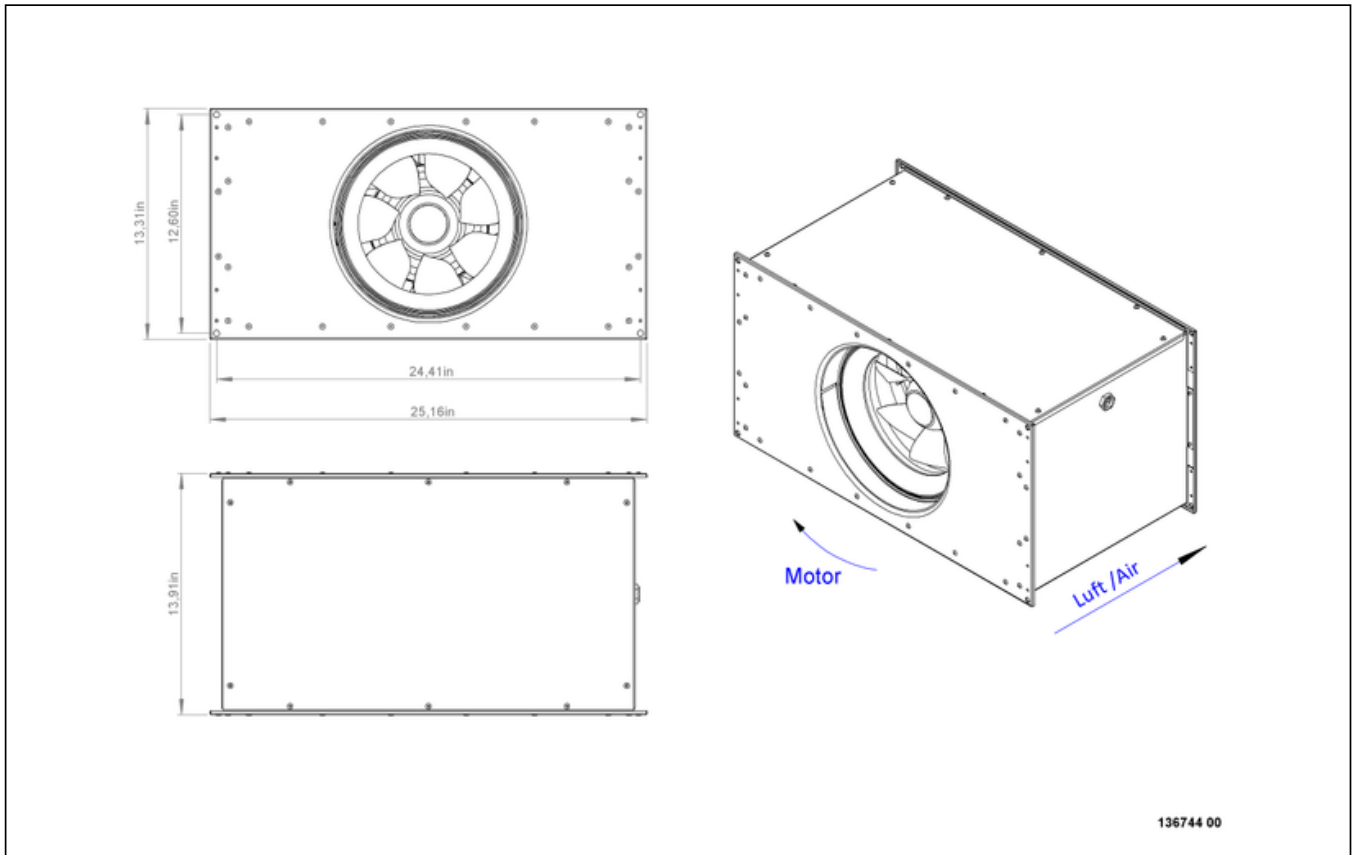
136744



zur Produktseite

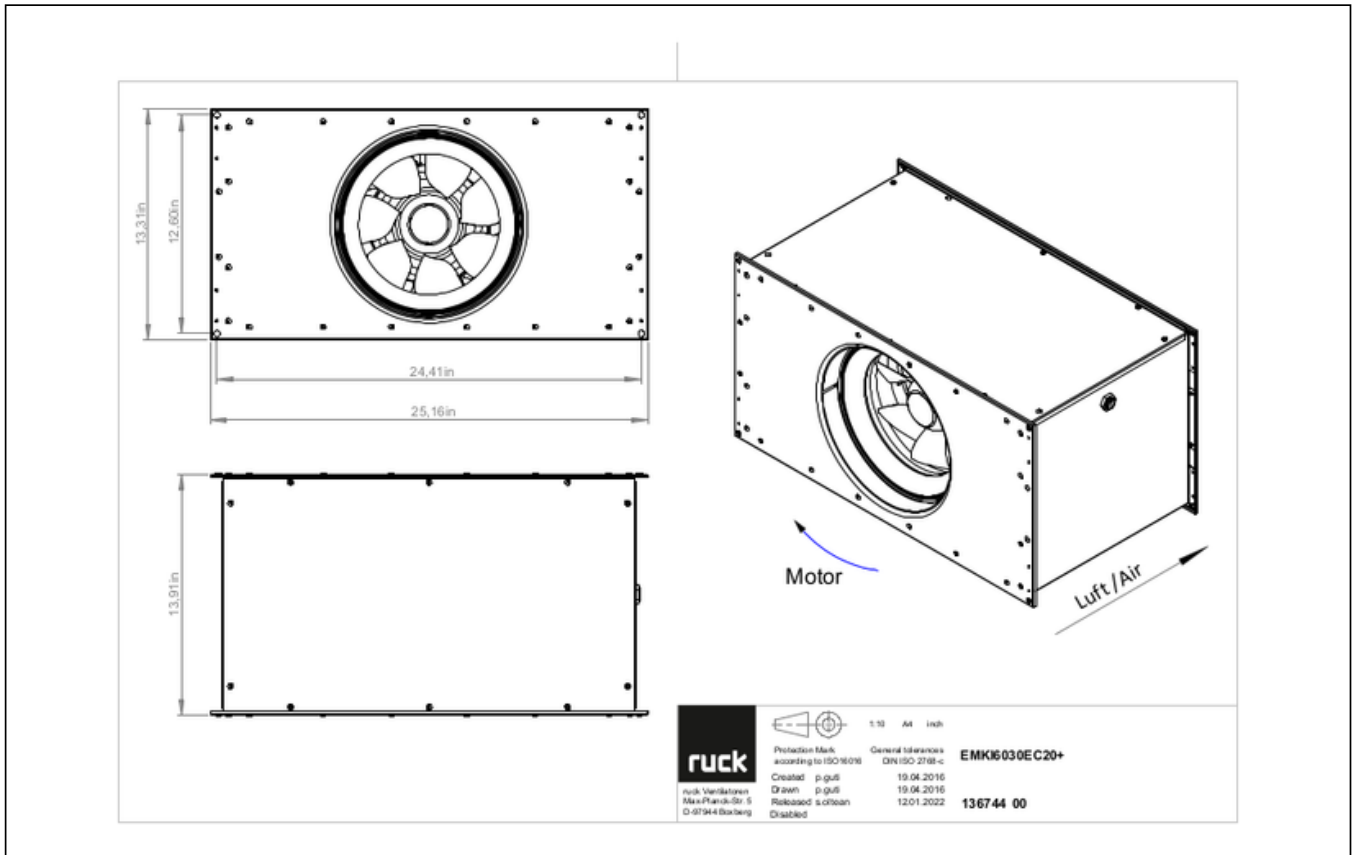
EMKI 6030 EC 20

136744



EMKI 6030 EC 20

136744



MECHANICAL ACCESSORIES

VS 6030 | 102806



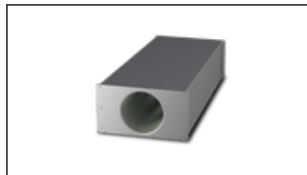
- Duct connector, flexible
- Standard profile flange P20
- Galvanized steel sheet, plastic band (PVC)
- Temperature resistant up to 70 °C

VKK 6030 | 103895



- Automatic shutter
- Plastic, weather resistant
- Temperature resistant up to 70 °C

SDE 6030 L01 | 127750



- Duct silencer
- Sendzimir galvanized sheet steel housing
- Sound absorption by mineral wool with fleece covering on air side
- 20 mm flange profiles



EMKI 6030 EC 20

136744

ELECTRICAL ACCESSORIES

GS 01 | 102787



- Isolator switch
- $U_{max} = 400\text{ V}$, 50/60 Hz
- Switching capacity 400 V 3~ = 5,5 kW
- $I_{max} = 16\text{ A}$

CON P1000 | 115259



- Constant pressure control
- Actual value display possible via optional control unit
- Output 0-10 V DC + FC enable + setpoint reached
- Pressure setting by means of decade switch

MTP 20 | 128146



- Potentiometer 10 k Ω
- Switching contact 1A/250V AC - 2,5A/12V DC
- Max. ambient temperature 50 °C
- VDE

MTP 30 | 143289



- Stepped potentiometer 10 k Ω
- Step 1 + 2 settable 10 % - 100 % Vdc
- Step 3 100 % Vdc
- Supply voltage +10 Vdc

MTP 40 | 147359



- Potentiometer 10 k Ω
- Connection in terminal box
- Max. ambient temperature 50 °C
- PU: 20 pieces

MTP 50 | 153133



- Potentiometer with multifunction output
- 230 VAC $\pm 10\%$ / 50-60 Hz
- Selectable output: 1-10 VDC / 2-20 mA / 10-100 % PWM
- Min. and max. output value adjustable



zur Produktseite