

EMKI 7040 EC 21

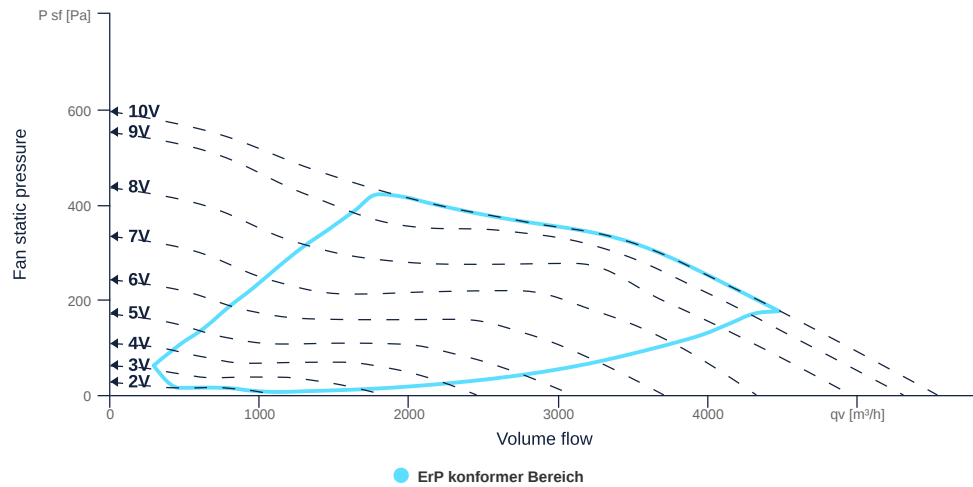
136748

- Efficiency optimized diagonal fan
- Optimally tuned and CFD-optimized aerodynamics
- Soundproof housing made of galvanized sheet steel
- High efficiency EC motor, steplessly controllable
- Conveyed medium temperature up to 45 °C in continuous operation
- Fan unit removable via inspection cover



MAP

Name	Value	Unit
Volume flow	0	m³/h
Pressure	0	Pa



zur Produktseite

EMKI 7040 EC 21

136748

ruck

GENERAL DATA

Name	Value	Unit	Formula symbol
ERP conformity	Yes		
Certifications	CE, UKCA		
Duct size	700x400		WxH _{duct}
Pipe connection size (DN)	-		DN
Rated voltage (entire device)	230	V	U _{rated}
Phases (entire device)	1~		phase
Electrical protection (entire device)	6 A		fuse
Housing material	Galvanized steel		mat _{casing}
Impeller material	Plastic		mat _{impeller}
Weight	22.98	kg	m
Nominal air flow rate, nominal point m ³ /h	3286.8	m ³ /h	q _{v,nom}
Nominal external pressure, static	290.8	Pa	p _{s,nom}
Fan type	Diagonal		Fan _{type}
Category / Installation situation	A		cat

ERP DATA (LOT 6)

Name	Value	Unit	Formula symbol
Nominal air flow rate, nominal point m ³ /s	0.91	m ³ /s	q _{v,nom}
Actual electrical input power, nominal point	0.47	kW	P _{e,nom}
Face velocity, nominal point	3.3	m/s	v _{nom}
Nominal external pressure, static	290.8	Pa	p _{s,nom}
supply air fan static efficiency, nominal point	60.6	%	η _{es,SUP}
Enclosure sound level, nominal point	66	dB(A)	L _{WA2}
Rating	Product is compliant 2018		



zur Produktseite

MAXIMAL DATA

Name	Value		Unit	Formula symbol
	50 Hz	60 Hz		
Max. power consumption (device)	572	572	W	$P_{ed, max}$
Max. operating current (device)	3.9	3.9	A	$I_{ed, max}$
Max. speed	2800	2800	1/min	n_{max}
Max. stat. efficiency	51.5	51.5	%	η_{es}
Max. fan efficiency	52.6	52.6	%	η_e
Max. flowrate	5530	5530	m ³ /h	Q_v, max
Max. stat pressure	595	595	Pa	$p_{sf, max}$
Max. medium temperature	45	45	°C	$T_{m, max}$
Max. environment temperature	45	45	°C	$T_{amb, max}$
Min. environment temperature	-30	-30	°C	$T_{amb, min}$
Min. voltage	230	230	V	U_{min}

MOTOR DATA

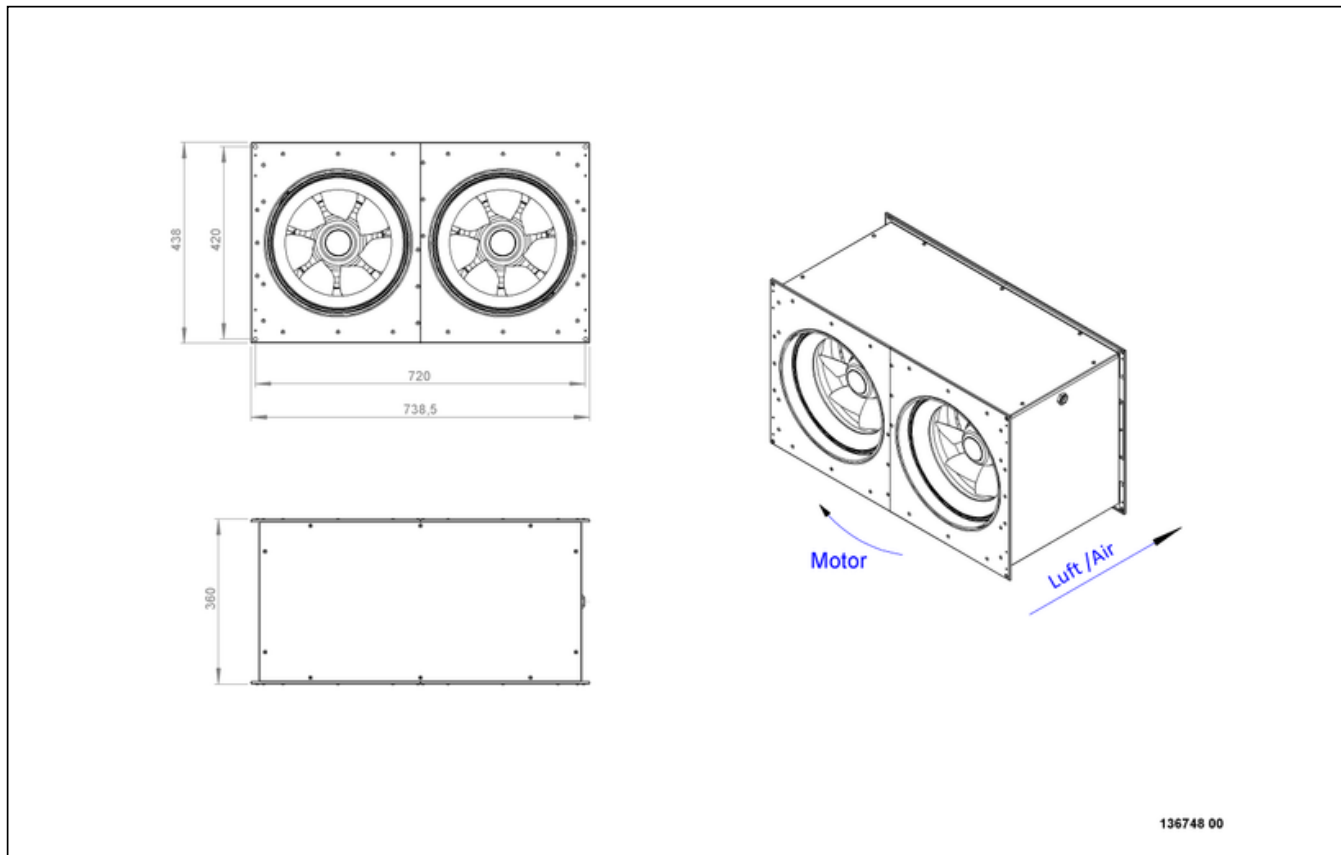
Name	Value		Unit	Formula symbol
	50 Hz	60 Hz		
Rated frequency (device)		50		f
Motor type		EC		phase
Control type		stepless-controlled		ctrltype
Installation type		ORM (Out)		install
Rotation direction		right		rotation
Isolation class		ISO F		ISOclass
Motor-protection		TEC		protectmotor
Protection class		IP33		IP _{motor}
Is pole-changeable		No		polexch
Type of power supply		AC 1~		pwrSUP _{motor}
Rated voltage	230	230	V	$U_{rated, f1}$
Rated current	1.83	1.83	A	$I_{rated, f1}$
Shaft power	280	280	W	$P_{out, f1}$
Speed	2500	2500	1/min	n_{f1}
Min. temperature	-30	-30	°C	$T_{motor, min}$
UL-Certification motor		None		ULcert



EMKI 7040 EC 21

136748

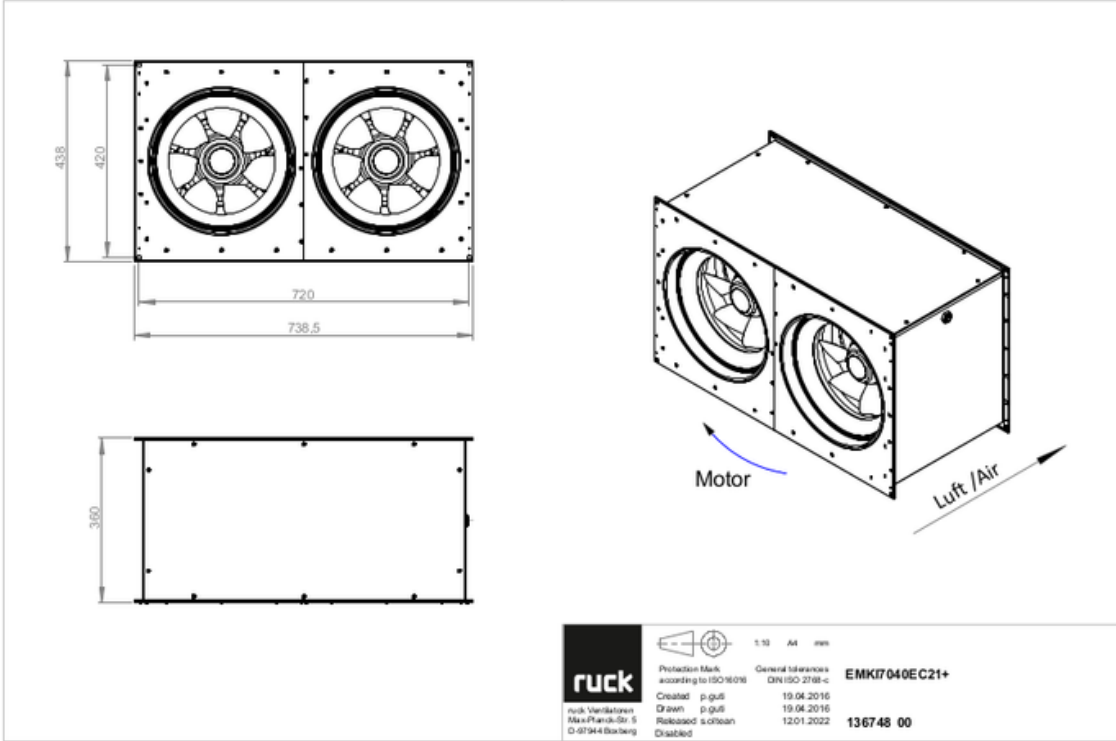
SCHALTPLÄNE / MASSZEICHNUNGEN



zur Produktseite

EMKI 7040 EC 21

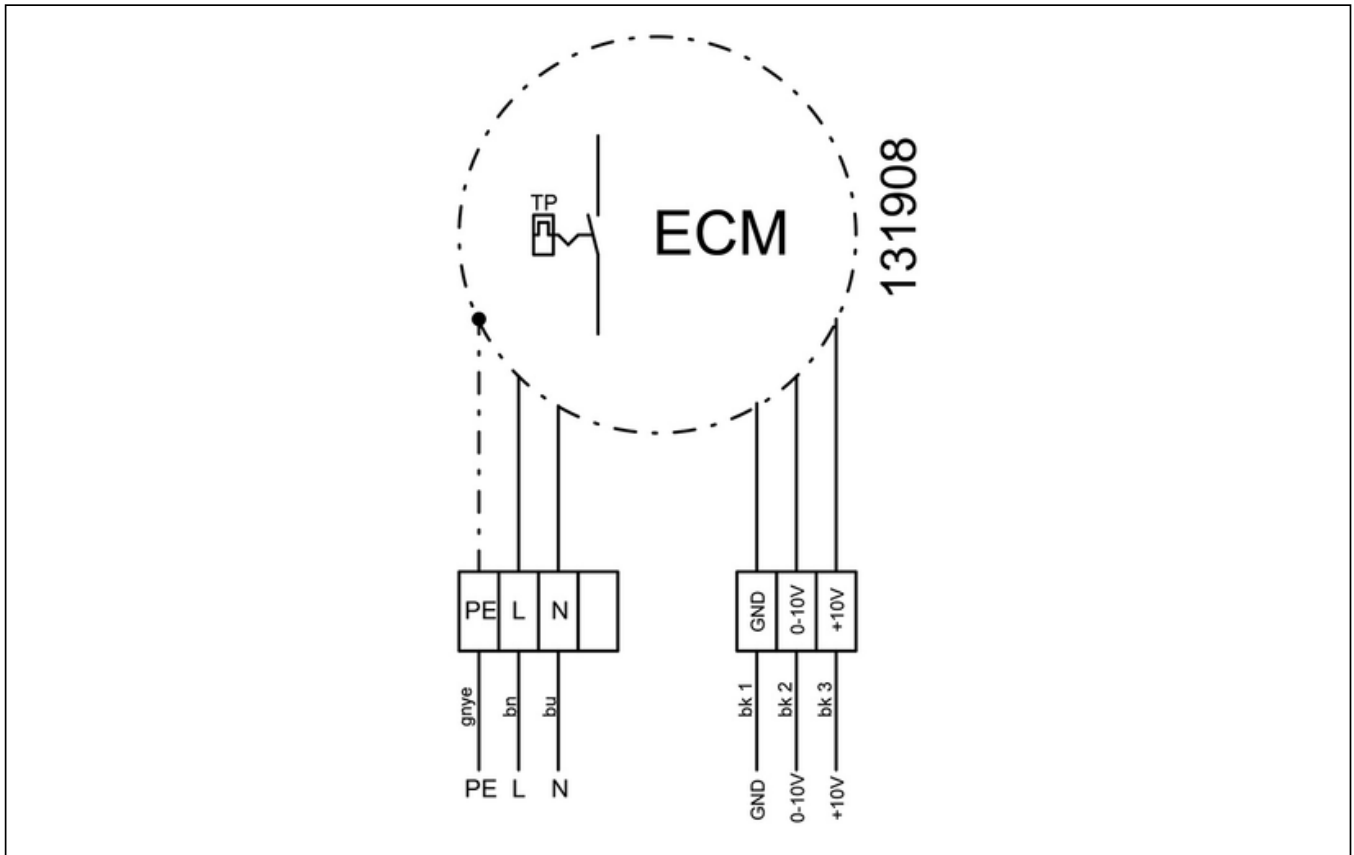
136748



zur Produktseite

EMKI 7040 EC 21

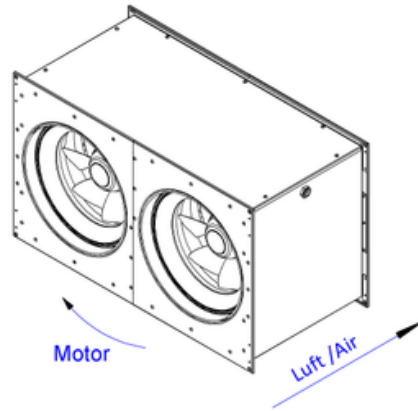
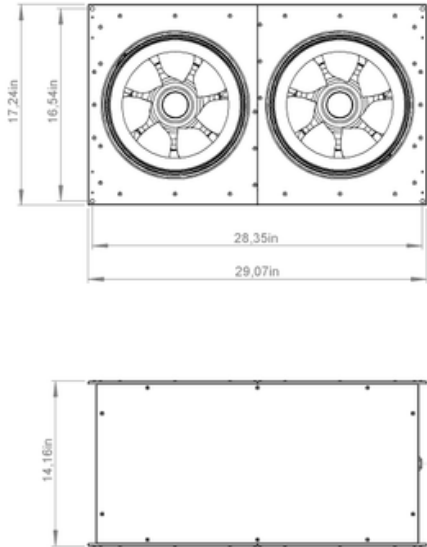
136748



zur Produktseite

EMKI 7040 EC 21

136748



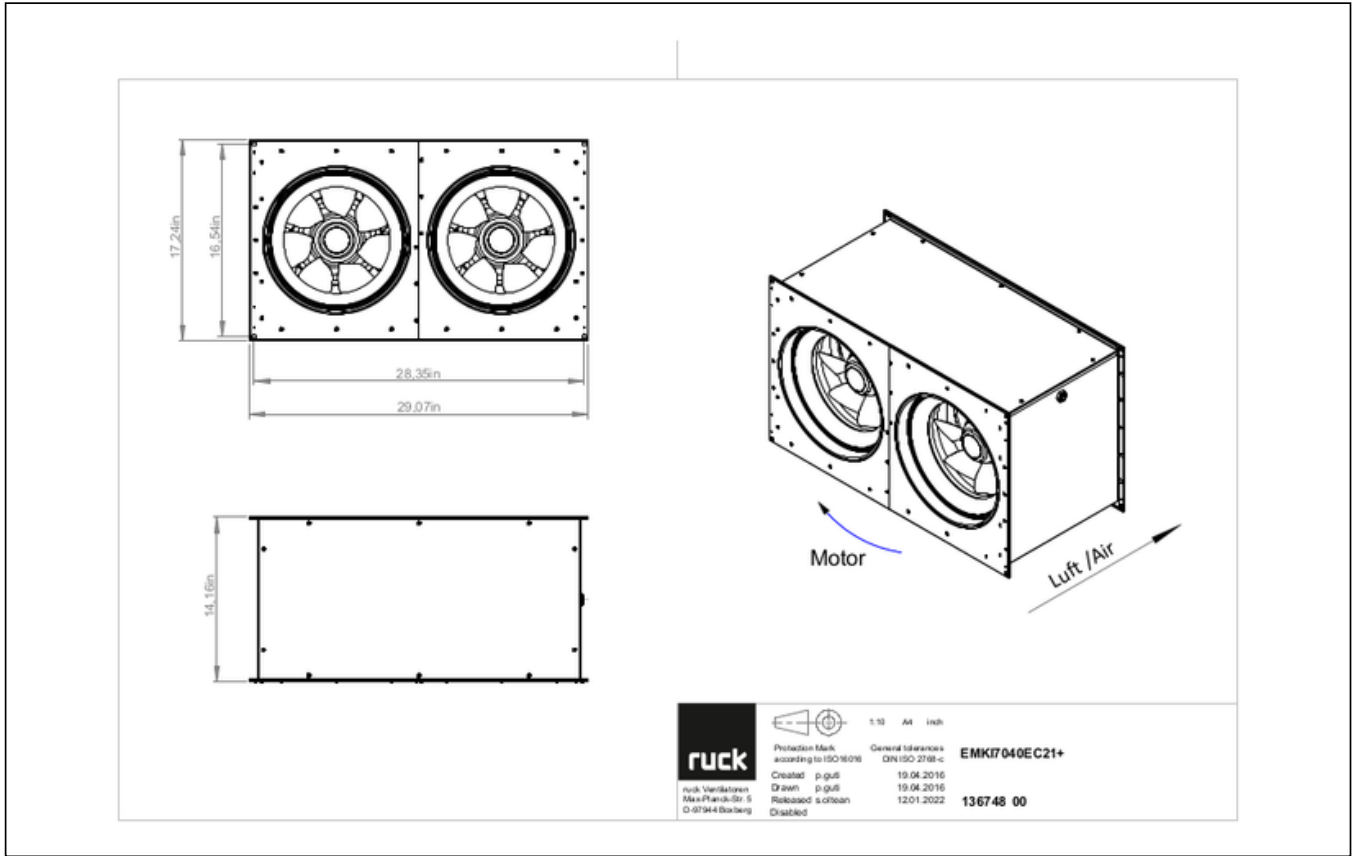
136748 00



zur Produktseite

EMKI 7040 EC 21

136748



MECHANICAL ACCESSORIES

VKK 7040 | 103944



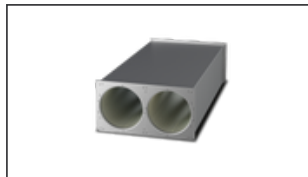
- Automatic shutter
- Plastic, weather resistant
- Temperature resistant up to 70 °C

VS 7040 | 103951



- Duct connector, flexible
- Standard profile flange P20
- Galvanized steel sheet, plastic band (PVC)
- Temperature resistant up to 70 °C

SDE 7040 L02 | 127753



- Duct silencer
- Sendzimir galvanized sheet steel housing
- Sound absorption by mineral wool with fleece covering on air side
- 20 mm flange profiles



EMKI 7040 EC 21

136748

ELECTRICAL ACCESSORIES

GS 01 | 102787



- Isolator switch
- $U_{max} = 400 \text{ V}$, 50/60 Hz
- Switching capacity 400 V 3~ = 5,5 kW
- $I_{max} = 16 \text{ A}$

CON P1000 | 115259



- Constant pressure control
- Actual value display possible via optional control unit
- Output 0-10 V DC + FC enable + setpoint reached
- Pressure setting by means of decade switch

MTP 20 | 128146



- Potentiometer 10 k Ω
- Switching contact 1A/250V AC - 2,5A/12V DC
- Max. ambient temperature 50 °C
- VDE

MTP 30 | 143289



- Stepped potentiometer 10 k Ω
- Step 1 + 2 settable 10 % - 100 % Vdc
- Step 3 100 % Vdc
- Supply voltage +10 Vdc

MTP 40 | 147359



- Potentiometer 10 k Ω
- Connection in terminal box
- Max. ambient temperature 50 °C
- PU: 20 pieces

MTP 50 | 153133



- Potentiometer with multifunction output
- 230 VAC $\pm 10 \%$ / 50-60 Hz
- Selectable output: 1-10 VDC / 2-20 mA / 10-100 % PWM
- Min. and max. output value adjustable



zur Produktseite