

# GUARD

## Operation and Maintenance Documentation



---

**SONNIGER Polska Sp. z o.o. Sp.K.**  
ul. Śląska 35/37, 81-310 Gdynia, Poland, **infolinia 801 055 155**, tel. + 48 58 785 34 80, [www.sonniger.com](http://www.sonniger.com)





Sąd Rejonowy Gdańsk-Północ, VIII Wydział Gospodarczy Krajowego Rejestru Sądowego, KRS 0000504509,  
NIP 586 227 35 14, Regon 22154369 kapitał zakładowy: 1.655.000 PLN

## 1. PURPOSE OF THE DEVICE

The air curtain is intended to be used in regions with a moderate and cold climate, in spaces where temperature ranges from -10 to +40°C, in conditions free from external factors such as pollens and hydrometeor (horizontal precipitation).

In winter, air curtains protect against heat loss in rooms by directing an airstream across the entrance way and preventing cold air from entering the heated space. In summer, the curtains may be used as cooling devices preventing the entry of hot air and pollutants from outside.

The GUARD air curtains are designed to protect against heat losses in buildings of medium and high capacity and with a required mounting height is of 4 m such as:

-  supermarkets, large retail space,
-  car showrooms and service stations,
-  sports and show halls,
-  exhibition surfaces

## 2. BASIC TECHNICAL PARAMETERS

parametry		Curtain with water heater			Curtain with electric heater		
		GUARD 100W	GUARD 150W	GUARD 200W	GUARD 100E	GUARD 150E	GUARD 200E
Lenght of unit	m	1	1,5	2	1	1,5	2
max installation height	m	4	4	4	4	4	4
Max air output	m³/h	1200 / 1550 / 2000	2200 / 3000 / 3600	2900 / 4000 / 4800	1200 / 1550 / 2000	2200 / 3000 / 3600	2900 / 4000 / 4800
Heat output *	kW	10-16	20-29	25-40	4 - 7	6,5 - 11	8,5 - 14
temperature increase Δt **	Δt	-	-	-	12	13	14
Max working pressure	MPa	1,6	1,6	1,6	-	-	-
Diameter of connection nozzles	-	1/2'	1/2'	1/2'	-	-	-
motor power supply, consumption	V/Hz A	230/50 1,4A	230/50 1,8A	230/50 2,4A	230/50 1,4A	230/50 1,8A	230/50 2,4A
Motor power	W	37 / 80 / 160	51 / 106 / 220	75 / 162 / 320	37 / 80 / 160	51 / 106 / 220	75 / 162 / 320
electric heater power supply, consumption ***	V/Hz A	-	-	-	400/50 12,6A	400/50 19,1A	400/50 25,1A
Weight filled with water / without water	kg	18,0 / 16,5	22,6 / 20,5	31,0 / 28,0	17	21,5	29
volume level I / II / III	dB (A)	44 / 49 / 59	45 / 49 / 61	46 / 49 / 61	44 / 49 / 59	45 / 49 / 61	46 / 49 / 61
Protection class IP		IP21	IP21	IP21	IP21	IP21	IP21

parametry		Curtain without heater		
		GUARD 100C	GUARD 150C	GUARD 200C
Lenght of unit	m	1	1,5	2
max installation height	m	4	4	4
Max air output	m³/h	1250 / 1600 / 2100	2250 / 3100 / 3700	3000 / 4200 / 5000
Heat output *	kW	-	-	-
temperature increase Δt **	Δt	-	-	-
Max working pressure	MPa	-	-	-
Diameter of connection nozzles	-	-	-	-
motor power supply, consumption	V/Hz A	230/50 1,4A	230/50 1,8A	230/50 2,4A
Motor power	W	37 / 80 / 160	51 / 106 / 220	75 / 162 / 320
electric heater power supply, consumption ***	V/Hz A	-	-	-
Weight filled with water / without water	kg	15	18,5	25
volume level I / II / III	dB (A)	45 / 50 / 60	46 / 50 / 61	47 / 50 / 61
Protection class IP		IP21	IP21	IP21

\* heat output for water agent 90/70 and inlet air temperature 0°C

\*\* temperature increase for 18°C ambient air

\*\*\* power consumption for ambient air temperature 18°C and cable length 10m

Energy consumption [A] goes higher in relation to decrease of air inlet temperature or extension of supply cables length

Noise level measured in distance of 3 m in open space building

### 3. HEAT OUTPUT RANGES

#### GUARD 100-150-200 W Air curtains with water heater

GUARD 100W																										
inlet/outlet water temperature		50/30					60/40					70/50					80/60					90/70				
inlet air temperature		0	5	10	15	20	0	5	10	15	20	0	5	10	15	20	0	5	10	15	20	0	5	10	15	20
III - max air flow - 2000 m3/h																										
heat output [kW]		6,6	5,6	4,6	3,6	2,6	9,0	7,9	6,9	5,8	4,8	11,3	10,3	9,2	8,1	7,1	13,7	12,6	11,5	10,5	9,4	16,0	14,9	13,9	12,8	11,7
outlet air temperature [°C]		11,4	14,9	18,3	21,9	25,4	14,9	18,3	21,8	25,2	28,7	18,4	21,8	25,2	28,7	32,1	21,9	25,3	28,7	32,1	35,5	25,4	28,8	32,2	35,6	39,0
water flow [m³/h]		0,2	0,2	0,2	0,1	0,1	0,4	0,3	0,3	0,2	0,2	0,5	0,4	0,4	0,3	0,3	0,6	0,5	0,5	0,4	0,4	0,7	0,6	0,6	0,5	0,5
pressure drop [kPa]		1,0	1,0	0,6	0,6	0,3	2,0	2,0	1,0	1,0	1,0	4,0	3,0	2,0	2,0	1,0	5,0	5,0	4,0	3,0	2,0	7,0	6,0	5,0	5,0	4,0
II - mid air flow - 1550 m3/h																										
heat output [kW]		5,9	5,0	4,2	3,3	2,4	7,9	7,0	6,1	5,3	4,4	10,0	9,1	8,2	7,2	6,3	12,0	11,1	10,2	9,2	8,3	14,0	13,1	12,2	11,2	10,3
outlet air temperature [°C]		12,5	15,8	19,1	22,4	25,8	16,4	19,6	22,9	26,2	29,5	20,3	23,5	26,8	30,0	33,3	24,2	27,4	30,6	33,9	37,1	28,0	31,3	34,5	37,7	40,9
water flow [m³/h]		0,2	0,2	0,1	0,1	0,1	0,3	0,3	0,2	0,2	0,2	0,4	0,4	0,3	0,3	0,2	0,5	0,4	0,4	0,3	0,3	0,6	0,5	0,5	0,5	0,4
pressure drop [kPa]		1,0	1,0	0,5	0,5	0,2	2,0	2,0	1,0	1,0	0,0	3,0	2,0	2,0	1,0	1,0	4,0	3,0	3,0	2,0	2,0	6,0	5,0	4,0	4,0	3,0
I - low air flow - 1200 m3/h																										
heat output [kW]		5,3	4,5	3,8	3,0	2,3	7,0	6,3	5,5	4,7	3,9	8,8	8,0	7,2	6,4	5,6	10,5	9,7	8,9	8,1	7,3	12,2	11,4	10,6	9,8	9,0
outlet air temperature [°C]		13,7	16,8	19,9	23,0	26,2	18,0	21,1	24,1	27,2	30,3	22,3	25,3	28,4	31,5	34,5	26,6	29,6	32,7	35,7	38,8	30,9	33,9	36,9	40,0	43,0
water flow [m³/h]		0,2	0,2	0,1	0,1	0,1	0,3	0,2	0,2	0,2	0,1	0,3	0,3	0,3	0,2	0,2	0,4	0,4	0,4	0,3	0,3	0,5	0,5	0,4	0,4	0,4
pressure drop [kPa]		1,0	0,8	0,5	0,5	0,2	1,0	1,0	1,0	0,7	0,6	2,0	2,0	1,0	1,0	1,0	3,0	3,0	2,0	2,0	1,0	4,0	4,0	3,0	3,0	2,0

GUARD 150W																										
inlet/outlet water temperature		50/30					60/40					70/50					80/60					90/70				
inlet air temperature		0	5	10	15	20	0	5	10	15	20	0	5	10	15	20	0	5	10	15	20	0	5	10	15	20
III - max air flow - 3600 m3/h																										
heat output [kW]		13,5	11,7	10,0	8,2	6,4	17,4	15,6	13,8	12,1	10,3	21,3	19,5	17,7	15,9	14,1	25,1	23,3	21,6	19,7	18,0	29,0	27,2	25,4	23,6	21,8
outlet air temperature [°C]		11,9	15,4	18,9	22,5	26,0	15,1	18,6	22,1	25,7	29,2	18,3	21,8	25,3	28,9	32,4	21,5	25,0	28,6	32,0	35,6	24,7	28,2	31,7	35,2	38,7
water flow [m³/h]		0,5	0,4	0,3	0,2	0,2	0,6	0,6	0,5	0,4	0,3	0,8	0,7	0,7	0,6	0,5	1,0	0,9	0,8	0,7	0,7	1,2	1,1	1,0	0,9	0,8
pressure drop [kPa]		4,0	3,0	2,0	1,0	1,0	8,0	6,0	4,0	3,0	2,0	12,0	10,0	8,0	6,0	5,0	17,0	14,0	12,0	10,0	8,0	22,0	19,0	17,0	14,0	12,0
II - mid air flow - 3000 m3/h																										
heat output [kW]		12,5	10,9	9,3	7,8	6,1	16,1	14,4	12,8	11,2	9,6	19,6	17,9	16,3	14,7	13,1	23,1	21,4	19,8	18,2	16,6	26,5	24,9	23,3	21,6	20,0
outlet air temperature [°C]		12,7	16,1	19,5	22,9	26,3	16,2	19,6	23,0	26,4	29,8	19,7	23,1	26,5	29,9	33,2	23,2	26,5	29,9	33,3	36,7	26,6	30,0	33,4	36,7	40,1
water flow [m³/h]		0,4	0,4	0,3	0,2	0,2	0,6	0,5	0,4	0,4	0,3	0,7	0,7	0,6	0,5	0,5	0,9	0,8	0,8	0,7	0,6	1,1	1,0	0,9	0,8	0,8
pressure drop [kPa]		4,0	3,0	2,0	1,0	0,6	6,0	5,0	4,0	3,0	2,0	10,0	8,0	6,0	5,0	4,0	14,0	12,0	10,0	8,0	7,0	18,0	16,0	14,0	12,0	10,0
I - low air flow - 2200 m3/h																										
heat output [kW]		11,0	9,7	8,4	7,0	5,7	14,0	12,6	11,3	9,9	8,6	16,9	15,5	14,2	12,9	11,5	19,8	18,4	17,1	15,7	14,4	22,7	21,3	20,0	18,6	17,3
outlet air temperature [°C]		14,2	17,4	20,6	23,7	26,9	18,2	21,3	24,5	27,7	30,9	22,1	25,3	28,5	31,6	34,8	26,1	29,2	32,4	35,6	38,7	30,0	33,1	36,3	39,5	42,6
water flow [m³/h]		0,4	0,3	0,2	0,2	0,1	0,5	0,4	0,4	0,3	0,3	0,6	0,6	0,5	0,4	0,4	0,8	0,7	0,6	0,6	0,5	0,9	0,8	0,8	0,7	0,6
pressure drop [kPa]		3,0	2,0	1,0	1,0	0,6	5,0	4,0	3,0	2,0	1,0	7,0	6,0	5,0	4,0	3,0	10,0	8,0	7,0	6,0	5,0	13,0	11,0	10,0	8,0	7,0

GUARD 200W																										
inlet/outlet water temperature		50/30					60/40					70/50					80/60					90/70				
inlet air temperature		0	5	10	15	20	0	5	10	15	20	0	5	10	15	20	0	5	10	15	20	0	5	10	15	20
III - max air flow - 4800 m3/h																										
heat output [kW]		19,5	17,2	14,8	12,4	9,9	24,7	22,3	19,9	17,5	15,1	29,8	27,4	25,0	22,6	20,2	34,9	32,5	30,1	27,7	25,3	40,0	37,6	35,2	32,8	30,4
outlet air temperature [°C]		12,5	16,0	19,5	23,0	26,5	15,7	19,2	22,7	26,2	29,7	18,9	22,4	25,9	29,4	32,9	22,1	25,6	29,1	32,6	36,1	25,2	28,7	32,2	35,7	39,2
water flow [m³/h]		0,7	0,6	0,5	0,4	0,2	0,9	0,8	0,7	0,6	0,5	1,1	1,0	0,9	0,8	0,7	1,4	1,2	1,1	1,0	0,9	1,6	1,5	1,4	1,3	1,2
pressure drop [kPa]		9,0	6,0	4,0	3,0	1,0	15,0	12,0	9,0	7,0	5,0	22,0	19,0	15,0	12,0	9,0	32,0	27,0	23,0	19,0	15,0	42,0	37,0	32,0	27,0	23,0
II - mid air flow - 4000 m3/h																										
heat output [kW]		18,2	16,0	13,8	11,7	9,4	22,8	20,7	18,5	16,3	14,1	27,5	25,3	23,1	20,9	18,8	32,1	29,9	27,7	25,5	23,4	36,6	34,5	32,3	30,1	27,9
outlet air temperature [°C]		13,3	16,7	20,1	23,5	26,8	16,8	20,2	23,6	27,0	30,3	20,3	23,7	27,0	30,4	33,8	23,7	27,1	30,5	33,8	37,2	27,1	30,5	33,9	37,3	40,6
water flow [m³/h]		0,6	0,5	0,4	0,3	0,2	0,8	0,7	0,6	0,5	0,4	1,0	0,9	0,8	0,7	0,6	1,2	1,1	1,0	0,9	0,8	1,4	1,3	1,2	1,1	1,0
pressure drop [kPa]		7,0	5,0	4,0	2,0	1,0	12,0	10,0	7,0	5,0	4,0	19,0	16,0	13,0	10,0	8,0	26,0	22,0	19,0	16,0	13,0	35,0	30,0	26,0	22,0	19,0
I - low air flow - 2900 m3/h																										
heat output [kW]		15,9	14,1	12,3	10,5	8,7	19,8	18,0	16,2	14,4	12,6	23,6	21,8	20,0	18,2	16,4	27,4	25,6	23,8	22,0	20,2	31,2	29,4	27,6	25,8	24,0
outlet air temperature [°C]		15,0	18,1	21,3	24,4	27,5	18,9	22,1	25,2	28,4	31,5	22,9	26,0	29,2	32,3	35,5	26,8	29,9	33,1	36,2	39,4	30,7	33,8	37,0	40,1	43,3
water flow [m³/h]		0,5	0,4	0,4	0,3	0,2	0,7	0,6	0,5	0,4	0,4	0,8	0,8	0,7	0,6	0,5	1,0	0,9	0,9	0,8	0,7	1,2	1,1	1,0	1,0	0,9
pressure drop [kPa]		5,0	4,0	3,0	2,0	1,0	9,0	7,0	5,0	4,0	3,0	13,0	11,0	9,0	7,0	5,0	18,0	16,0	13,0	11,0	9,0	24,0	21,0	18,0	16,0	13,0

#### GUARD 100-150-200 E Air curtains with electric heater



GUARD E series (with electric heater) are based on a new type of PTC electric coils  
It is a modern and safe solution, additional advantages of PTC heaters

- ⚡ Lack of voltage on surface of electric coil
- ⚡ Significantly lower coil temperature in comparison to old type of electric heaters (e.g. heating wires, spirals)
- ⚡ Large heat exchange surface (surface of contact of the heat exchanger with heated air)
- ⚡ Fully automatic heat control depending on air flow
- ⚡ Complete elimination of the risk of system overheating due to self regulating heating modules (heat capacity automatically reduces when air flow goes down)
- ⚡ Low energy consumption

#### 4. GENERAL AND SAFETY PRINCIPLES

The GUARD air curtains are manufactured in compliance with the rules and standards concerning quality, ecology, utility and work comfort . Before starting the device be sure to read the Manual carefully.

The GUARD air curtains are delivered ready-to-use in a cardboard package that is to protect from any mechanical damages. The package consists of: the device, the Manual (Operation and Maintenance Documentation) and the Guarantee. If the optional automatic control ordered, it shall be delivered in a separate package. Make sure all the aforementioned elements are in the package immediately after the delivery. In the absence of any element, please fill in the suitable carrier document.

##### NOTICE!

- ⚠ Do not use the curtain in rooms containing any flammable and/or combustible substances, biological substances or in environments with corrosive air components.
- ⚠ Do not use the curtain in rooms with relative humidity above 80%
- ⚠ Do not leave the curtain ON unattended for long periods
- ⚠ Do not use the curtain without proper grounding
- ⚠ Do not turn the curtain on without protective cover in place
- ⚠ Before conducting any maintenance or cleaning work or during the break in operation for an extended period of time, make sure you unplug the power cable
- ⚠ To connect the air curtain, use a supply cable with a fork that protects against unintended disconnecting from the power
- ⚠ When the air curtain is connected directly to the cable, please make sure there is a splitter protecting against any undesired disconnecting
- ⚠ Pay special attention while transporting the device not to damage the casing
- ⚠ When the device is being operated, ensure the safety rules in accordance with the labor standards relating to the operation of any electrical devices
- ⚠ Do not place any objects on the curtain or reduce the airflow in order to ensure the fire safety and if sparks or a damaged supply cable noticed, discontinue the operation immediately
- ⚠ Electricity network, to which the curtain is connected, should be protected against overloading and short circuit

##### CAUTION!

- ⚠ To avoid serious danger of electric shock, installation must be performed by a qualified electrician
- ⚠ To avoid the serious danger to electric shock disconnect the power supply prior to conducting any repair or maintenance work
- ⚠ Any leakage repairs of the heating medium in the device, of which pipes are under pressure, is strictly prohibited
- ⚠ Cut-off/stop valve must be used to supply a heating medium
- ⚠ It is prohibited to connect grounding-type plug to water pipe, gas tubes, lightning conductors, telephone or antenna network
- ⚠ Wait for at least 3 hours before connecting the device from the power supply if the temperature while transporting is below zero

##### NOTICE !

- ① Before mounting the device, read the manual carefully and adhere to the rules concerning the mounting procedures. Not applying to the rules may result in the inappropriate functioning of the device and the loss of the guarantee rights.
- ① Pay special attention when working with electrical elements of the device.

## 5. INSTALLATION

When deciding on the air curtain position you should take into account such factors as:

- ☞ Ease of access for servicing,
- ☞ Access to water and electricity supplies

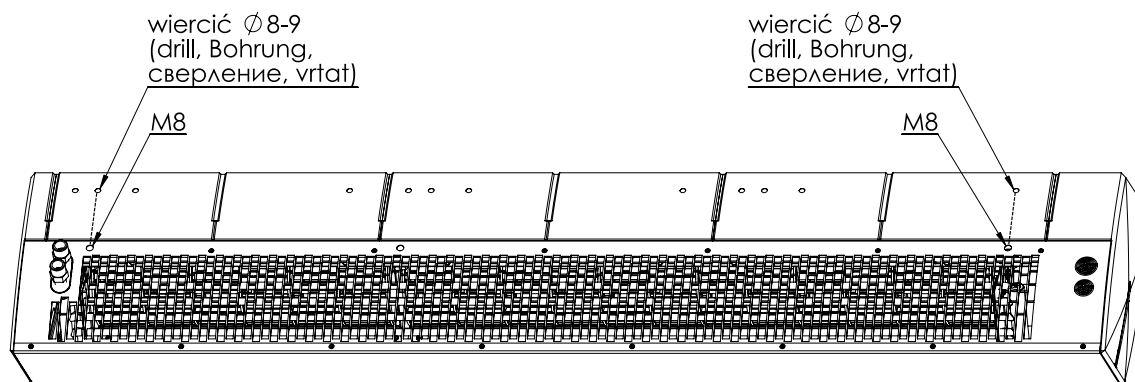
It is recommended to install the air curtain in position above the entrance opening, on the wall or under the ceiling, on support pins or horizontal mounting brackets. It is also possible to mount it vertically to a wall or other structure using vertical mounting brackets. It's important to make sure that the unit is properly levelled. In case of positioning in a different way than horizontal or vertical, during installation, damage to the fan may occur and in consequence malfunction of the unit.

Inlets and outlets cannot be blocked by any objects. When installing the curtains, keep in mind that you will have free access to the control panel. With larger door openings, it is possible to mount more curtains of the same type, one by one, to create an uninterrupted air flow. The curtain is permanently mounted in either a horizontal or vertical position (on the left/right side of the entrance).

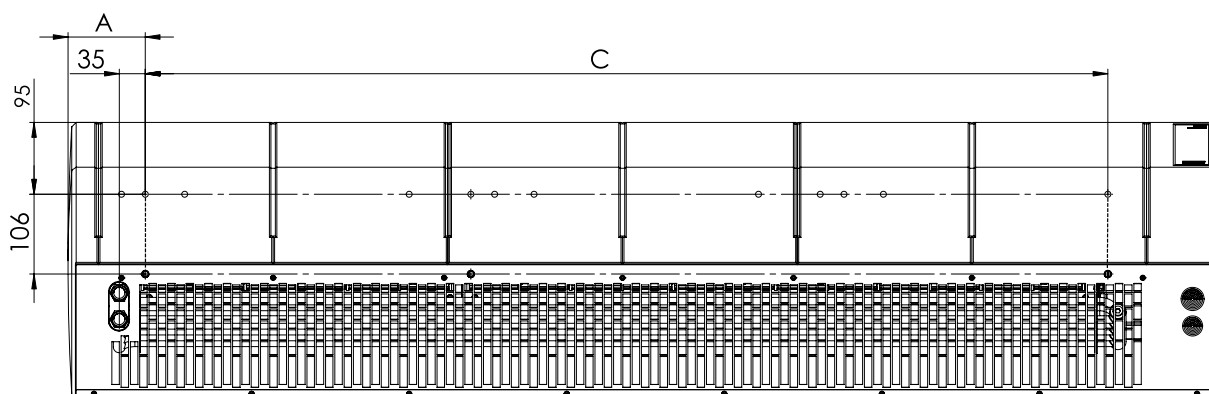
Curtain connection should be done in a serviceable manner, manual shut-off valves should be installed on both nozzles to enable disconnection. In case of a solenoid valve (option - automatics), it must be connected at the water outlet of the device, otherwise it may be damaged. When tightening the pipeline to the exchanger, the heater connection must be protected against torque (which may cause leakage in the exchanger).

### Horizontal installation under the ceiling using mounting pins

Installation under the ceiling is done by using 4 M8 pins. In order to hang the device on the pins, drill holes  $\varnothing$  8-9mm in the EPP housing directly in front of the existing holes in the steel inlet grille. The exact location is indicated by special tags on the EPP housing. The pins should be screwed into the nippers at a depth of 10-14mm.

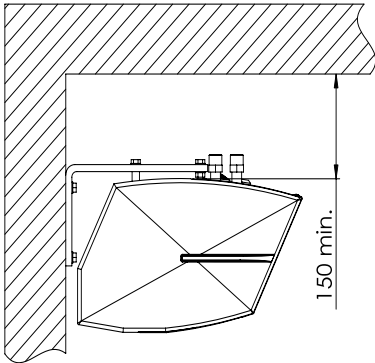


Drawing below shows the position of the mounting holes for the pins



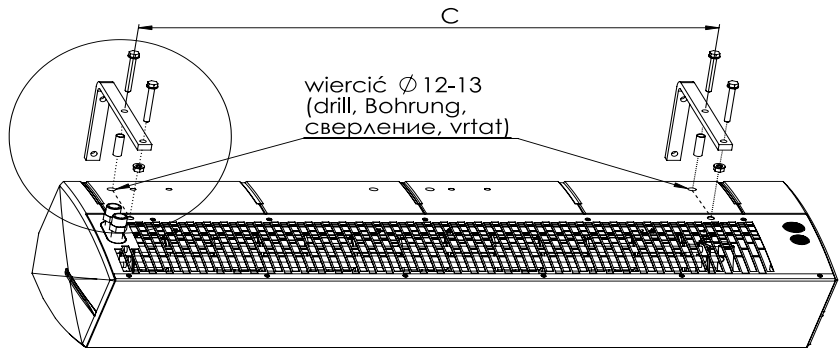
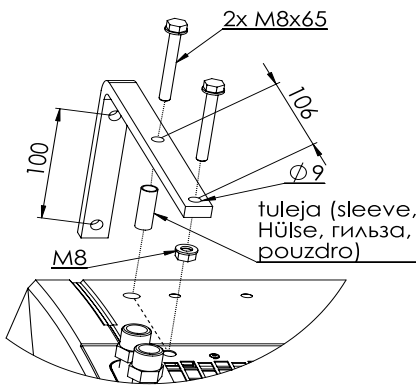
Curtain size	A(mm)	C(mm)	Nuber of pins M8
100	72	857	4
150	104	1295	4
200	157	1712	4

It is important to note that the minimum distance between the device and the ceiling is not less than 150 mm. This will ensure easy access to the water exchanger spigots, cable entries as well as free air flow to the inlet grille.



**Wall installation by means of a horizontal brackets**

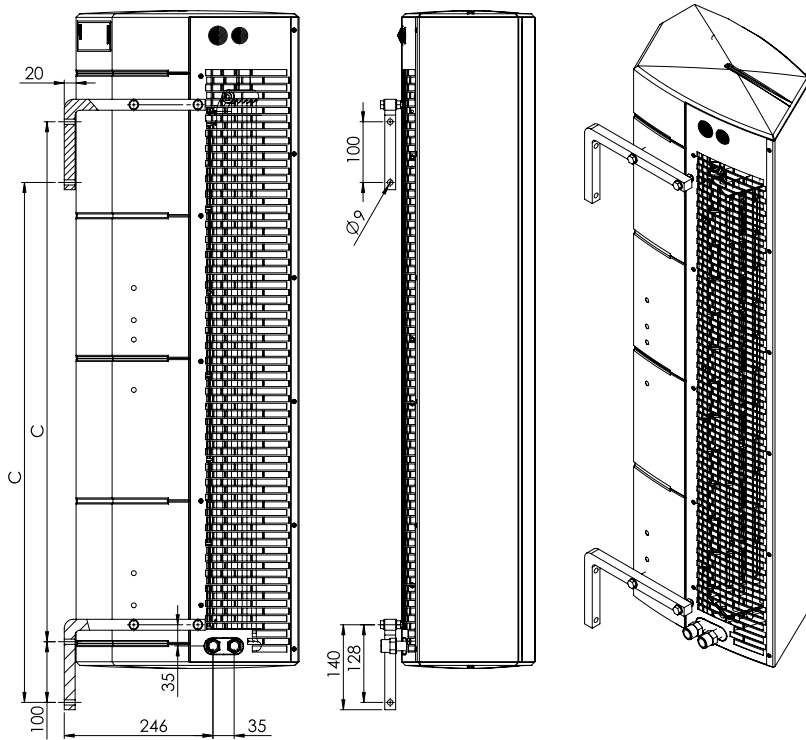
The curtain can be mounted to the wall in a horizontal position using 2 mounting brackets to the horizontal system. In the brackets there are Ø9mm holes for M8 screws. In the EPP housing, drill holes Ø 12-13mm in front of existing holes in the steel intake grille. The exact location is indicated by the special tags on the EPP housing and the figure below. Then insert the spacer sleeves into the holes and fix the brackets. Screw the remaining screws into the nuts under the steel intake grille so that both grips are in one plane. Locknuts under the handles are used to secure the screws from unscrewing.



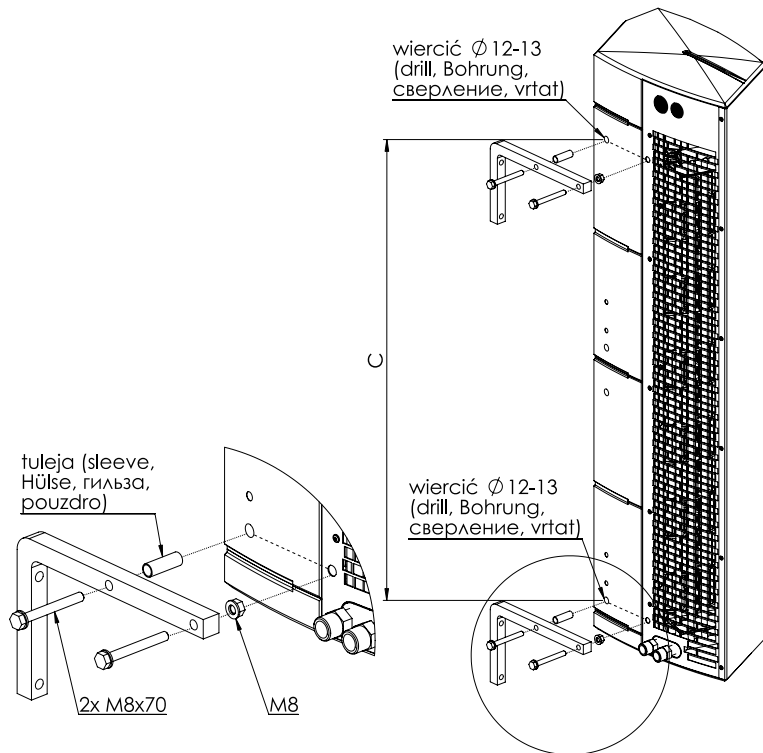
Curtain size	C(mm)	Number of brackets
100	857	2
150	1295	2
200	1712	2

**Installation using brackets for vertical mounting**

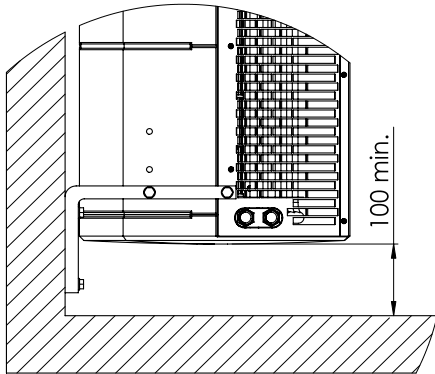
It is also possible to install the unit vertically with the engine downwards and upwards. Two vertical mounts are used for this purpose. In the brackets there are  $\varnothing 9\text{mm}$  holes for M8 screws. In the EPP housing, drill holes  $\varnothing 12\text{-}13\text{mm}$  in front of existing holes in the steel intake grille. The exact location is indicated by special tags on the EPP housing and the figure below. Then insert the spacer sleeves into the holes and fix the brackets. Screw the remaining screws into the nuts under the steel intake grille so that both grips are in one plane. Locknuts under the handles are used to secure the screws from unscrewing.



Curtain size	C(mm)
100	857
150	1295
200	1712



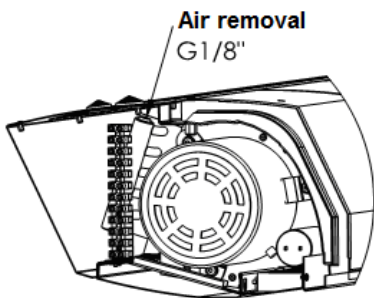
It is important to note that the minimum distance between the unit and the floor for installation with engine at the bottom is not less than 100mm. This allows access to the electrical terminal strip and to the water exchanger vent.



### Connection of heating medium

The connection of the heating medium to the heat curtain, using G 1/2" threaded connections, should be made on the basis of a design by an authorized designer. If the air curtain is connected to a district heating network without a mixing unit, a water filter is required.

In case of horizontal and vertical mounting with nozzles at the top, the exchanger is vented through the nozzles. If the device is mounted vertically with nozzles at the bottom, to vent the exchanger, use a vent which is located on the exchanger collector on the engine side.

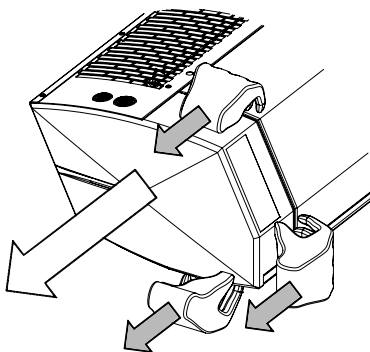


### ATTENTION !

It is necessary to ensure that the unit is properly leveled. When it is mounted in a position other than vertical or horizontal there is a risk of fan damage and unit malfunction

### Connecting the power supply and control system of the curtain

To connect the power supply, control and / or bleed the Exchange move out the right lid, which is fastened with the lock to the lower steel housing and the main housing EPP. The lid is disassembled in the direction shown by the arrows in the figure below. The lid should be grasped in the following places indicated in the drawing and should be gradually "released" from the locks for several millimetres. Cable entries for power and control cables are located on the inlet grille.



### ATTENTION !

Ensure that no connection wire is clamped between the lid and the rest of the curtains before assembling the lid.



## 6. CONTROL PANEL

The curtain control is done by using the COMFORT control panel, which allows to adjust the flow and air temperature. The control panel should be located outside the curtain airflow zone. Up to 2 GUARD curtains can be connected to one COMFORT panel.



### Description of the COMFORT control panel switches

**ON/OFF** – switching on/off of the machine

**I-II-III** – fan gear switches, COMFORT terminal strip clamps

- ☞ clamp 8 - high speed III
- ☞ clamp 7 - middle speed II
- ☞ clamp 6 - low speed I

**HEAT** - when the room temperature is lower than the set value, the thermostat switches on the fan (GUARD W, E, C), the electric heater (GUARD E) and the valve actuator (GUARD W); When the set temperature is reached, the fan is switched off, the valve closes the water flow or the electric heater switches off

**FAN / COOL** – not supported function, in this settings the device does not work

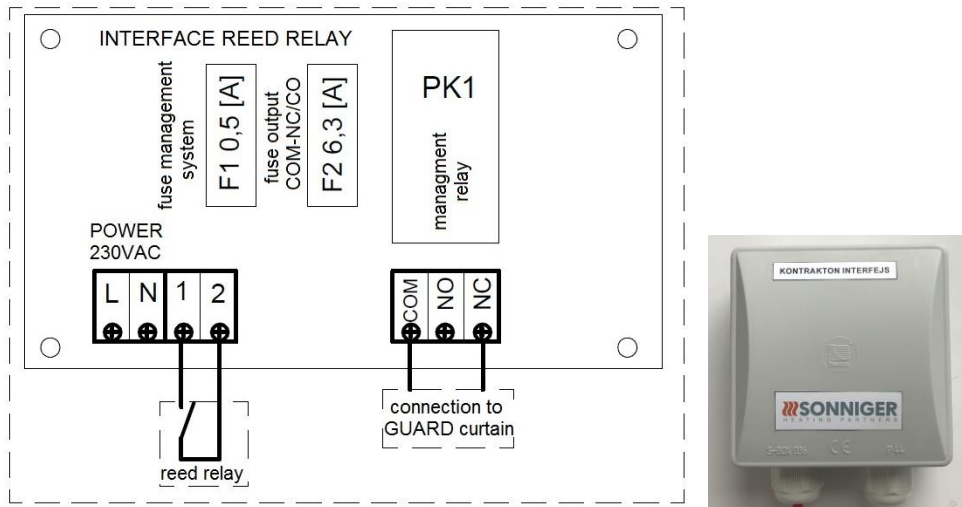
To install the control panel, unscrew the screw, remove the front cover and panel board, fix the panel to the wall, and replace the panel and cover (installation instructions and fixing kit are included in the package).

## 7. GUARD DOOR SWITCH

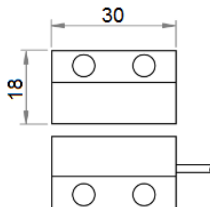
The **GUARD (DC)** door switch is an additional element for switching the curtain on/off, depending on the opening of the door. It is designed for indoor installation. It includes:

- ☞ Relay cabinet - reed relay switchboard
- ☞ Reed relay - Reinforcement for door-fitting, hermetic magnetic switch, consisting of a movable and fixed element

Scheme of the relay cabinet – reed relay interface



Dimensions of reed relay



Parameters of relay reed switchboard

- ☞ Power supply 230V/50Hz
- ☞ Inductive load relay contact 5(A)
- ☞ NC magnetic sensor circuit NC
- ☞ IP66

When installing the GUARD door switch, remove the factory-made jumper:

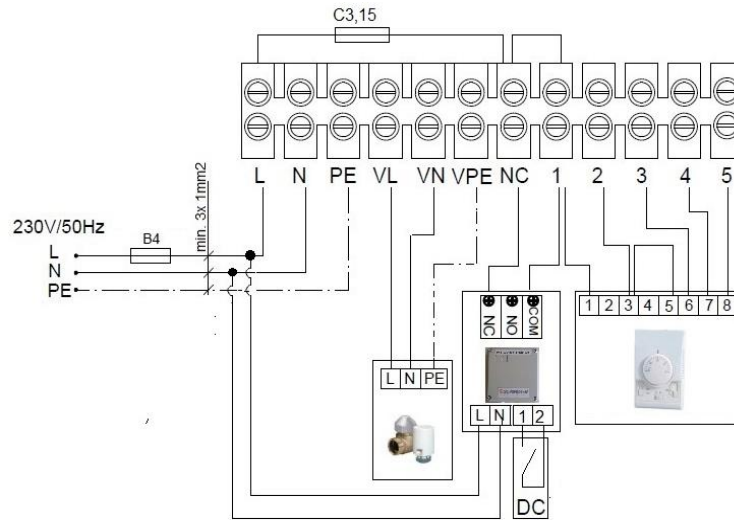
- ☞ **NC-1** for curtain GUARD W (curtain with a water heater) / GUARD C (curtain without a water heater)
- ☞ **NC-COM** for curtain GUARD E (curtain with an electric heater)

## 8. DIAGRAMS OF ELECTRICAL CONNECTIONS

The electrical network to which the curtain will be connected should provide protection against overheating and short circuiting. It is necessary to protect the air curtain by grounding. Electrical installation and connection to the air curtain must be in accordance with applicable building codes and regulations, electrical connection should be carried out by a qualified person familiar with the above instruction. The fan motor has standard internal thermal protection to protect the motor from overheating. The set does not include: power cord, or main switch

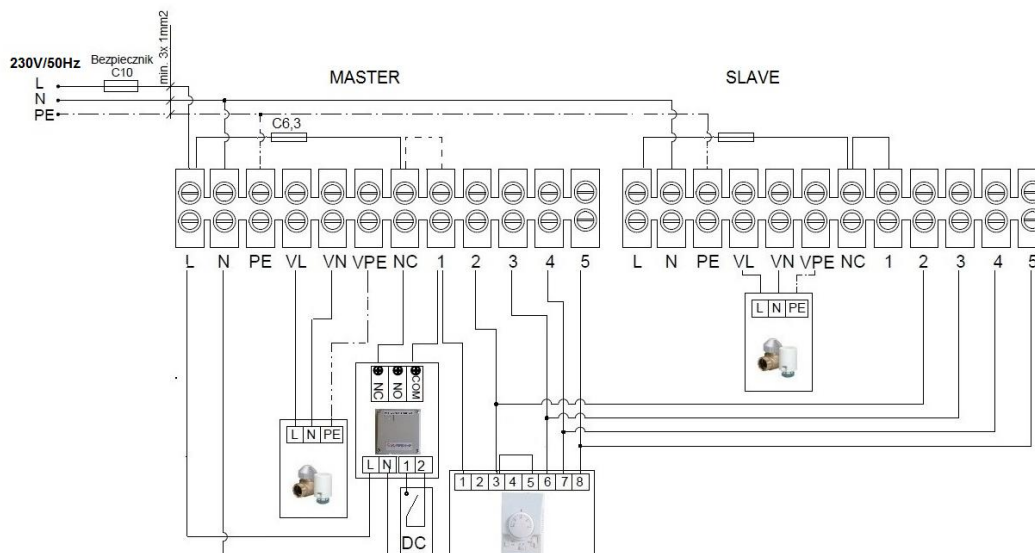
\*diameter and length of the cable should be in accordance to local regulations (some deviations are acceptable)

### 8.1 Diagram of connecting one GUARD 100-150-200 W (water heater) and C (without heater) to the COMFORT panel



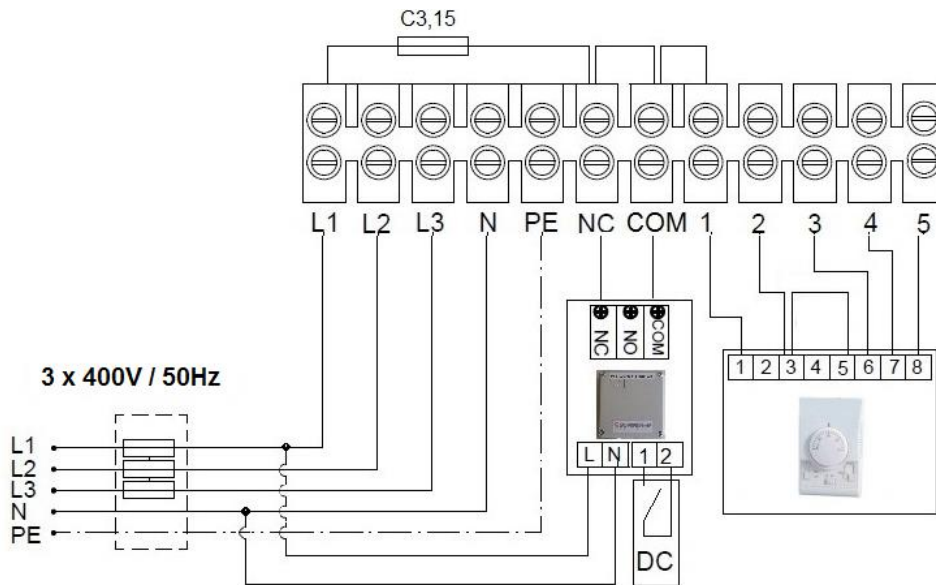
- ⚡ Power supply 230V / 50Hz; Security system B4; Cross section of power supply cables min. 3 x 1mm<sup>2</sup>
- ⚡ Control Panel COMFORT - 3-speed fan control with thermostat, (OMY 5x 1.0mm)
- ⚡ Actuator valve - control 230V/50Hz (OMY 2 x 0.75mm - TS Lite SONNIGER),

### 8.2 Diagram of connecting two GUARD 100-150-200 W (water heater) and C (without heater) to one COMFORT panel



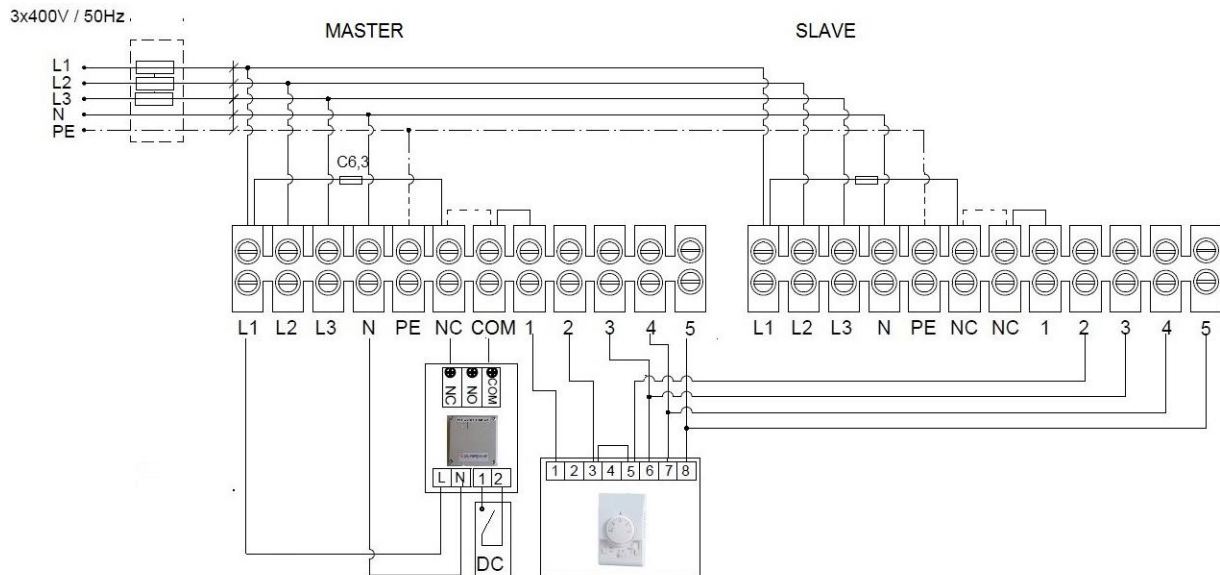
- ⚡ In the MASTER curtain between the L-NC terminals, replace the factory-made fuse (C 3.15) with C 6.3.
- ⚡ Power supply 230V/50Hz; protection of the C10 system; cross section of power supply cables min. 3 x 1.5 mm
- ⚡ COMFORT control panel - 3-speed fan control with thermostat (OMY 5x 1.0mm)
- ⚡ Actuator valve - control 230V / 50Hz (OMY 2 x 0.75mm - TS Lite SONNIGER),

### 8.3 Diagram of connection of one GUARD 100-150-200 E curtain (electric heater) to the COMFORT panel



- ⚡ 400V/50Hz power supply; wire cross section; current protection circuit
  - min. 5 x 2,5 mm<sub>l</sub> for G100E ; (B16)
  - min. 5 x 4 mm<sub>l</sub> for G150E; (B20)
  - min. 5 x 6 mm<sub>l</sub> for G200E; (B25)
- ⚡ Control Panel COMFORT - 3-speed fan control with thermostat, (OMY 5x 1.0mm<sub>l</sub>)

### 8.4 Diagram of connection of two GUARD 100-150-200 E curtain (electric heater) to one COMFORT panel

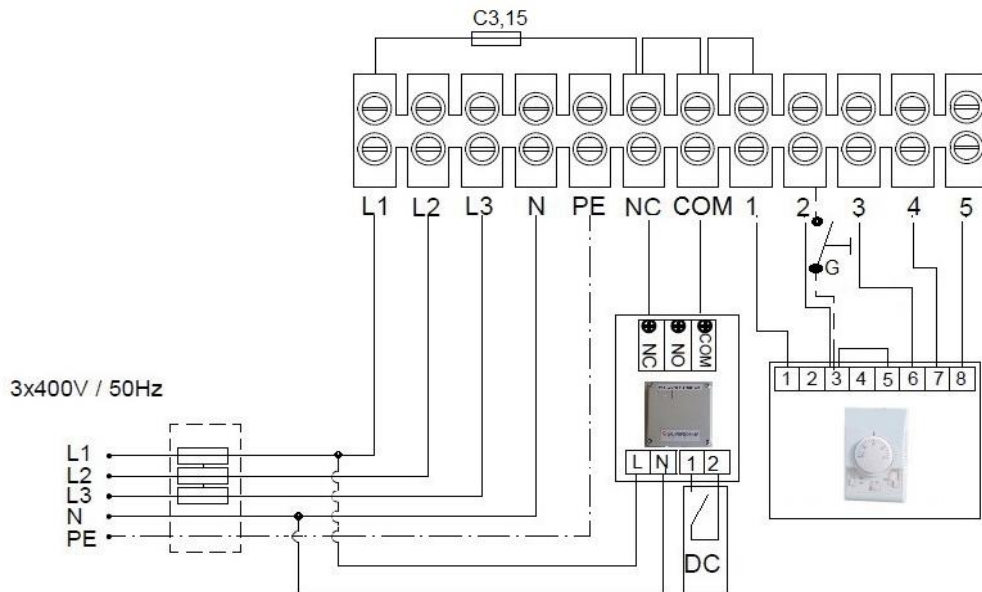


- ⚡ **In the MASTER curtain between the L1-NC terminal, replace the factory-made fuse (C 3.15) with C 6.3**
- ⚡ 400V / 50Hz power supply; wire cross section; current protection of the system - should be selected according to the parameters of the individual versions of the curtains
- ⚡ COMFORT control panel - 3-speed fan control with thermostat (OMY 5x 1.0mm<sub>l</sub>)

### 8.5 Diagram of connection of GUARD 100-150-200 E curtain in cold curtain mode (with electric heater switched off)

In the summer time, it is possible to switch off the electric heater and use the GUARD E curtain as a cold curtain (i.e., fan only, electric heater does not work). In this case, a simple power cut-off installation (shown in the dashed diagram below) must be made. The installation consist in inserting any on/off switch (labelled as "G") into the control circuit between **terminal 3 on Comfort Panel and Terminal 2 in the GUARD curtain**. The on/off switch itself should be installed in a place suitable for the curtain user.

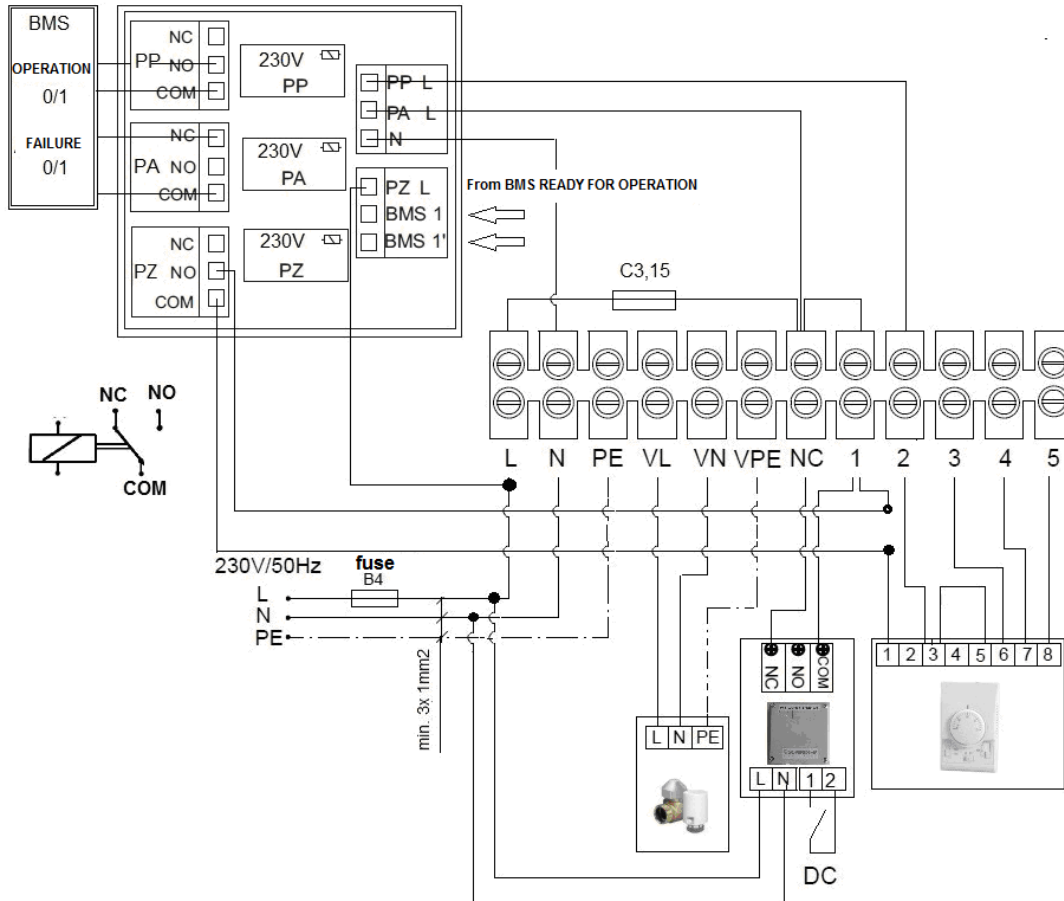
Warning! The Comfort Panel thermostat must be set to max. The on/off switch and the wires to the switch are not included in the scope of delivery



**Connection of GUARD curtains based on BMS communication module**

- ⚡ The BMS module for GUARD curtains allows to monitoring the operation of the curtain (EMERGENCY/FAILURE signal) and switches the curtain on/off from the master BMS system.
- ⚡ With the use of digital signals 0/1 (potential free contact), the BMS SONNIGER can work with any BMS master protocol without need to convert the signal

**8.6 Connection diagram of GUARD 100-150-200 W and C with BMS module**



**SIGNALS FROM BMS**

**PZ „READY FOR OPERATION”**

- ⚡ Digital signal "1" from the master BMS (potential-free contact) - Curtain ready for operation
- ⚡ Digital signal "0" from the master BMS system (potential-free contact open) - Curtain disabled

**SIGNALS TO BMS** - MONITORING THE CURTAIN WORK (NOTE - ON/OFF switch on the COMFORT panel in ON position, "READY FOR OPERATION" signal activated):

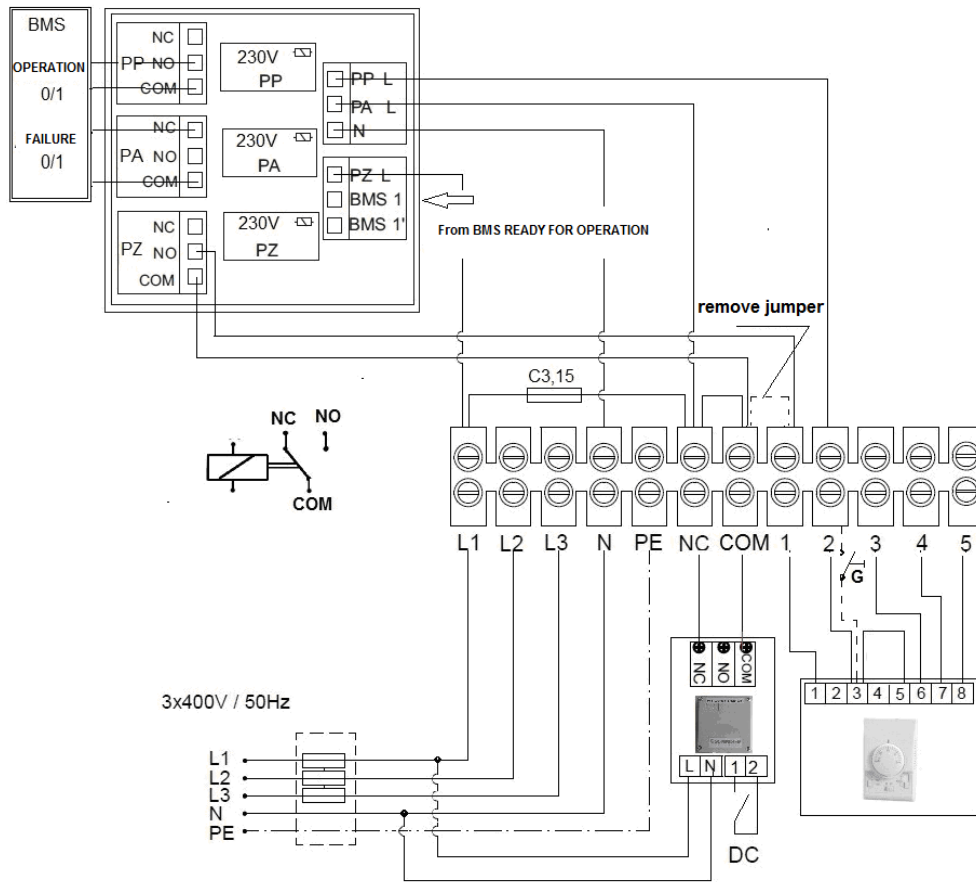
**PP „OPERATION”**

- ⚡ Digital signal "1" (potential-free contact closed) - information about the operation of the curtain- reed relay on - door opened
- ⚡ Digital signal "0" (potential-free contact opened) – Reed relay off - door closed
- ⚡ If the contactor is not used - after the "OPERATION" signal is applied, the curtain operates continuously in the thermostat mode - digital signal "1" (potential-free contact closed)
- ⚡ When the curtain is switched off via the thermostat - digital signal "0" (potential-free contact open)

**PA „FAILURE”**

- ⚡ With proper operation of the curtain - digital signal "0" (potential-free contact opened)
- ⚡ After triggering the fuse C3,15 - digital signal "1" - curtain failure (potential-free contact closed)

**8.7 Diagram of connection of GUARD 100-150-200 E curtain with BMS module**



**ATTENTION!**

While using BMS communication module for GUARD electric series remove factory installed jumper between **COM-1**

**SIGNALS FROM BMS**

**PZ „READY FOR OPERATION”**

- 🔴 Digital signal "1" from the master BMS (potential-free contact closed) - Curtain ready for operation
- 🔴 Digital signal "0" from the master BMS system (potential-free contact opened) - Curtain disabled

**SIGNALS TO BMS - MONITORING THE CURTAIN WORK (NOTE - ON/OFF switch on the COMFORT panel in ON position, "READY FOR OPERATION" 1 signal activated):**

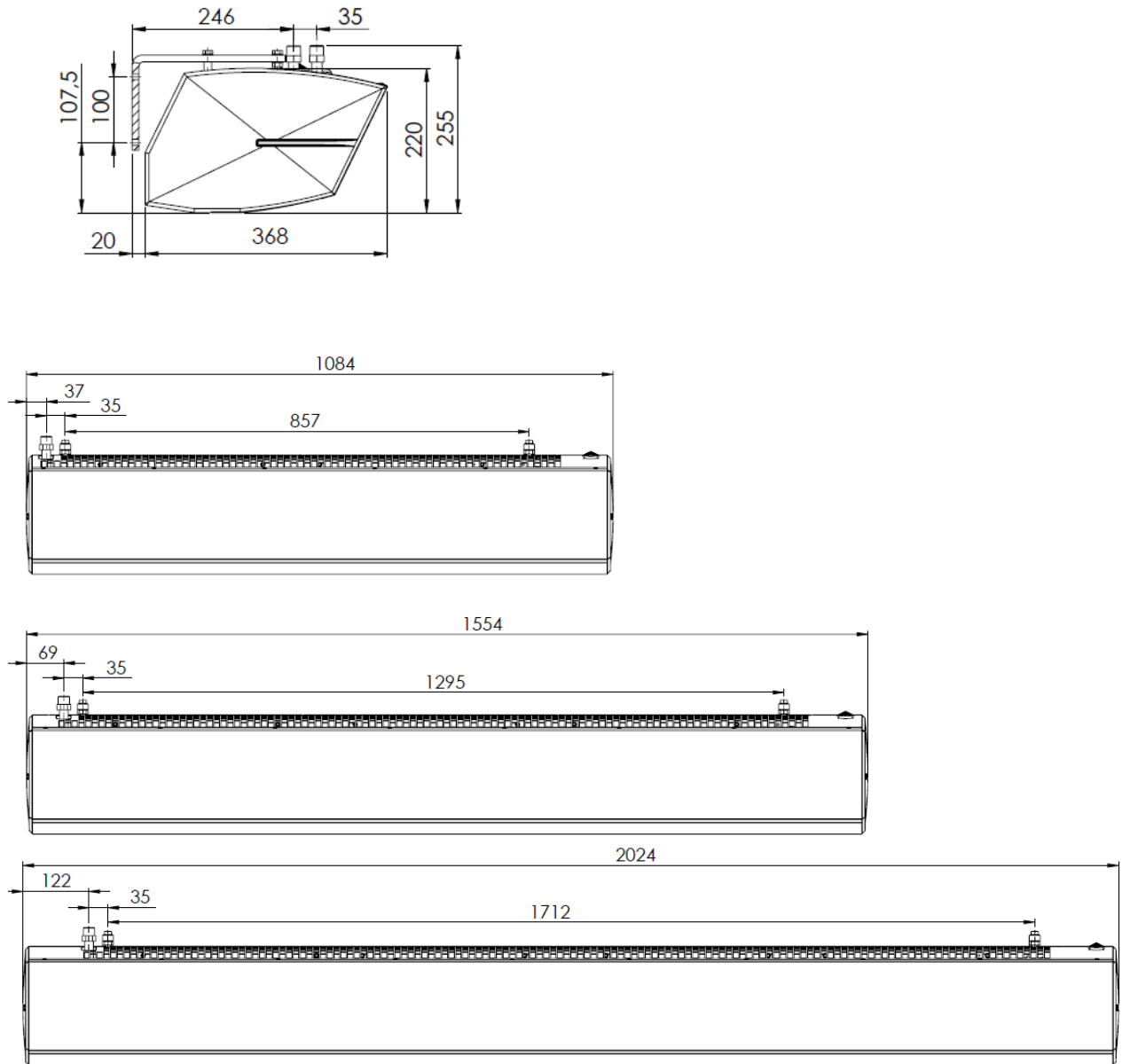
**PP „OPERATION”**

- 🔴 Digital signal "1" (potential-free contact closed) - information about the operation of the curtain- reed relay on - door opened
- 🔴 Digital signal "0" (potential-free contact opened) - Reed relay off - door closed
- 🔴 If the contactor is not used - after the "WORKING" signal is applied, the curtain operates continuously in the thermostat mode - digital signal "1" (potential-free contact closed)
- 🔴 When the curtain is switched off via the thermostat "0" digital signal (potential-free contact opened)

**PA „FAILURE”**

- 🔴 With proper operation of the curtain - digital signal "0" (potential-free contact opened)
- 🔴 After triggering the fuse C3,15 - digital signal "1" - curtain failure (potential-free contact closed)

**9. DIMENSIONS OF THE GUARD 100-150-200 W, E, C CURTAINS**



## 10. OPERATION AND MAINTENANCE

The engine and fan of the GUARD air curtains are maintenance-free devices but regular check-ups are advised, especially motor and bearing (fan's rotor should rotate freely, free from any axial and radial throws/run-outs and undesired knocks/rattles).

The heat exchanger requires systematical cleaning of all dirt /impurities off. Before the start of the heating period, the heat exchanger is advised to be cleaned with compressed air directed to the air outlets; there is no need for dismantling of the device.

Pay special attention when cleaning the exchanger's fin due to high possibility of damaging them. If the fin is bent use a special tool. If the device has not been used for a longer period of time, unplug it before the next use.

The heat exchanger is not equipped with any fire protection device. The heat exchanger may be damaged if the room temperature goes below 0°C; anti-freeze liquid must be added to the water circulation/system. Anti-freeze liquid must be appropriate for the material the exchanger is made of (copper) as well as other elements of the hydraulic system/circulation. The liquid must be diluted with water accordingly to the manufacturer's recommendation.

### NOTICE !

- ❶ Any and all repair and maintenance works must be conducted with the power off and the heat input disconnected.
- ❶ Only suitably qualified staff well acquainted with the safety regulations concerning handling with an electrical device must be employed when the device is being installed, started and operated
- ❶ In the event of coolant leak, when the water system is under pressure, any repairs of the leakage are strictly prohibited.
- ❶ Any repairs of the device must be conducted only if the device is disconnected from the power supply.
- ❶ If the device being operated gives metallic clatter, vibration or the level of noise is increasing, check if the mounting of the fan has not become loose – in case of any problems contact the installer of the device or the SONNIGER Authorized Service immediately.

## 11. TROUBLESHOOTING AND TECHNICAL PROBLEMS

Possible problems and solutions are shown below. To eliminate a problem encountered contact the SONNIGER Authorized Service.

Fault, symptoms	Potential causes	Solutions
No heating, fan not operating	No power supply	Check the power switch Check the power supply Check the power cable – if it is damaged - replace the cable
	Damage to the fan	Replace the motor
	Damage to the switches on control panel	Check the switches – if are damaged – replace
Heating medium leakage -leakage on joints with hot water supply system - leakage in collector	Loss of tightness	Sealing supply system; repairing the heat exchanger
Heat output drop	Temperature of the heating medium differs from the required one	Restore the temperature of the heating medium
	Contaminated heat exchanger's surface	Clean the surface of the heat exchanger



## GUARANTEE TERMS AND CONDITIONS

### § 1 Guarantee Scope

1. This Guarantee covers material defects of the device which make its functioning impossible. This Warranty does not extend to the installation and maintenance works.
2. The Guarantee for the product sold by the Seller covers 24 months. The guarantee period commences upon the delivery of the device to the Buyer specified in the sales invoice. The warranty covers any and all parts/components specified in the scope of the delivery.
3. Products delivered by third persons are not guaranteed by this supplier.
4. Devices may be started and serviced only by qualified persons trained in the areas of maintenance and operation of the device. Any and all operations related to start, maintenance and repairs must be noted that such operations have occurred in the Guarantee Card.
5. The precondition for issuing the Guarantee by the manufacturer is the assembly and activation of the device in accordance with the Operation and Maintenance Documentation not later than 6 months after the date of the purchase.
6. The product is guaranteed for a full period of warranty only if service works implied in the Operation and Maintenance Documentation for the device specified in the 'Maintenance' section are carried out. All services related to the maintenance of the device are carried out at the User's cost and expenses.
7. The provision of warranty services does not cease or suspend the duration of the Warranty. The warranty for replaced or repaired parts/elements shall end with the expiry of the Guarantee for the device.

### § 2 Warranty Exclusions/Disclaimers

1. The Warranty does not extend to the mechanical damages and damages to electrical parts caused by improper use, transport, abnormal voltage or other damages arising from a product defect. For the above reasons, the Warranty is solely limited to the replacement of parts/components having construction defects that shall be delivered without any additional costs only if the defective part/component has been returned.
2. The Warranty for devices does not apply to when technical mistakes occurred during the procedures concerning installation, regulation and controlling including any of the following:
  - !!! Defects caused by connecting a device to an inappropriately designed ventilation system that allows additional heat loads that do not meet any standards and decrease the efficiency of heat exchanger.
  - !!! Defects caused by connecting to the components or parts that are part of the heating system but have not been delivered by the Seller and whose inappropriate functioning has a negative impact on the device's functioning.
  - !!! Defects caused by connecting spare parts to the components that are not original parts.
  - !!! Defects incurred by reselling of the product by the first buyer/user to another buyer who dismantles/installs the device that was previously installed and operated in a specific building and its conditions.
  - !!! Defects caused by an improper expertise and insufficient knowledge of the installer and technical staff who, in an improper way carry out after-sale service of the device
  - !!! Defects caused by special conditions of use that differ from typical/standard applications unless the parties (the Seller and customer's technical staff) have previously agreed otherwise in writing.
  - !!! Defects incurred by natural disasters such as fire, explosions and other incidents that may result in damages to mechanical, electrical and protection devices
  - !!! Defects caused by inappropriate cleaning of the technical facility or place where the device has been installed; cleaning must take place periodically to suit the specific working conditions and the amount of dust.
  - !!! Defects arising from the absence or improper cleaning of heat exchangers; cleaning must be done periodically to suit the specific working conditions and the amount of dust.
  - !!! Defects incurred by the inappropriate installation inadequate for low outside temperature of working conditions.
  - !!! Defects incurred by low temperature if no protection device is installed by the installing contractor to avoid:
    - low temperatures on electrical and mechanical parts such as valves, electric and electronic controlling devices,
    - water condensation and frost/ice near the device,
    - thermal shock of the heater and heat exchanger caused by sudden changes of outside temperature.

### §3. SONNIGER Poland is not liable to:

1. Current maintenance works, inspections following from Operation and Maintenance Documentation and device programming.
2. Defects caused by banking of a device while waiting for the warranty service.
3. Any and all defects caused to the company's property.

### §4. Complaint Procedure

1. In the event of the complaint under the Warranty conditions, the user may lodge a complaint directly to the Distributor.
2. All repairs covered by the warranty shall be done as part of the activity of an installation company and Factory Service. All repairs ensuing from the guarantee shall be done in a place where the device is installed.
3. Any services under the Warranty are to be carried out within 14 days from the date of request. In exceptional cases the deadline may be extended, especially if the warranty service requires ordering parts or components from subcontractors.
4. The user with respect to the service activities is obliged to:

- ⌘ Allow to have full access to the rooms where the devices were installed and provide the necessary facilities allowing direct access to the device (lift, scaffolding etc.) in order to do all the servicing covered by the guarantee.
  - ⌘ Present the original of the Guarantee Card and VAT invoice recording the purchase,
  - ⌘ Ensure the safety while doing the servicing,
  - ⌘ Allow to start works immediately after the arrival of the Service.
5. In order to make a complaint under the warranty it is necessary to deliver to the Distributor's address the following documents:
- a) correctly filled-in complaint form that is available at the website of [www.sonniger.com](http://www.sonniger.com)
  - b) copy of the Guarantee Card
  - c) copy of the proof-of-purchase - the sales invoice
6. The repair service including the replacement of the parts shall be done free of charge only if the representative of the installing contractor or the Service claims that the defect or malfunctioning of the device is caused by fault of the producer.
7. Any and all costs (cost of repair, travel and exchanged components) incurred due to the unjustified complaint especially in the situation when the representative of the Installing Contractor of the Factory Repair Service claims that defect/damage was caused as a result of breaching the guidelines provided in the Operation and Maintenance Documentation or notices the exclusions under §2 (Warranty exclusions) will be requested from the Buyer/Customer who reported the failure.
8. The Claimant is obliged to give a written confirmation of the service provided.
9. Sonniger Poland is entitled to refuse the warranty service if Sonniger Poland has not received full payment for the product complained about under the Guarantee or any previous servicing activities.

## GUARANTEE CARD

**INVESTEMENT:** .....

**Device model:**.....

**Serial number:**.....

**Date of purchase:**.....

**Start date:** .....

**Details of installation company:**

Person activating the device:.....

**Name of company:**.....

.....

Address:.....

Telephone:.....

Signature of a person who has started the device:.....

**Installation works, check-ups/inspections, repairs:**

Date	The scope of installation works, inspections, repairs	Signature and installation company stamp