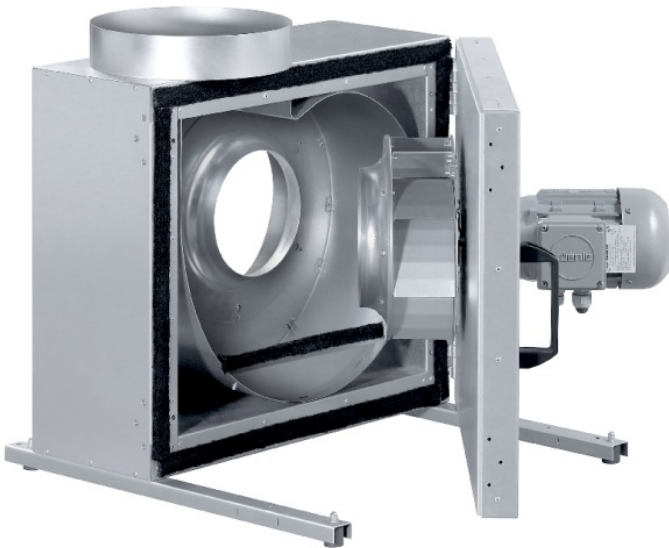


## KBR/F Centrifugal Fans

**High-performing smoke extract fans for harsh working conditions in the event of a fire**

- Continuous medium temperature up to 200°C
- Smoke extraction 400°C/2h (F400)
- Acoustic and thermal insulation 50 mm
- Easy to service and maintain due to the swing-out inspection door

[Find more details in our online catalogue](#)



### Powerful smoke extraction

The smoke extract units KBR/F are used in case of fire to extract smoke gases and also during normal working conditions for temperature up to 200°C continuously.

### Hard-wearing design

The KBR casing is manufactured from doubleskinned galvanised sheet steel and is insulated with 50 mm mineral wool.

### Performance

**High performance** impeller together with **high efficient** motors are designed to ensure high-level performance to **minimize power consumption** and **maximize efficiency**.

## Features

### Construction

The KBR/F casing is manufactured from doubleskinned galvanised sheet steel and is insulated with 50 mm mineral wool. The fan is isolated from the casing via connectors and anti-vibration dampers are incorporated into the base frame. Standard is that the motor is outside the air stream. The KBR/F fans have a swing-out door for easy inspection and service. Tested according to EN 12101- 3. CE-Certification according to EN 12101-3 ;2002-06 through TÜV Süd.

### Impeller

The KBR/F fans use **radial** impeller with **backward curved blades**. These are made out of aluminum, dynamically **balanced** and paired with corresponding **IEC motor** with efficiency **IE3 or EC motor**.

### Motor

High temperature motors for temperature classification F400 (400°C/120 min).

### Motor protection

Fans with **AC** motors have an **integrated** thermal protection with manual (electrical) reset, **thermistor PTC** for connection to a motor protection device. Fans with **EC** motors have an **integrated** electronic **thermal protection** including **locked-rotor protection** and **soft-start**.

### Control

The **AC motors** can be controlled by **5-step, stepless** speed regulator, **D/Y** switch or **frequency converter**. **EC motors** with **built-in potentiometer** to adjust working point can be also controlled by external **signal 0-10V**.

### Installation

The fans can be used **indoor** or with **specific accessories** also **outdoor**. Due to the mounted **base frame the fan** can stand **on floor**.

## Technical parameters

### Nominal data

Voltage (nominal)	400	V
Frequency	50	Hz
Phases	3~	
Input power	554	W
Input power kW	0.554	kW
Input current	1.31	A
Impeller speed	1,448	rpm
Air flow	max 3,513	m³/h
Max. Temperature of transported air for 120 min	400	°C
Temperature of transported air	max 200	°C
Max temperature of transported air, when speed controlled	200	°C

### Protection/Classification

Enclosure class, motor	IP55
Insulation class	F

### Data according to ErP

ErP ready	Not ErP relevant
-----------	------------------

### Dimensions and weights

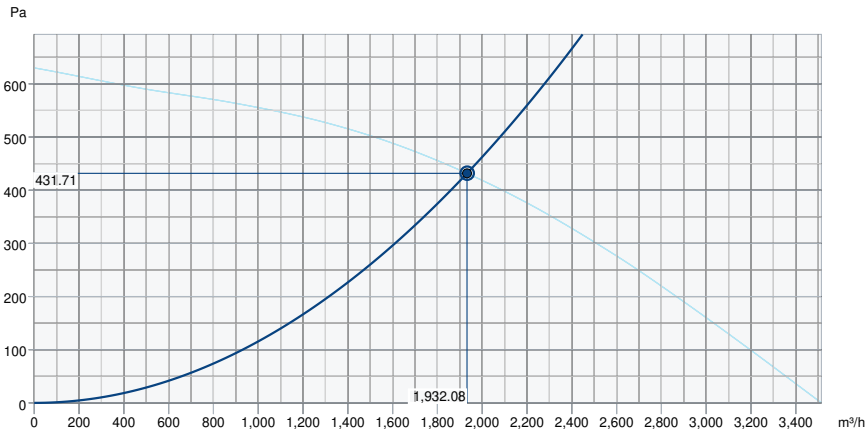
Duct dimension; Circular, inlet	355	mm
Duct dimension; Circular, outlet	355	mm
Weight	67.5	kg

### Others

Duct connection type	Circular
Motor type	AC

Performance

Performance curve



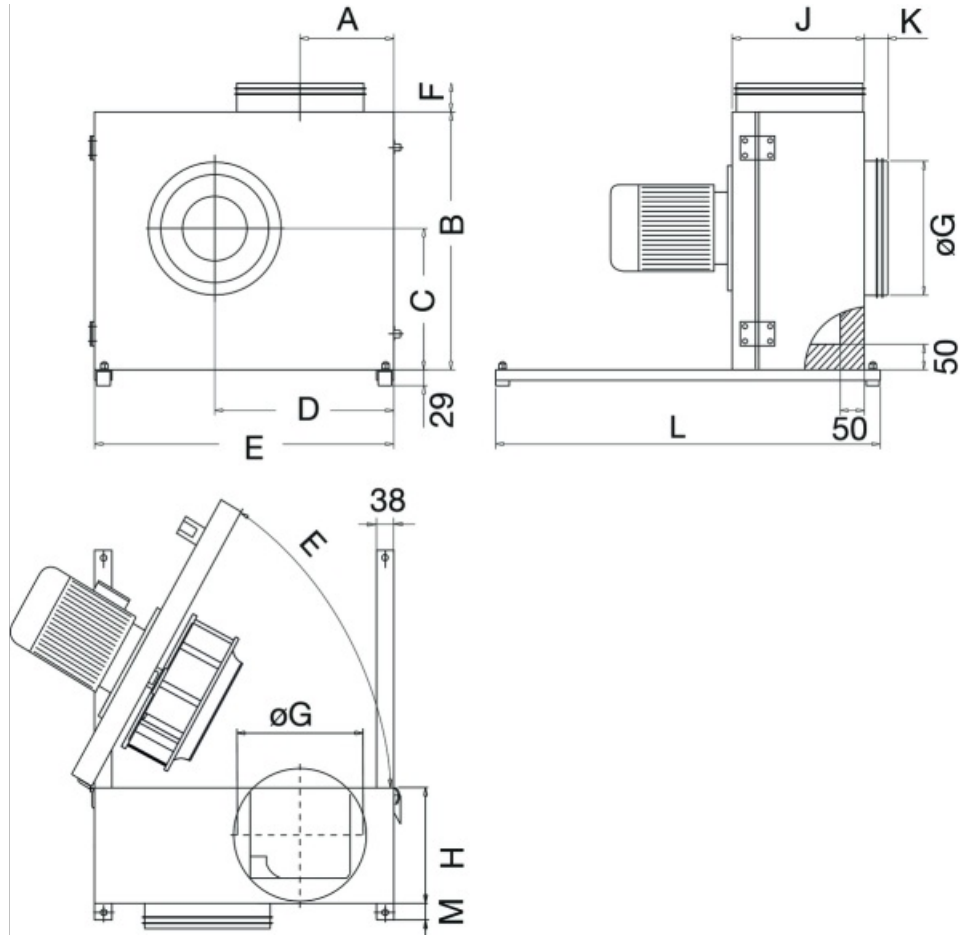
Hydraulic data

Required air flow	1,933 m³/h
Required static pressure	432 Pa
Working air flow	1,932 m³/h
Working static pressure	432 Pa
Air density	1.204 kg/m³
Power	541.3 W
Fan control - RPM	1,449 rpm
Current	1.30 A
SFP	1.009 kW/m³/s
Control voltage	400.0 V
Supply voltage	400 V

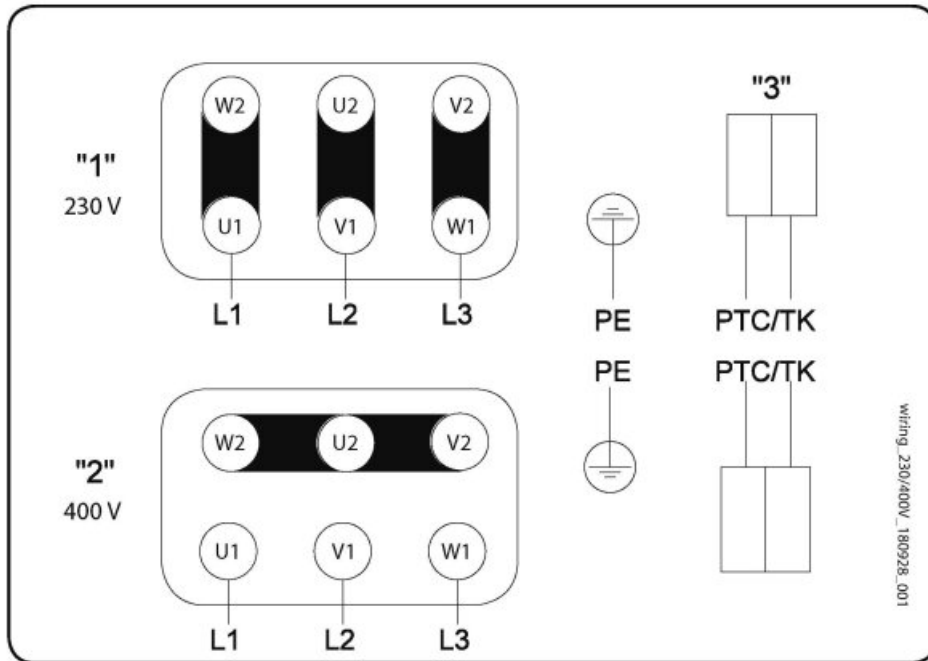
Sound power level		63	125	250	500	1k	2k	4k	8k	Total
Inlet	dB(A)	54	62	71	66	65	59	54	47	74
Outlet	dB(A)	56	63	73	68	66	60	55	49	75
Surrounding	dB(A)	54	62	71	66	65	59	54	47	74
Sound pressure level at 3m (20m² Sabine)	dB(A)	-	-	-	-	-	-	-	-	67
Sound pressure level at 3m free field	dB(A)	-	-	-	-	-	-	-	-	53

**Dimension**

	A	B	C	D	E	F	øG	H	J	K	L	M
KBR/F 355	206,7	655	372	451	770	60	355	273	331	50	770	35



## Wiring



- 1 3 x 230V Delta Connection
  - 2 3 x 400V Star connection
  - 3 PTC / TK
- Changing of direction of rotation by interchanging of two phases

## Accessories

- EVH 355 flex.conn. AXC 400°C (8365)
- Frequency converter FRQ5-4A (36229)
- Frequency converter FRQS-4A (36231)
- REV-5POL/07-7,5kW R/Y (33980)
- RSA 355/355/070 (F) (311349)
- RSA 355/710/070 (F) (311351)
- UGF 355 Transition flange (305494)
- ALS-KBR drain plug (2727)
- REV-5POL/07-7,5kW B/G (281742)
- Frequency converter FRQ-4A (36227)
- Frequency converter FRQ5S-4A (36233)
- LRK 355(F) air oper. damper (8317)
- REV-9POL/12-7,5kW R/Y (33981)
- RSA 355/532,5/070 (F) (311350)
- U-EK230E Motor protection (30199)
- WSD KBR-2 Weather roof f.motor (2729)
- WBK 315/355 Wall bracket (2721)
- REV-9POL/12-7,5kW B/G (281743)

## Documents

- Installation, Operation and Maintenance instruction\_005
- 2797\_CPR\_719672.PDF
- eu\_declaration\_of\_conformity\_smoke\_extract\_fans\_en\_003.pdf