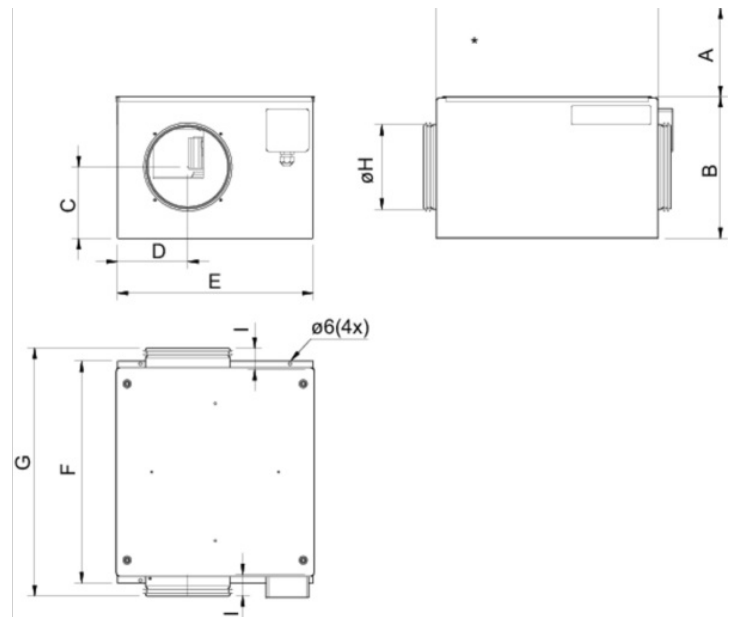




## Technical parameters

Nominal data	
Voltage (nominal)	230 V
Frequency	50 Hz
Phases	1~
Input power	134 W
Input current	0.59 A
Impeller speed	2,519 rpm
Air flow	max 497 m³/h
Minimum static back pressure	0 Pa
Capacitance of capacitor	4 µF
Temperature of transported air	max 70 °C
Max temperature of transported air, when speed controlled	70 °C
Sound data	
Sound pressure level at 3m (20m² Sabin)	39 dB(A)
Protection/Classification	
Enclosure class, motor	IP44
Insulation class	B
Data according to ErP	
Energy class, Basic unit	F
Energy class, Local demand	C
ErP ready	ErP 2016; ErP 2018
Dimensions and weights	
Duct dimension; Circular, inlet	160 mm
Duct dimension; Circular, outlet	160 mm
Weight	11.7 kg
Others	
Duct connection type	Circular
Motor type	AC

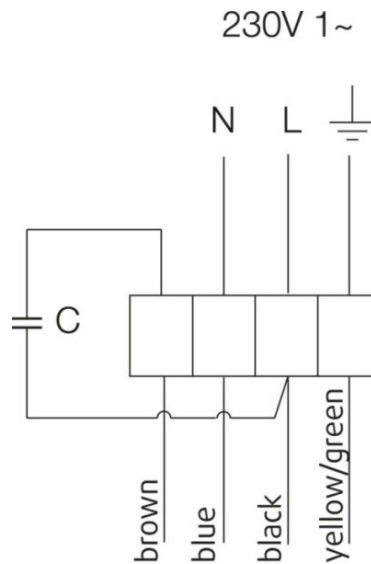
## Dimension



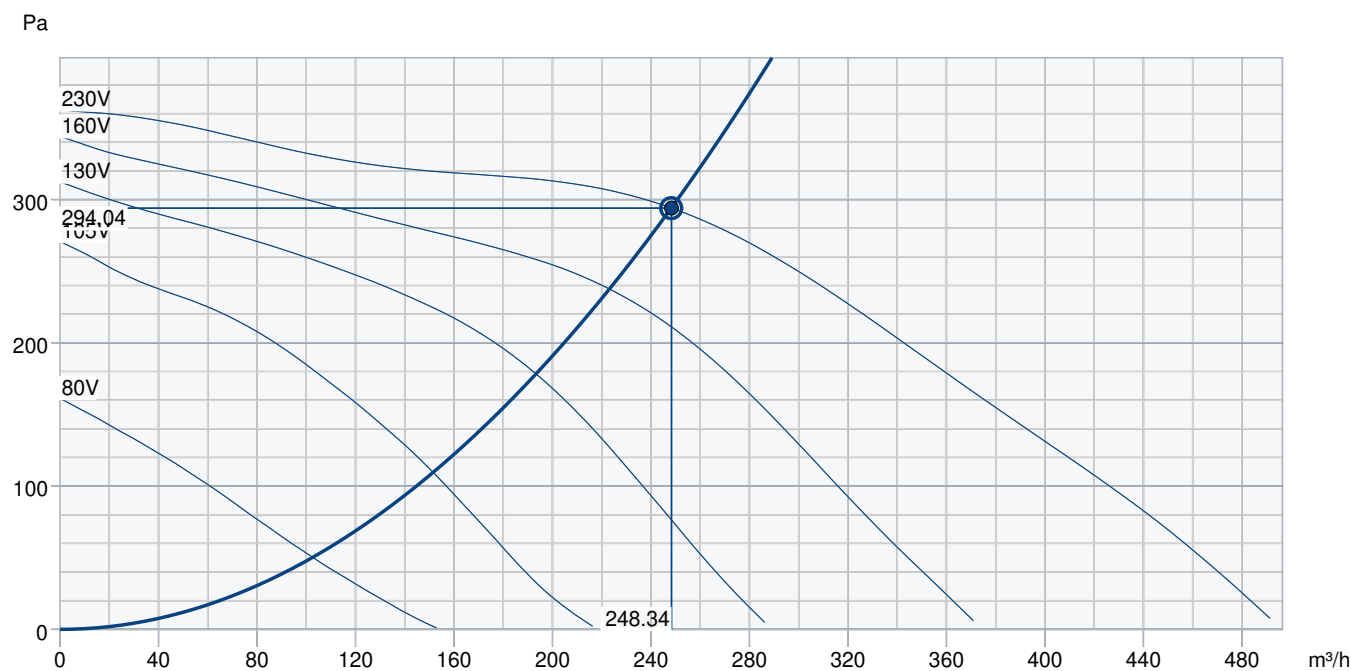
\* = Free area

KVK	A	B	C	D	E	F	G	øH	I
160	230	266	134	132	367	415	464	160	40

## Wiring



## Performance curve



### Hydraulic data

Required air flow	248 m³/h
Required static pressure	294 Pa
Working air flow	248 m³/h
Working static pressure	294 Pa
Air density	1.204 kg/m³
Power	103.5 W
Fan control - RPM	2,726 rpm
Current	0.50 A
SFP	1.501 kW/m³/s
Control voltage	230.0 V
Supply voltage	230 V

Sound power level		63	125	250	500	1k	2k	4k	8k	Total
Inlet	dB(A)	50	63	54	50	45	44	42	38	64
Outlet	dB(A)	57	67	66	68	69	68	62	57	75
Surrounding	dB(A)	25	43	39	39	34	30	25	18	46
Sound pressure level at 3m (20m² Sabine)	dB(A)	-	-	-	-	-	-	-	-	39
Sound pressure level at 3m free field	dB(A)	-	-	-	-	-	-	-	-	25

### Accessories

## Accessories

Frequency converter FRQ5SE-6A (37421)  
RE 1,5 Speed control (5000)  
REPT 6 Digital regulator (5698)  
REU 1.5 Speed control (5004)  
SG 160 Protection guard (5608)  
CO2RT-R-D Transmitter (6993)  
HR1 Room Humidistat (215150)  
RT 0-30 Room Thermostat (5151)  
T 120 Timer (5165)  
CB 160-2,1 230V/1 Duct heater (5292)  
CB 160-5,0 400V/2 Duct heater (5383)  
CBMF 160-2,1 230V/1 Duct heater (12244)  
FFR 160 Filter cassette (1770)  
FK 160 Fast clamp (1610)  
LDC 160-600 Silencer (5192)  
RSK-160 Back draft damper (5601)  
THS 160 Hood w.cover pl. black (1839)  
VBC 160-3 Water heating batt (9840)

IGK-160 Wall Grid (1632)  
REE 1 Speed control (5314)  
RETP 6 Temp/Pressure regulator (32293)  
REV-3POL/03-7,5kW R/Y (33978)  
VKK-160 Back draft damper (1625)  
Frequency converter FRQSE-6A (37419)  
Presence detector/IR24-P (6995)  
Safety switch 2-pole grey (210679)  
CB 160-1,2 230V/1 Duct heater (5291)  
CB 160-2,7 230V/1 Duct heater (5382)  
CBM 160-2,1 230V/1 Duct heater (5482)  
CWK 160-3-2,5 Duct cooler,circ (30022)  
FGR 160 Filter cassette (1809)  
LDC 160-300 Silencer (53108)  
LDC 160-900 Silencer (5193)  
THB 160 Hood w.cover pl. black (1764)  
VBC 160-2 Water heating batt (5458)  
VBF 160 Water heating battery (1731)

## Documents

INSTALLATION\_OPERATION\_AND\_MAINTENANCE\_INSTRUCTION\_KV\_DUO\_\_KVK\_DUO\_\_KVK\_003\_\_EN.PDF  
Semko Certificate KVK 1116708.pdf  
COMMISSIONING\_RECCORD\_FANS\_\_EN.PDF