

KVR 10050 D4 30

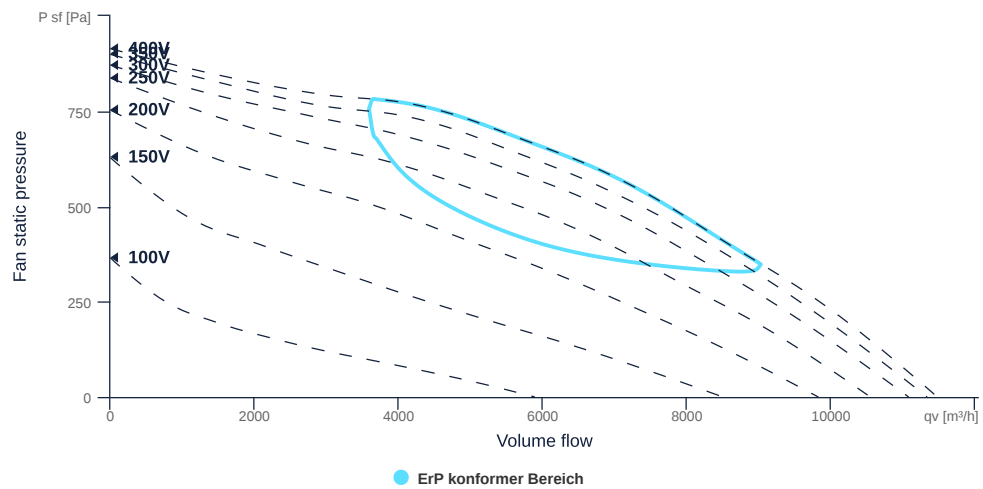
131325

- Backward curved radial impeller
- Removable fan unit
- Housing made of galvanized sheet steel
- Efficient IE3 motor, frequency controllable
- Conveyed medium temperature up to 60 °C in continuous operation



MAP

Name	Value	Unit
Volume flow	0	m³/h
Pressure	0	Pa



zur Produktseite

KVR 10050 D4 30

131325

ruck

GENERAL DATA

Name	Value	Unit	Formula symbol
ERP conformity	Yes		
Certifications	CE, UKCA		
Duct size	1000x500		WxH _{duct}
Pipe connection size (DN)	-		DN
Rated voltage (entire device)	400	V	U _{rated}
Phases (entire device)	3~		phase
Electrical protection (entire device)	6 A		fuse
Housing material	Galvanized steel		mat _{casing}
Impeller material	Plastic		mat _{impeller}
IP-protection class (entire device)	IPX4		IP _{compl}
IP-Protection class (terminal box)	IP44		IP _{ebox}
Weight	69.5	kg	m
Nominal air flow rate, nominal point m ³ /h	7700.4	m ³ /h	q _{v,nom}
Nominal external pressure, static	425	Pa	p _{s,nom}
Fan type	Radial		Fan _{type}
Category / Installation situation	A		cat

ERP DATA (LOT 6)

Name	Value	Unit	Formula symbol
Nominal air flow rate, nominal point m ³ /s	2.14	m ³ /s	q _{v,nom}
Actual electrical input power, nominal point	1.85	kW	Pe <sub,nom< sub=""></sub,nom<>
Face velocity, nominal point	4.28	m/s	v _{nom}
Nominal external pressure, static	425	Pa	p _{s,nom}
supply air fan static efficiency, nominal point	54	%	η _{es,SUP}
Enclosure sound level, nominal point	77	dB(A)	L _{WA2}
Rating	Product is compliant 2018		



KVR 10050 D4 30

131325

ruck

MAXIMAL DATA

Name	Value	Unit	Formula symbol
Max. power consumption (device)	1867	W	$P_{ed, max}$
Max. operating current (device)	4.68	A	$I_{ed, max}$
Max. speed	1460	1/min	n_{max}
Max. stat. efficiency	55.7	%	η_{es}
Max. fan efficiency	56.5	%	η_e
Max. flowrate	11460	m ³ /h	$Q_{v, max}$
Max. stat pressure	910	Pa	$p_{sf, max}$
Max. medium temperature	60	°C	$T_{m, max}$
Max. environment temperature	60	°C	$T_{amb, max}$
Min. environment temperature	-30	°C	$T_{amb, min}$
Min. voltage	100	V	U_{min}

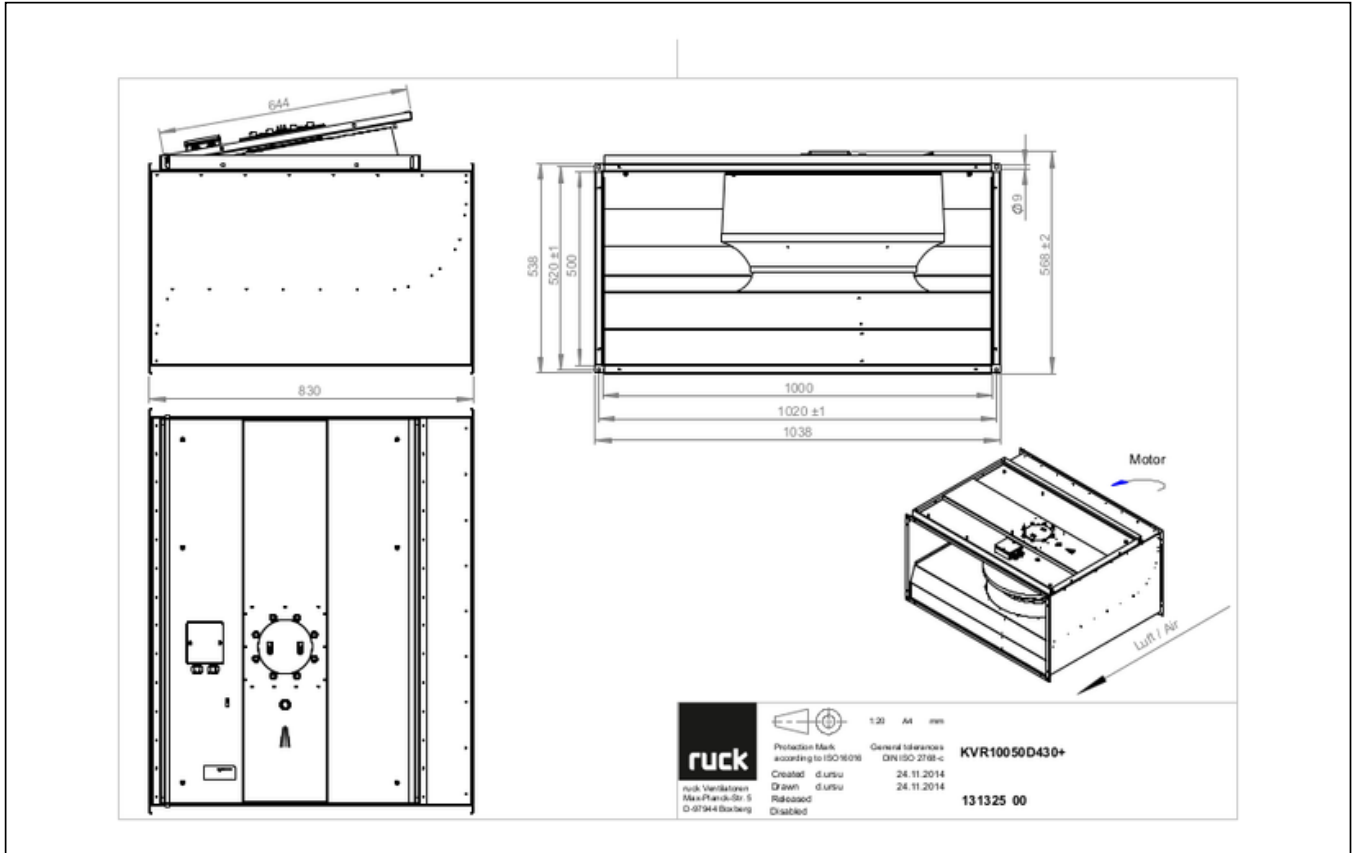


zur Produktseite

KVR 10050 D4 30

131325

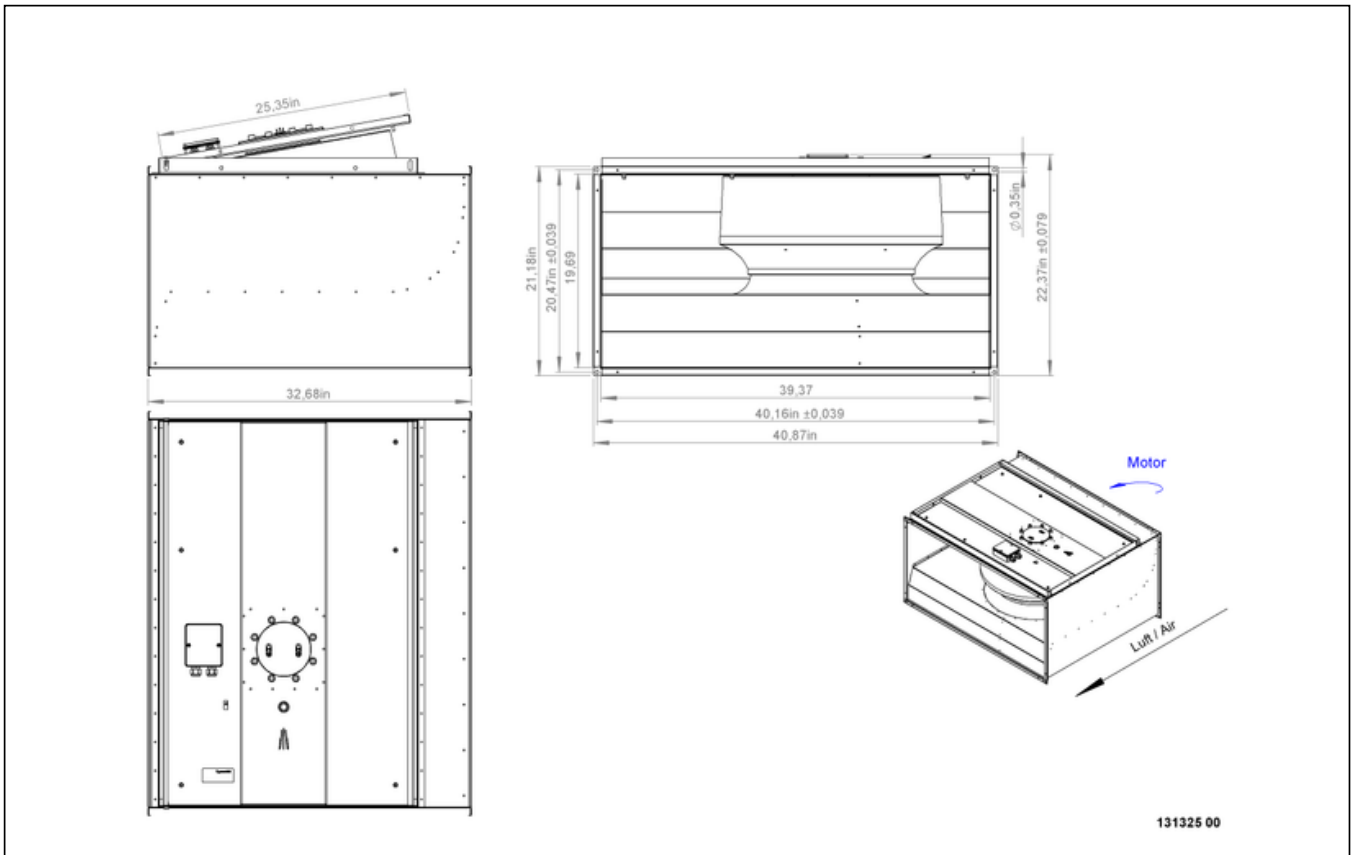
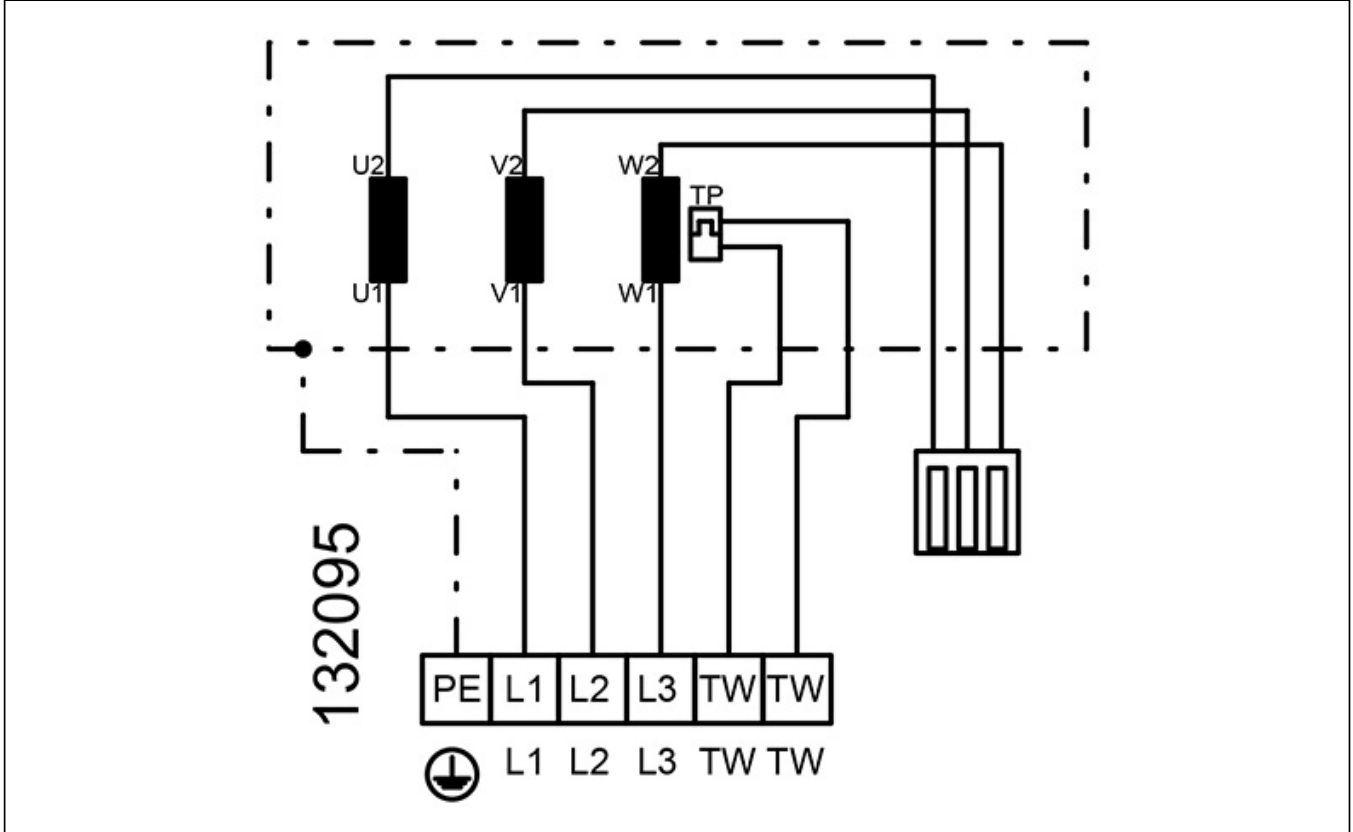
SCHALTPLÄNE / MASSZEICHNUNGEN



zur Produktseite

KVR 10050 D4 30

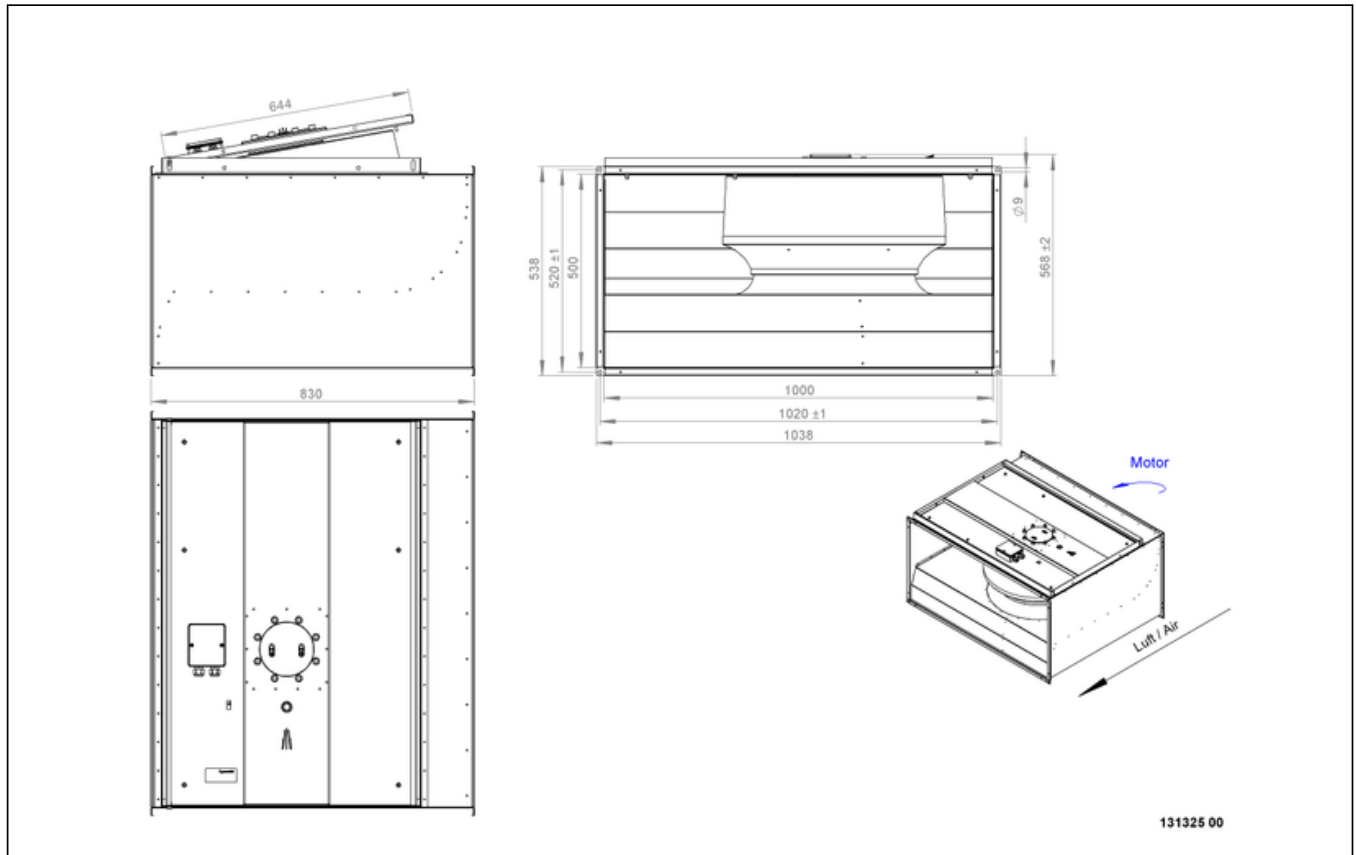
131325



zur Produktseite

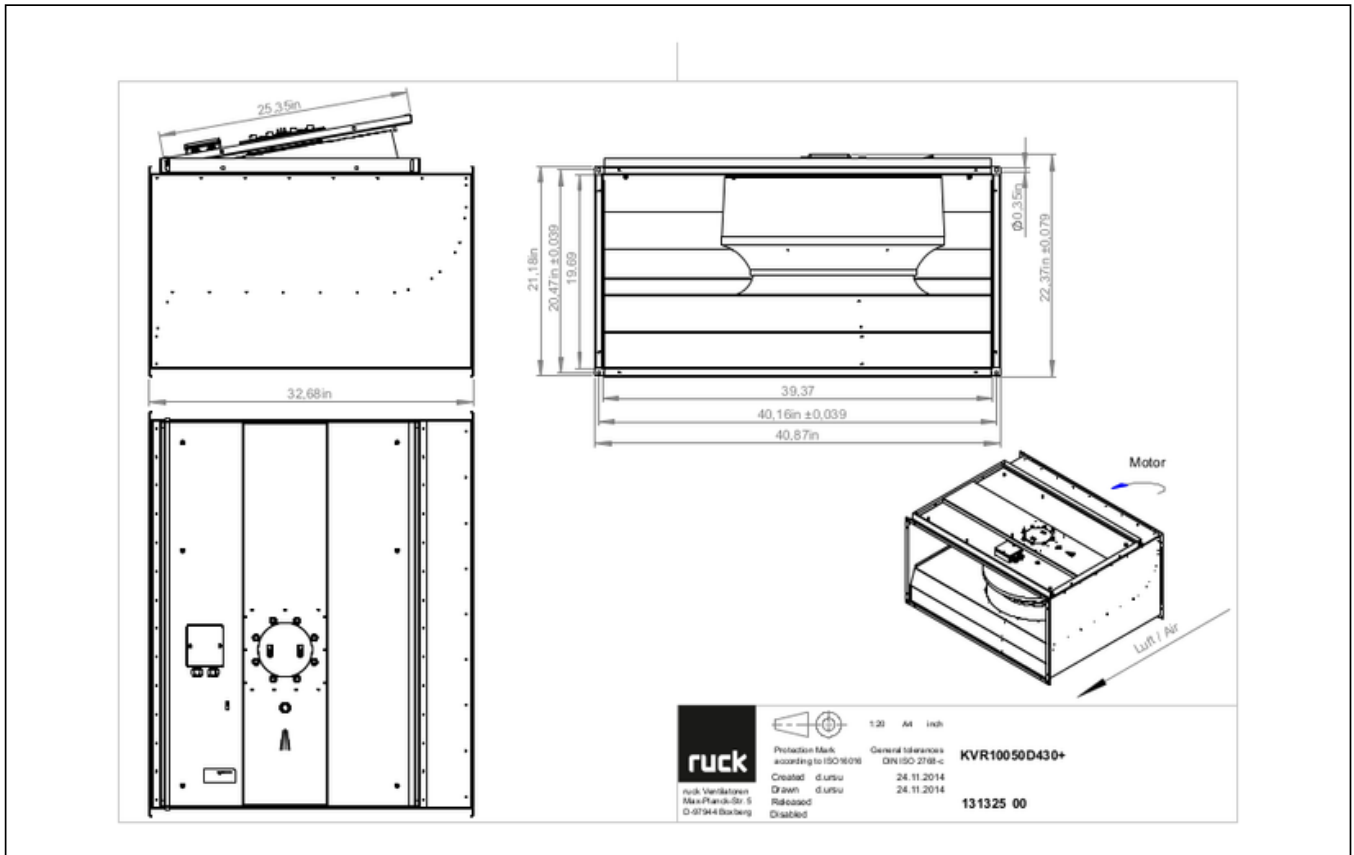
KVR 10050 D4 30

131325



KVR 10050 D4 30

131325



MECHANICAL ACCESSORIES

VKK 10050 | 103946



- Automatic shutter
- Plastic, weather resistant
- Temperature resistant up to 70 °C

VS 10050 | 103956



- Duct connector, flexible
- Standard profile flange P20
- Galvanized steel sheet, plastic band (PVC)
- Temperature resistant up to 70 °C



zur Produktseite

KVR 10050 D4 30

131325

ELECTRICAL ACCESSORIES

GS 03 | 107633



- Device switch
- $U_{max} = 400 \text{ V}$, $I_{max} = 25 \text{ A}$
- Switching capacity $400 \text{ V } 3\text{-} = 5,5 \text{ kW}$
- Protection class IP 55

TDM 060 | 111557



- 5-step transformer
- $400 \text{ V } 3\text{-}$, 50/60 Hz

TDS 060 | 113667



- 7-step transformer
- $400 \text{ V } 3\text{-}$, 50/60 Hz



zur Produktseite