

# KVRI 6035 E4 30

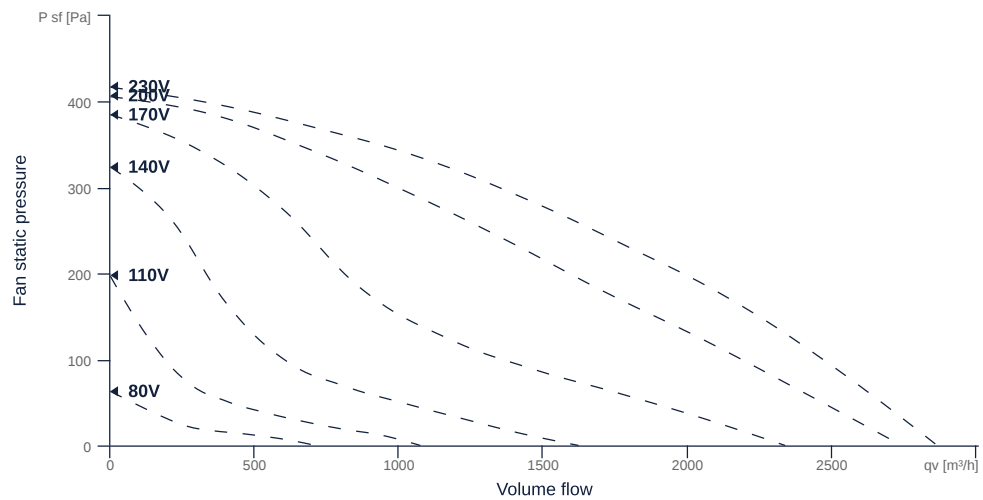
131401

- Backward curved radial impeller
- Swing out fan unit
- Galvanized sheet steel housing, double-walled, 25 mm mineral wool
- Robust single phase AC motor, steplessly controllable
- Conveyed medium temperature up to 65 °C in continuous operation



## MAP

Name	Value	Unit
Volume flow	0	m³/h
Pressure	0	Pa



zur Produktseite

## GENERAL DATA

Name	Value	Unit	Formula symbol
ERP conformity	Yes		
Certifications	CE, UKCA		
Duct size	600x350		WxH <sub>duct</sub>
Pipe connection size (DN)	-		DN
Rated voltage (entire device)	230	V	U <sub>rated</sub>
Phases (entire device)	1~		phase
Electrical protection (entire device)	6 A		fuse
Housing material	Galvanized steel		mat <sub>casing</sub>
Impeller material	Plastic		mat <sub>impeller</sub>
IP-protection class (entire device)	IPX4		IP <sub>compl</sub>
IP-Protection class (terminal box)	IP44		IP <sub>ebox</sub>
Weight	36	kg	m
Nominal air flow rate, nominal point m <sup>3</sup> /h	2314.8	m <sup>3</sup> /h	q <sub>v,nom</sub>
Nominal external pressure, static	134	Pa	p <sub>s,nom</sub>
Fan type	Radial		Fan <sub>type</sub>
Category / Installation situation	A		cat

## ERP DATA (LOT 6)

Name	Value	Unit	Formula symbol
Nominal air flow rate, nominal point m <sup>3</sup> /s	0.64	m <sup>3</sup> /s	q <sub>v,nom</sub>
Actual electrical input power, nominal point	0.24	kW	P <sub>e,nom</sub>
Face velocity, nominal point	3.06	m/s	v <sub>nom</sub>
Nominal external pressure, static	134	Pa	p <sub>s,nom</sub>
supply air fan static efficiency, nominal point	45.7	%	η <sub>es,SUP</sub>
Enclosure sound level, nominal point	58	dB(A)	L <sub>WA2</sub>
Rating	Product is compliant 2018		



zur Produktseite

# KVRI 6035 E4 30

131401

**ruck**

## MAXIMAL DATA

Name	Value	Unit	Formula symbol
Max. power consumption (device)	248	W	$P_{ed, max}$
Max. operating current (device)	1.26	A	$I_{ed, max}$
Max. speed	1450	1/min	$n_{max}$
Max. stat. efficiency	45.4	%	$\eta_{es}$
Max. fan efficiency	45.7	%	$\eta_e$
Max. flowrate	2865	m <sup>3</sup> /h	$q_v, max$
Max. stat pressure	420	Pa	$p_{sf, max}$
Max. medium temperature	40	°C	$T_m, max$
Max. environment temperature	40	°C	$T_{amb, max}$
Min. environment temperature	-25	°C	$T_{amb, min}$
Min. voltage	80	V	$U_{min}$

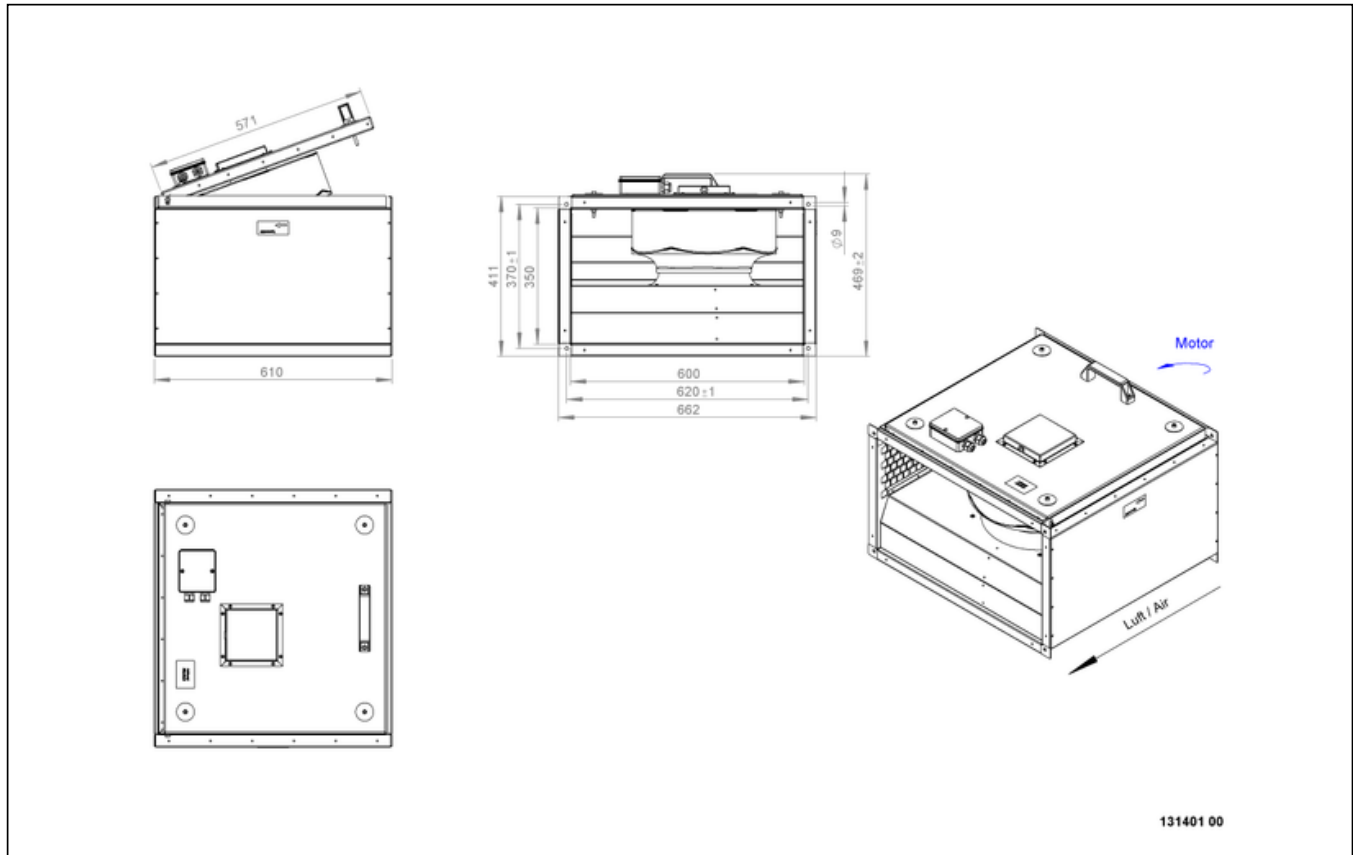


zur Produktseite

# KVRI 6035 E4 30

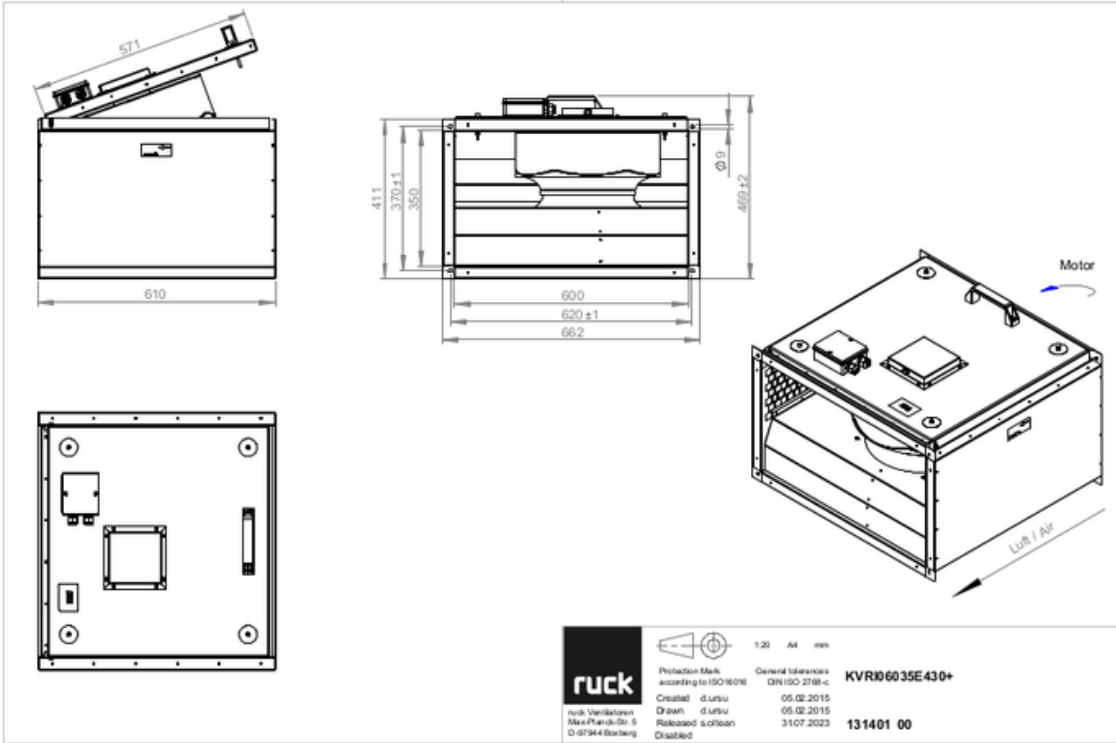
131401

## SCHALTPLÄNE / MASSZEICHNUNGEN



# KVRI 6035 E4 30

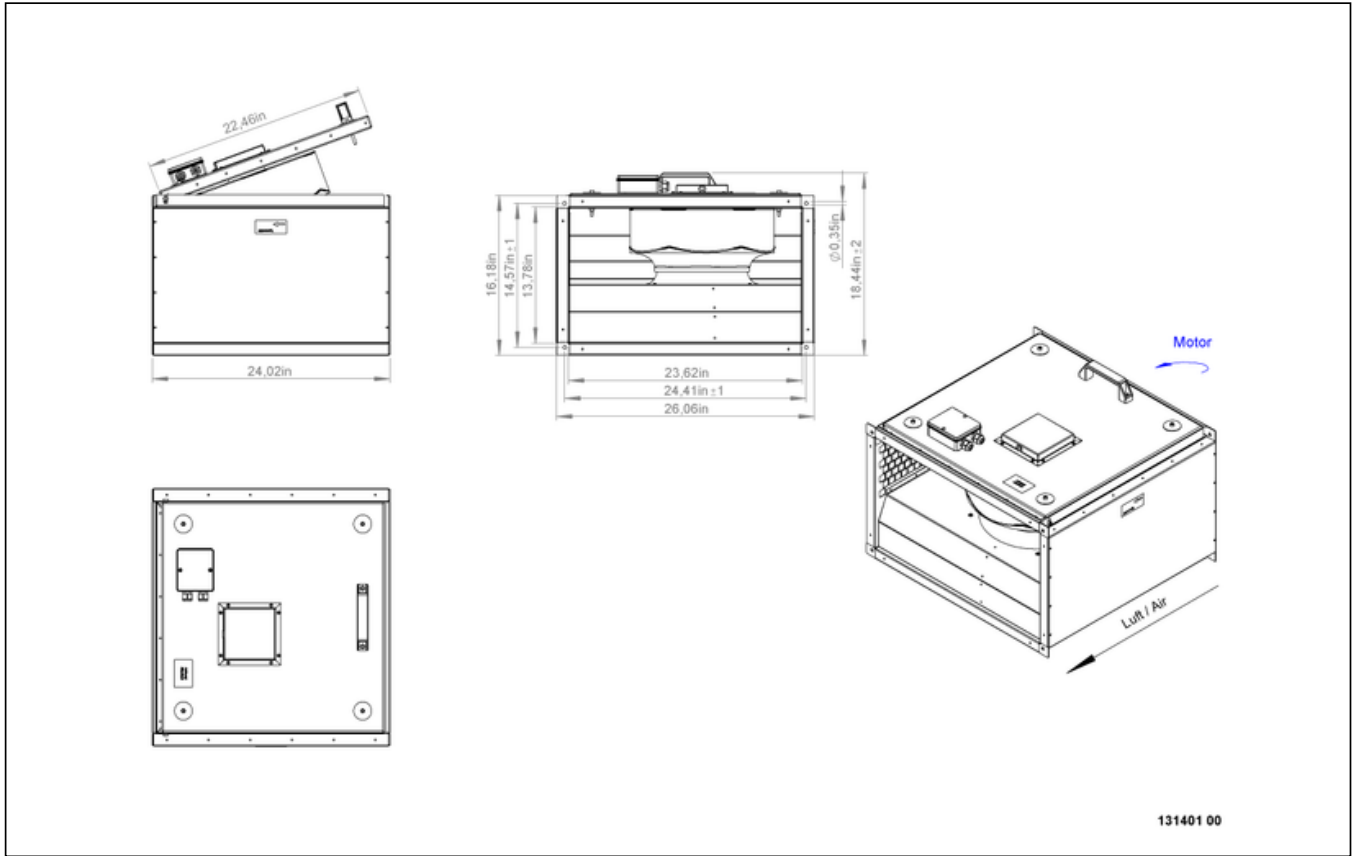
131401



zur Produktseite

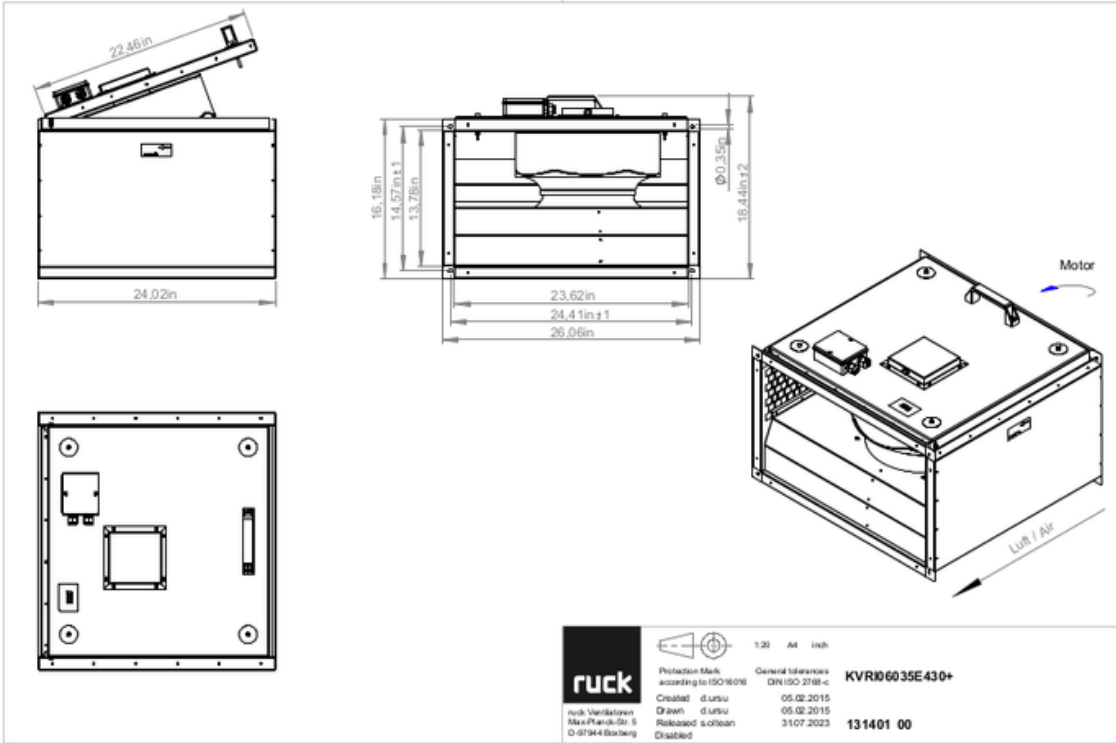
# KVRI 6035 E4 30

131401



# KVRI 6035 E4 30

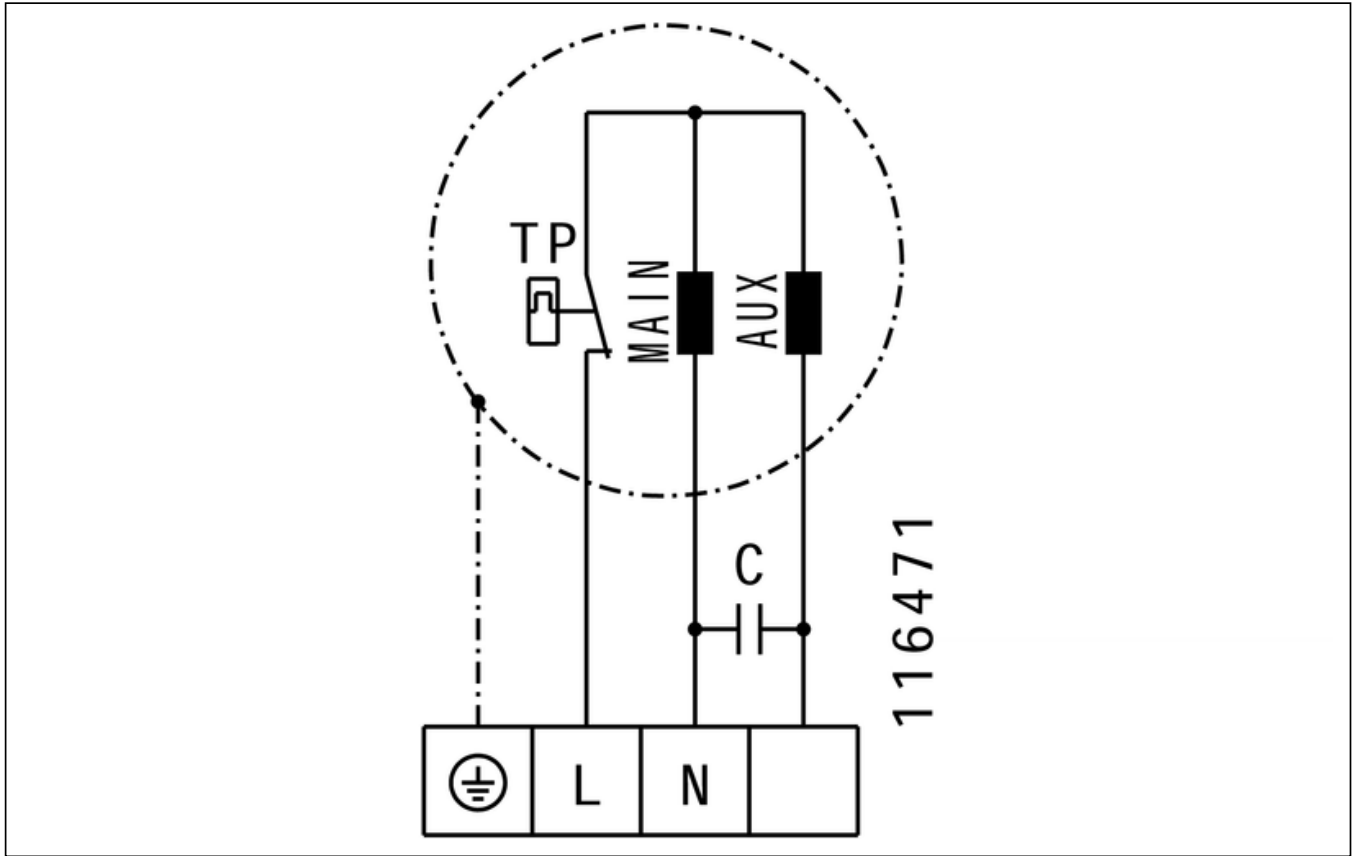
131401



zur Produktseite

# KVRI 6035 E4 30

131401



## MECHANICAL ACCESSORIES

VS 6035 | 102808



- Duct connector, flexible
- Standard profile flange P20
- Galvanized steel sheet, plastic band (PVC)
- Temperature resistant up to 70 °C

VKK 6035 | 103892



- Automatic shutter
- Plastic, weather resistant
- Temperature resistant up to 70 °C



zur Produktseite



# KVRI 6035 E4 30

131401

## ELECTRICAL ACCESSORIES

GS 01 | 102787



- Isolator switch
- $U_{max} = 400\text{ V}$ , 50/60 Hz
- Switching capacity 400 V 3~ = 5,5 kW
- $I_{max} = 16\text{ A}$

MTY 2 | 103424



- Electronic controller
- Stepless
- 230 V ~, 50 Hz
- $I_{max} = 2\text{ A}$

TES 0145 | 111858



- Step transformer
- 230 V ~, 50/60 Hz

TEE 015 | 115893



- 5-step transformer
- 230 V ~, 50/60 Hz



zur Produktseite