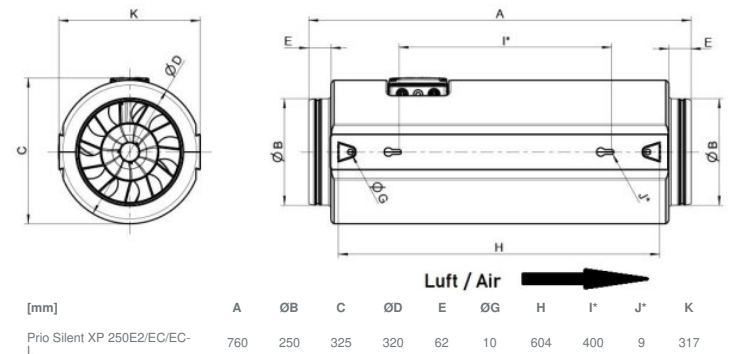




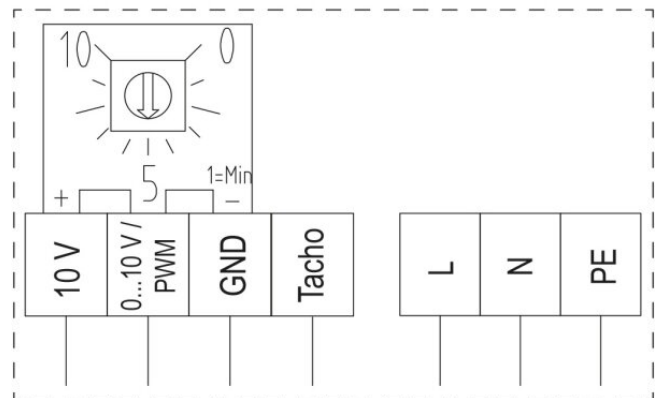
Technical parameters

Nominal data	
Voltage (nominal)	230 V
Frequency	50; 60 Hz
Phases	1~
Input power	132 W
Input current	1.13 A
Impeller speed	2,226 rpm
Air flow	max 1,787 m³/h
Temperature of transported air	max 55 °C
Max temperature of transported air, when speed controlled	55 °C
Sound data	
Sound pressure level at 1m	40 dB(A)
Protection/Classification	
Enclosure class, motor	IP44
Insulation class	B
Data according to ErP	
ErP ready	Not ErP relevant
Dimensions and weights	
Duct dimension; Circular, inlet	250 mm
Duct dimension; Circular, outlet	250 mm
Weight	6.07 kg
Others	
Motor type	EC

Dimension

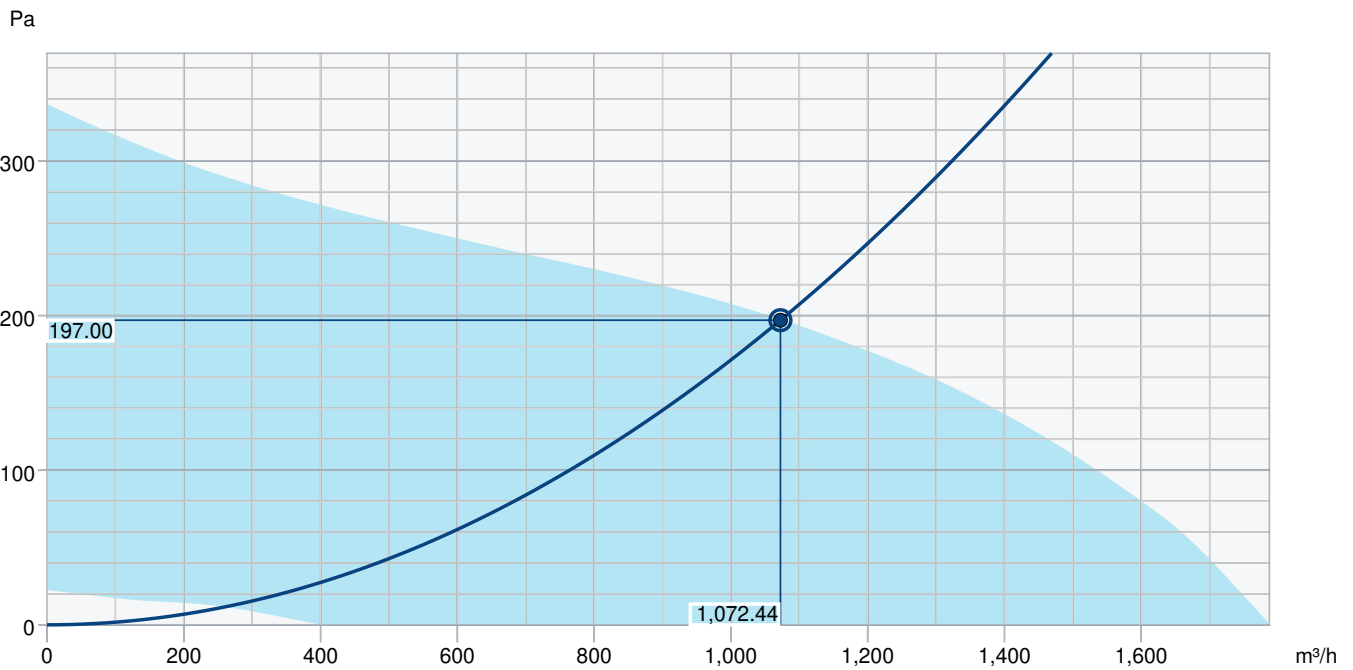


Wiring



Function / assignment	
L	Power supply 230V AC, 50..60 Hz, see name plate for voltage range
N	Neutral conductor
PE	Protective conductor
0...10V / PWM	Controller input 0...10V or PWM
10V	Voltage output 10V / Short-circuit-proof power supply for external devices (e.g. poti) prio 150EC, prio 160EC → I max=1.1mA prio 200EC, prio 250EC → I max=10mA
GND	GND-connection of the controller interface
Tacho	Speed output: Open Collector, 1 impulse per revolution, electrically isolated, Isink_max = 10mA

Performance curve



Hydraulic data										
Required air flow	1,072 m³/h									
Required static pressure	197 Pa									
Working air flow	1,072 m³/h									
Working static pressure	197 Pa									
Air density	1.204 kg/m³									
Power	122.3 W									
Fan control - RPM	2,364 rpm									
Current	1.00 A									
SFP	0.410 kW/m³/s									
Control voltage	10.0 V									
Supply voltage	230 V									
Sound power level		63	125	250	500	1k	2k	4k	8k	Total
Inlet	dB(A)	19	40	53	56	60	54	50	42	63
Outlet	dB(A)	21	41	54	58	62	56	51	43	65
Surrounding	dB(A)	12	15	30	40	49	41	30	21	50
Sound pressure level at 3m (20m² Sabine)	dB(A)	-	-	-	-	-	-	-	-	43
Sound pressure level at 3m free field	dB(A)	-	-	-	-	-	-	-	-	29
Accessories										

Accessories

- CXE/AVC Modbus (37256)
- EC-Basic-H humidity (24807)
- EC-Basic-U universal 0-10V (24806)
- EC-Vent Room Unit (3018)
- MTV-1/010 Controller 0..10V+ (30650)
- REV-3POL/03-7.5kW R/Y (33978)
- Step switch S-5EC-2, 0-10V (449084)
- CB 250-6,0 400V/2 Duct heater (5372)
- HR1 Room Humidistat (215150)
- RT 0-30 Room Thermostat (5151)
- CB 250-9,0 400V/3 Duct heater (5373)
- FFR 250 Filter cassette (1776)
- FK 250 Fast clamp (1612)
- RSK-250 Back draft damper (5603)
- VBC 250-3 Water heating batt (9843)
- VK-25 Louvre shutter (5640)
- IGC-250 Intake grille (76878)

- EC-Basic-CO2 and temperature (24808)
- EC-Basic-T temperature (24805)
- EC-Vent control board (3115)
- MTP 10, 10K, Speed control (32731)
- Potentiometer MTP 20, 0-10V (310220)
- SG 250 Protection guard (5610)
- VKK-250 Back draft damper (1627)
- CO2RT-R-D Transmitter (6993)
- Presence detector/IR24-P (6995)
- CB 250-3,0 230V/1 Duct heater (5385)
- CBM 250-6,0 400V/2 Duct heater (9089)
- FGR 250 Filter cassette (1815)
- LDC 250-900 Silencer (5196)
- VBC 250-2 Water heating batt (5460)
- VBF 250 Water heating battery (1733)
- VK-25 Louvre shutter (87687)
- Room hygrostat HR-S (286251)

Documents

- imo_prioair_en_003
- EU DECLARATION OF CONFORMITY_PRIOR_PRIOR-XP_EN_007.PDF