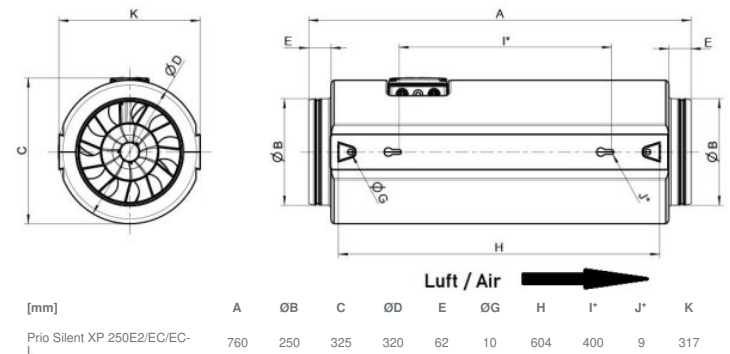




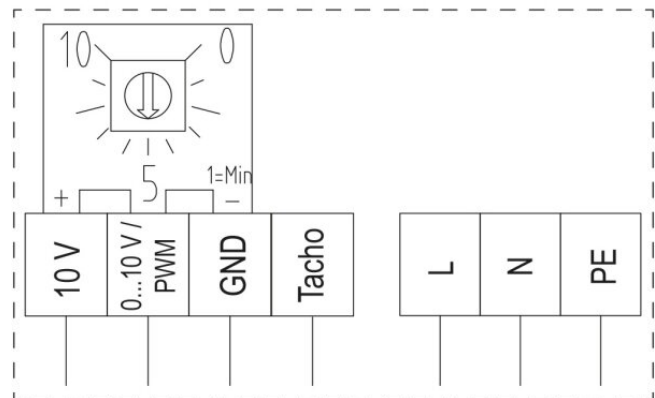
## Technical parameters

Nominal data	
Voltage (nominal)	230 V
Frequency	50; 60 Hz
Phases	1~
Input power	174 W
Input current	1.47 A
Impeller speed	2,631 rpm
Air flow	max 2,102 m³/h
Specific ratio	1
Temperature of transported air	max 55 °C
Max temperature of transported air, when speed controlled	55 °C
Sound data	
Sound pressure level at 1m	44 dB(A)
Protection/Classification	
Enclosure class, motor	IP44
Insulation class	B
Dimensions and weights	
Duct dimension; Circular, inlet	250 mm
Duct dimension; Circular, outlet	250 mm
Weight	6.43 kg
Others	
Motor type	EC

## Dimension

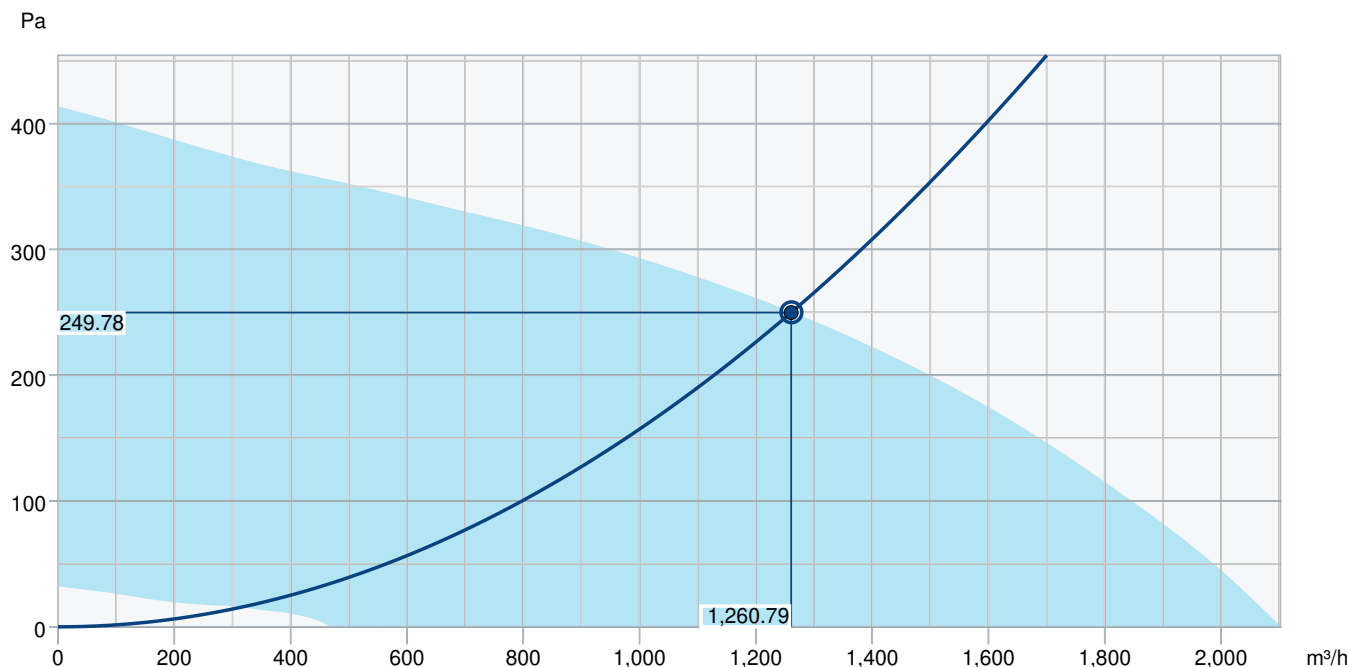


## Wiring



Function / assignment	
L	Power supply 230V AC, 50..60 Hz, see name plate for voltage range
N	Neutral conductor
PE	Protective conductor
0...10V / PWM	Controller input 0...10V or PWM
10V	Voltage output 10V / Short-circuit-proof power supply for external devices (e.g. poti) prio 150EC, prio 160EC → I max=1.1mA prio 200EC, prio 250EC → I max=10mA
GND	GND-connection of the controller interface
Tacho	Speed output: Open Collector, 1 impulse per revolution, electrically isolated, Isink_max=10mA

## Performance curve



Hydraulic data										
Required air flow										1,261 m³/h
Required static pressure										250 Pa
Working air flow										1,261 m³/h
Working static pressure										250 Pa
Air density										1.204 kg/m³
Power										172.8 W
Fan control - RPM										2,673 rpm
Current										1.40 A
SFP										0.493 kW/m³/s
Control voltage										10.0 V
Supply voltage										230 V
Sound power level		63	125	250	500	1k	2k	4k	8k	Total
Inlet	dB(A)	25	41	55	58	66	59	53	47	68
Outlet	dB(A)	26	43	56	60	68	60	55	48	69
Surrounding	dB(A)	10	18	32	46	56	47	35	27	57
Sound pressure level at 3m (20m² Sabine)	dB(A)	-	-	-	-	-	-	-	-	50
Sound pressure level at 3m free field	dB(A)	-	-	-	-	-	-	-	-	36
Accessories										

## Accessories

CXE/AVC Modbus (37256)

EC-Basic-H humidity (24807)

EC-Basic-U universal 0-10V (24806)

EC-Vent Room Unit (3018)

MTV-1/010 Controller 0..10V+ (30650)

REV-3POL/03-7.5kW R/Y (33978)

Step switch S-5EC-2, 0-10V (449084)

CB 250-6,0 400V/2 Duct heater (5372)

HR1 Room Humidistat (215150)

RT 0-30 Room Thermostat (5151)

CB 250-9,0 400V/3 Duct heater (5373)

FFR 250 Filter cassette (1776)

FK 250 Fast clamp (1612)

RSK-250 Back draft damper (5603)

VBC 250-3 Water heating batt (9843)

VK-25 Louvre shutter (5640)

IGC-250 Intake grille (76878)

EC-Basic-CO2 and temperature (24808)

EC-Basic-T temperature (24805)

EC-Vent control board (3115)

MTP 10, 10K, Speed control (32731)

Potentiometer MTP 20, 0-10V (310220)

SG 250 Protection guard (5610)

VKK-250 Back draft damper (1627)

CO2RT-R-D Transmitter (6993)

Presence detector/IR24-P (6995)

CB 250-3,0 230V/1 Duct heater (5385)

CBM 250-6,0 400V/2 Duct heater (9089)

FGR 250 Filter cassette (1815)

LDC 250-900 Silencer (5196)

VBC 250-2 Water heating batt (5460)

VBF 250 Water heating battery (1733)

VK-25 Louvre shutter (87687)

Room hygrostat HR-S (286251)

## Documents

imo\_prioair\_en\_003

EU DECLARATION OF CONFORMITY\_PRIOR\_PRIOR-XP\_EN\_007.PDF