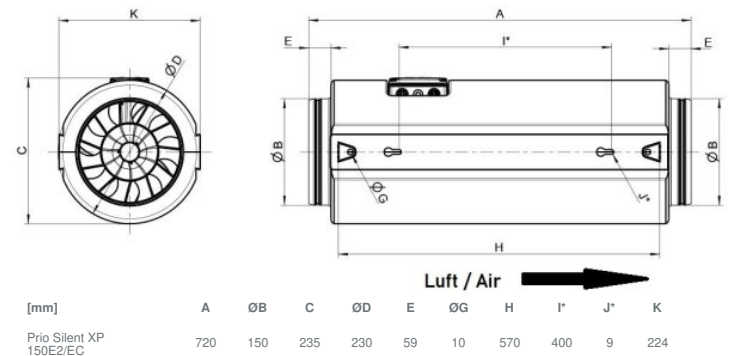




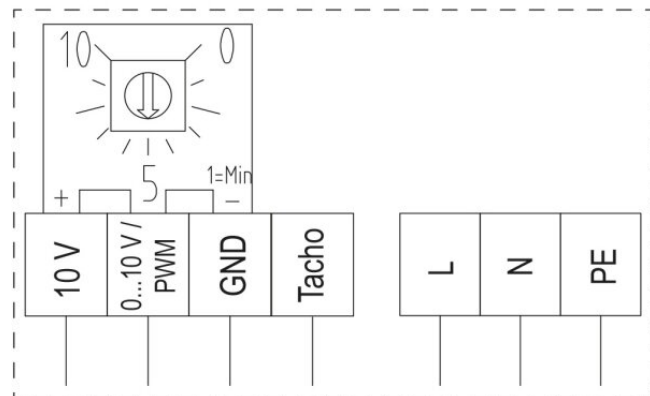
Technical parameters

Nominal data	
Voltage (nominal)	230 V
Frequency	50; 60 Hz
Phases	1~
Input power	80 W
Input current	0.7 A
Impeller speed	4,277 rpm
Air flow	max 764 m ³ /h
Temperature of transported air	max 55 °C
Max temperature of transported air, when speed controlled	55 °C
Sound data	
Sound pressure level at 1m	38 dB(A)
Protection/Classification	
Enclosure class, motor	IP44
Insulation class	B
Data according to ErP	
ErP ready	Not ErP relevant
Dimensions and weights	
Duct dimension; Circular, inlet	150 mm
Duct dimension; Circular, outlet	150 mm
Weight	3.28 kg
Others	
Motor type	EC

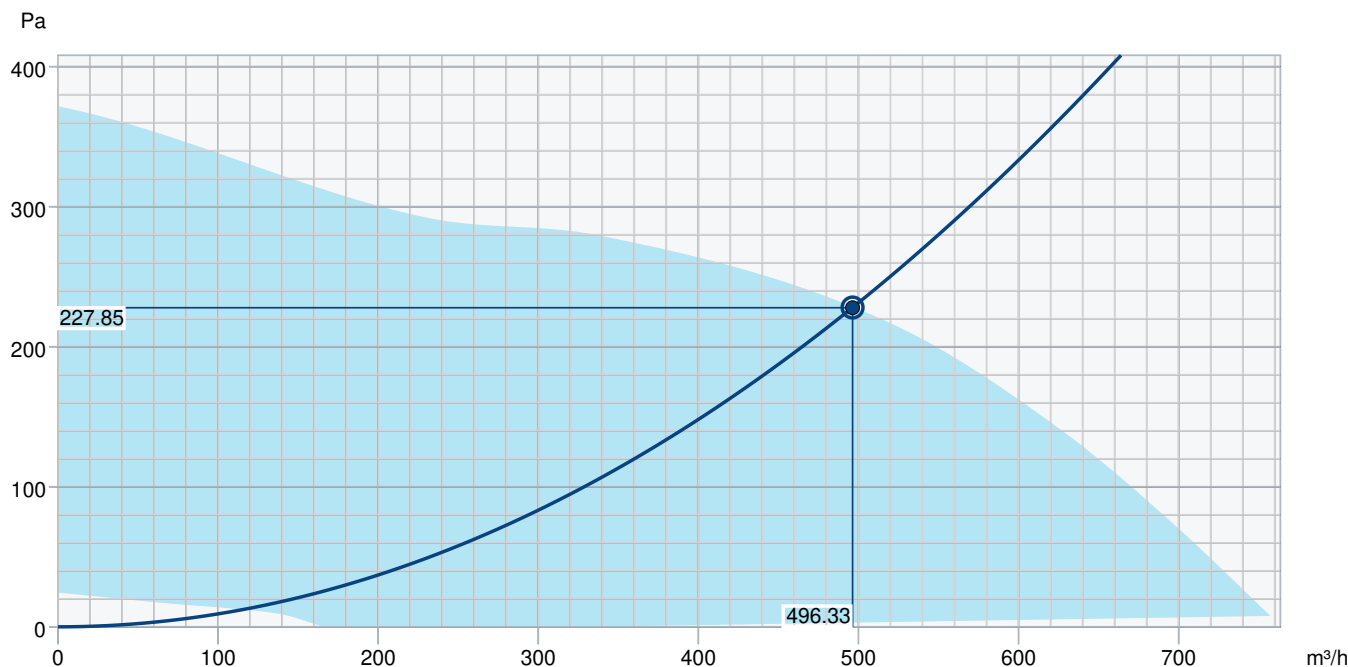
Dimension



Wiring



Performance curve



Hydraulic data										
Required air flow	496 m³/h									
Required static pressure	228 Pa									
Working air flow	496 m³/h									
Working static pressure	228 Pa									
Air density	1.204 kg/m³									
Power	78.9 W									
Fan control - RPM	4,296 rpm									
Current	0.69 A									
SFP	0.572 kW/m³/s									
Control voltage	10.0 V									
Supply voltage	230 V									
Sound power level		63	125	250	500	1k	2k	4k	8k	Total
Inlet	dB(A)	26	37	42	55	56	55	46	39	60
Outlet	dB(A)	28	38	44	56	57	56	47	41	62
Surrounding	dB(A)	11	<10	26	38	47	47	36	28	51
Sound pressure level at 3m (20m² Sabine)	dB(A)	-	-	-	-	-	-	-	-	44
Sound pressure level at 3m free field	dB(A)	-	-	-	-	-	-	-	-	30
Accessories										

Accessories

CXE/AVC Modbus (37256)

EC-Basic-H humidity (24807)

EC-Basic-U universal 0-10V (24806)

EC-Vent Room Unit (3018)

MTV-1/010 Controller 0..10V+ (30650)

REV-3POL/03-7.5kW R/Y (33978)

Step switch S-5EC-2, 0-10V (449084)

HR1 Room Humidistat (215150)

RT 0-30 Room Thermostat (5151)

CB 150-2,1 230V/1 Duct heater (5379)

CB 150-5,0 400V/2 Duct heater (5381)

FFR 150 Filter cassette (1769)

FK 150 Fast clamp (1609)

RSK-150 Back draft damper (5599)

Room hygrostat HR-S (286251)

EC-Basic-CO2 and temperature (24808)

EC-Basic-T temperature (24805)

EC-Vent control board (3115)

MTP 10, 10K, Speed control (32731)

Potentiometer MTP 20, 0-10V (310220)

SG 150 Protection guard (5555)

CO2RT-R-D Transmitter (6993)

Presence detector/IR24-P (6995)

CB 150-1,2 230V/1 Duct heater (5378)

CB 150-2,7 230V/1 Duct heater (5380)

CBM 150-2,1 230V/1 Duct heater (5481)

FGR 150 Filter cassette (1807)

LDC 150-600 Silencer (5199)

VK-15 Louvre shutter (87679)

Documents

imo_prioair_en_003

EU DECLARATION OF CONFORMITY_PRIO_PRIO-XP_EN_007.PDF