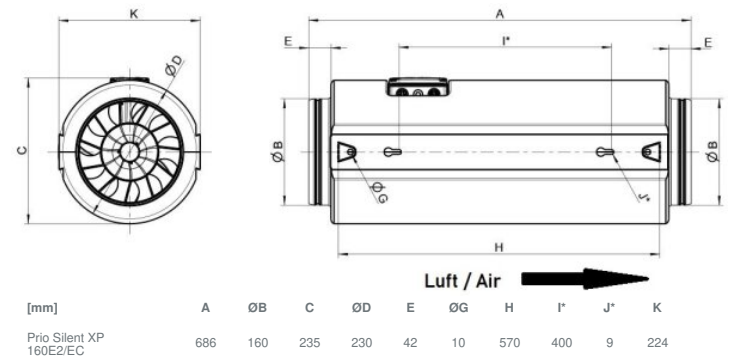




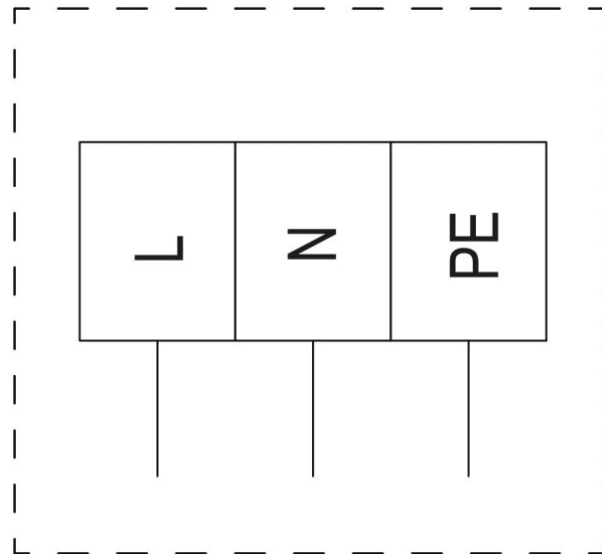
Technical parameters

Nominal data	
Voltage (nominal)	230 V
Frequency	50 Hz
Phases	1~
Input power	28 W
Input current	0.13 A
Impeller speed	2,328 rpm
Air flow	max 431 m ³ /h
Temperature of transported air	max 55 °C
Max temperature of transported air, when speed controlled	55 °C
Sound data	
Sound pressure level at 1m	27 dB(A)
Protection/Classification	
Enclosure class, motor	IP44
Insulation class	F
Data according to ErP	
ErP ready	Not ErP relevant
Dimensions and weights	
Duct dimension; Circular, inlet	160 mm
Duct dimension; Circular, outlet	160 mm
Weight	3.12 kg
Others	
Motor type	AC

Dimension

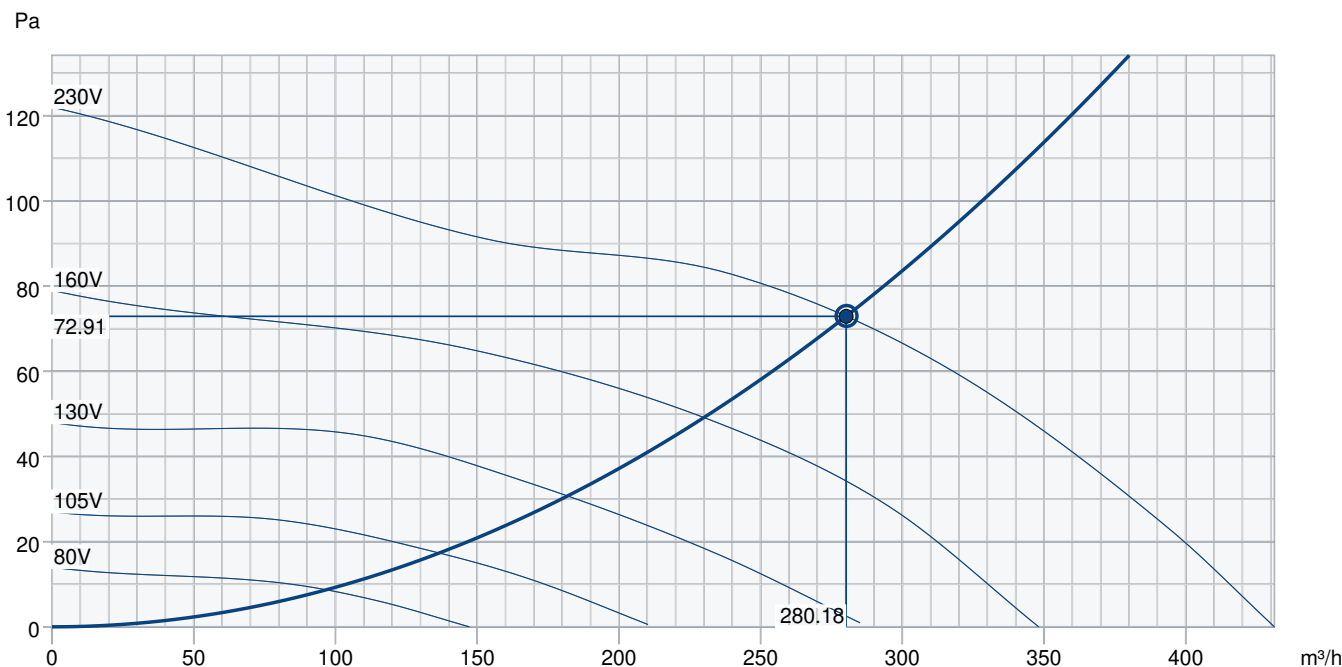


Wiring



	Function / assignment
L	Power supply 230V AC, 50...60Hz
N	Neutral conductor
PE	Protective conductor
Speed control:	Voltage controllable (See accessories in ouronline catalogue)
Motor protection:	By integratet thermal contacts

Performance curve



Hydraulic data										
Required air flow	280 m³/h									
Required static pressure	73 Pa									
Working air flow	280 m³/h									
Working static pressure	73 Pa									
Air density	1.204 kg/m³									
Power	27.1 W									
Fan control - RPM	2,389 rpm									
Current	0.10 A									
SFP	0.349 kW/m³/s									
Control voltage	230.0 V									
Supply voltage	230 V									
Sound power level		63	125	250	500	1k	2k	4k	8k	Total
Inlet	dB(A)	14	34	35	43	46	37	24	20	49
Outlet	dB(A)	15	36	37	45	48	39	25	21	50
Surrounding	dB(A)	<10	<10	18	26	35	28	15	<10	36
Sound pressure level at 3m (20m² Sabine)	dB(A)	-	-	-	-	-	-	-	-	29
Sound pressure level at 3m free field	dB(A)	-	-	-	-	-	-	-	-	15
Accessories										

Accessories

[Frequency converter FRQ5SE-6A \(37421\)](#)
[RE 1.5 Speed control \(5000\)](#)
[REPT 6 Digital regulator \(5698\)](#)
[REU 1.5 Speed control \(5004\)](#)
[SG 160 Protection guard \(5608\)](#)
[CO2RT-R-D Transmitter \(6993\)](#)
[Frequency converter FRQSE-6A \(37419\)](#)
[Presence detector/IR24-P \(6995\)](#)
[T 120 Timer \(5165\)](#)
[CB 160-2,1 230V/1 Duct heater \(5292\)](#)
[CB 160-5,0 400V/2 Duct heater \(5383\)](#)
[CWK 160-3-2,5 Duct cooler,circ \(30022\)](#)
[FGR 160 Filter cassette \(1809\)](#)
[LDC 160-600 Silencer \(5192\)](#)
[RSK-160 Back draft damper \(5601\)](#)
[VBC 160-3 Water heating batt \(9840\)](#)
[VK-15 Louvre shutter \(87679\)](#)
[Room hygrostat HR-S \(286251\)](#)

[IGK-160 Wall Grid \(1632\)](#)
[REE 1 Speed control \(5314\)](#)
[RETP 6 Temp/Pressure regulator \(32293\)](#)
[REV-3POL/03-7,5kW R/Y \(33978\)](#)
[VKK-160 Back draft damper \(1625\)](#)
[DTV500A \(96807\)](#)
[HR1 Room Humidistat \(215150\)](#)
[RT 0-30 Room Thermostat \(5151\)](#)
[CB 160-1,2 230V/1 Duct heater \(5291\)](#)
[CB 160-2,7 230V/1 Duct heater \(5382\)](#)
[CBM 160-2,1 230V/1 Duct heater \(5482\)](#)
[FFR 160 Filter cassette \(1770\)](#)
[FK 160 Fast clamp \(1610\)](#)
[LDC 160-900 Silencer \(5193\)](#)
[VBC 160-2 Water heating batt \(5458\)](#)
[VBF 160 Water heating battery \(1731\)](#)
[IGC-160 Intake grille \(76876\)](#)

Documents

[imo_prioair_en_003](#)
[EU DECLARATION OF CONFORMITY_PRIO_PRIO-XP_EN_007.PDF](#)