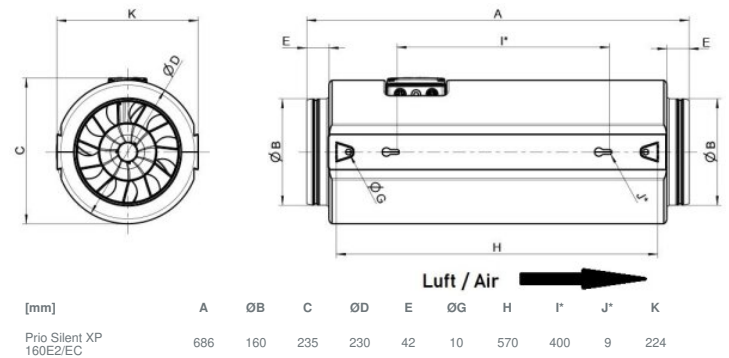




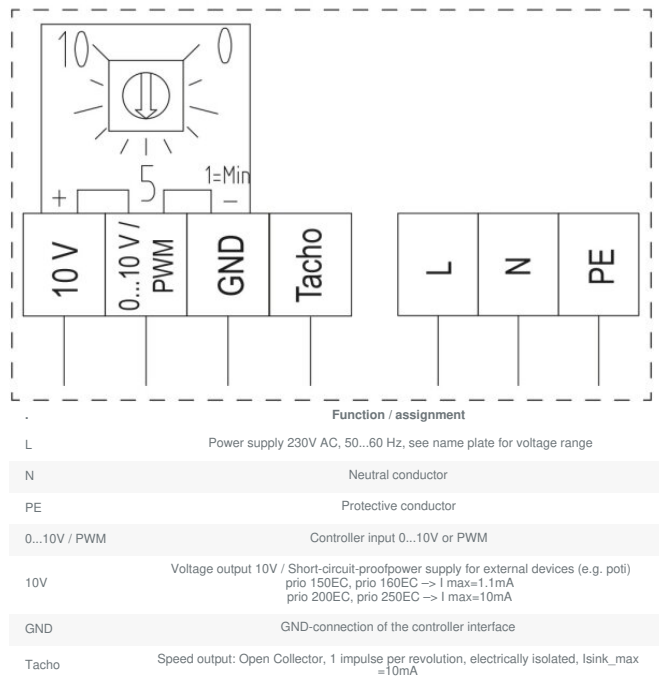
## Technical parameters

Nominal data	
Voltage (nominal)	230 V
Frequency	50; 60 Hz
Phases	1~
Input power	83 W
Input current	0.72 A
Impeller speed	4,238 rpm
Air flow	max 788 m³/h
Temperature of transported air	max 55 °C
Max temperature of transported air, when speed controlled	55 °C
Sound data	
Sound pressure level at 1m	41 dB(A)
Protection/Classification	
Enclosure class, motor	IP44
Insulation class	B
Data according to ErP	
ErP ready	Not ErP relevant
Dimensions and weights	
Duct dimension; Circular, inlet	160 mm
Duct dimension; Circular, outlet	160 mm
Weight	3.17 kg
Others	
Motor type	EC

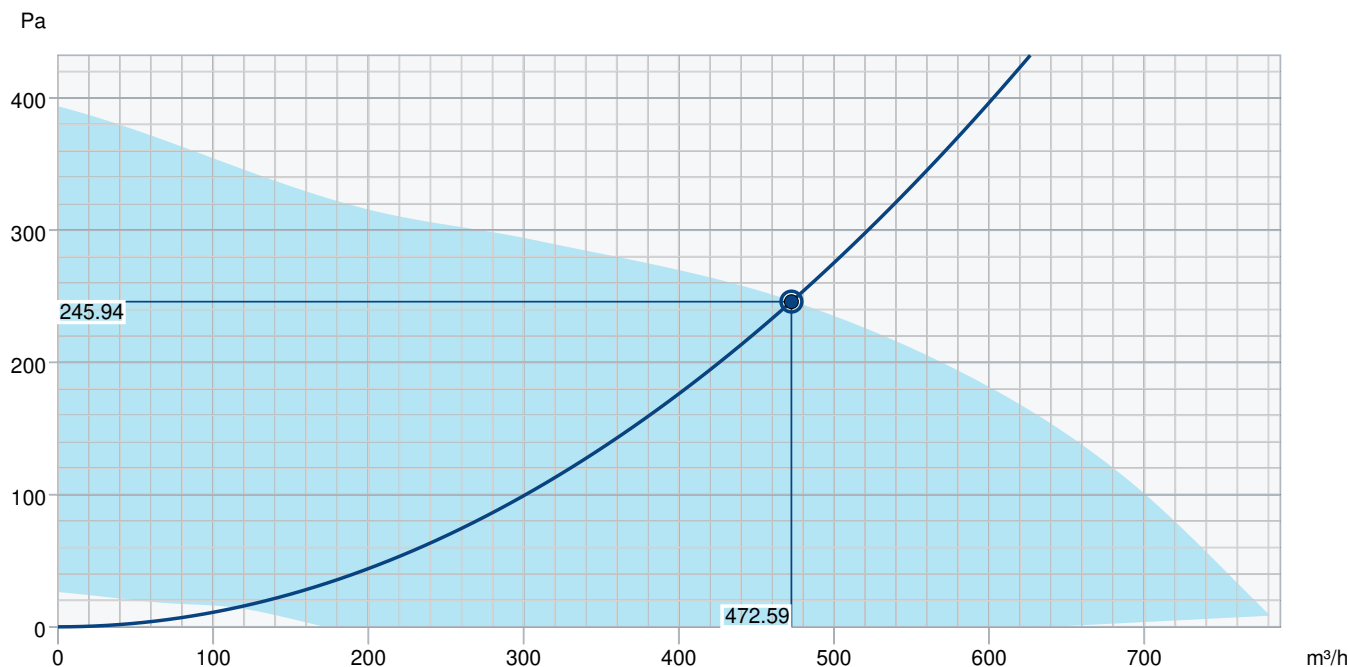
## Dimension



## Wiring



## Performance curve



Hydraulic data										
Required air flow	473 m³/h									
Required static pressure	246 Pa									
Working air flow	473 m³/h									
Working static pressure	246 Pa									
Air density	1.204 kg/m³									
Power	78.7 W									
Fan control - RPM	4,318 rpm									
Current	0.70 A									
SFP	0.599 kW/m³/s									
Control voltage	10.0 V									
Supply voltage	230 V									
Sound power level		63	125	250	500	1k	2k	4k	8k	Total
Inlet	dB(A)	23	37	41	54	54	56	47	40	60
Outlet	dB(A)	24	39	42	55	56	58	48	41	61
Surrounding	dB(A)	<10	<10	26	38	46	49	38	28	51
Sound pressure level at 3m (20m² Sabine)	dB(A)	-	-	-	-	-	-	-	-	44
Sound pressure level at 3m free field	dB(A)	-	-	-	-	-	-	-	-	30
Accessories										

## Accessories

CXE/AVC Modbus (37256)

EC-Basic-H humidity (24807)

EC-Basic-U universal 0-10V (24806)

EC-Vent Room Unit (3018)

MTP 10, 10K, Speed control (32731)

Potentiometer MTP 20, 0-10V (310220)

SG 160 Protection guard (5608)

VKK-160 Back draft damper (1625)

HR1 Room Humidistat (215150)

RT 0-30 Room Thermostat (5151)

CB 160-2,1 230V/1 Duct heater (5292)

CB 160-5,0 400V/2 Duct heater (5383)

CWK 160-3-2,5 Duct cooler,circ (30022)

FGR 160 Filter cassette (1809)

LDC 160-300 Silencer (53108)

LDC 160-900 Silencer (5193)

VBC 160-2 Water heating batt (5458)

VK-15 Louvre shutter (87679)

Room hygrostat HR-S (286251)

EC-Basic-CO2 and temperature (24808)

EC-Basic-T temperature (24805)

EC-Vent control board (3115)

IGK-160 Wall Grid (1632)

MTV-1/010 Controller 0..10V+ (30650)

REV-3POL/03-7,5kW R/Y (33978)

Step switch S-5EC-2, 0-10V (449084)

CO2RT-R-D Transmitter (6993)

Presence detector/IR24-P (6995)

CB 160-1,2 230V/1 Duct heater (5291)

CB 160-2,7 230V/1 Duct heater (5382)

CBM 160-2,1 230V/1 Duct heater (5482)

FFR 160 Filter cassette (1770)

FK 160 Fast clamp (1610)

LDC 160-600 Silencer (5192)

RSK-160 Back draft damper (5601)

VBC 160-3 Water heating batt (9840)

IGC-160 Intake grille (76876)

## Documents

imo\_prioair\_en\_003

EU DECLARATION OF CONFORMITY\_PRIOR\_PRIOR-XP\_EN\_007.PDF