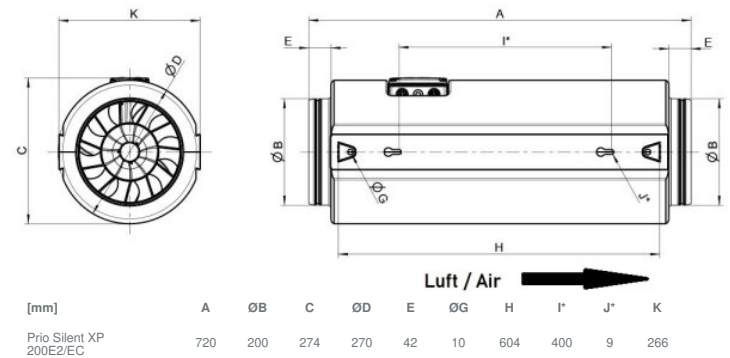




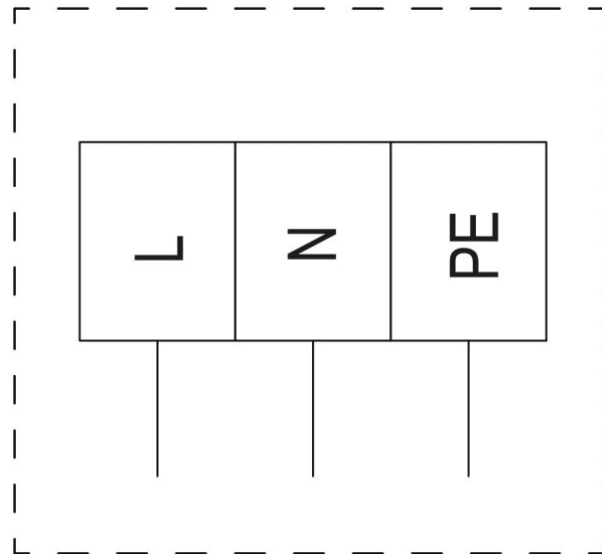
Technical parameters

Nominal data	
Voltage (nominal)	230 V
Frequency	50 Hz
Phases	1~
Input power	80 W
Input current	0.36 A
Impeller speed	2,552 rpm
Air flow	max 956 m ³ /h
Temperature of transported air	max 55 °C
Max temperature of transported air, when speed controlled	55 °C
Sound data	
Sound pressure level at 1m	36 dB(A)
Protection/Classification	
Enclosure class, motor	IP44
Insulation class	B
Data according to ErP	
ErP ready	Not ErP relevant
Dimensions and weights	
Duct dimension; Circular, inlet	200 mm
Duct dimension; Circular, outlet	200 mm
Weight	4.29 kg
Others	
Motor type	AC

Dimension

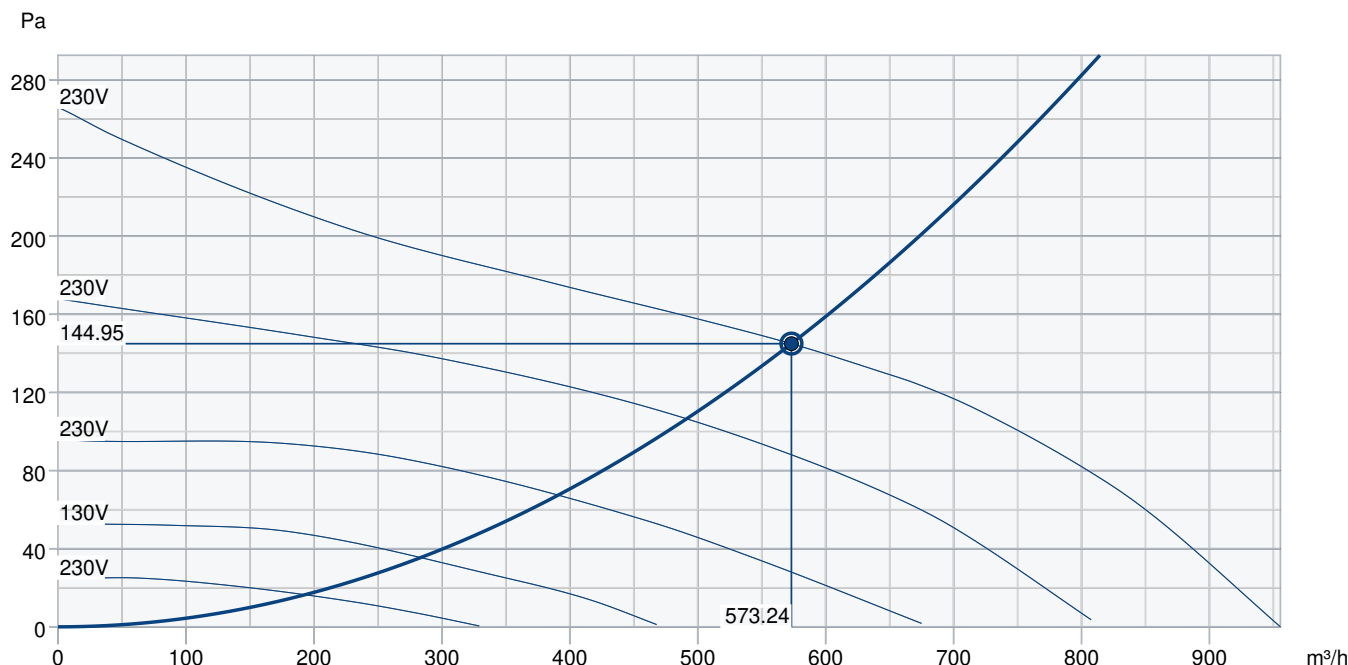


Wiring



	Function / assignment
L	Power supply 230V AC, 50...60Hz
N	Neutral conductor
PE	Protective conductor
Speed control:	Voltage controllable (See accessories in ouronline catalogue)
Motor protection:	By integratet thermal contacts

Performance curve



Hydraulic data										
Required air flow	573 m³/h									
Required static pressure	145 Pa									
Working air flow	573 m³/h									
Working static pressure	145 Pa									
Air density	1.204 kg/m³									
Power	69.1 W									
Fan control - RPM	2,656 rpm									
Current	0.30 A									
SFP	0.434 kW/m³/s									
Control voltage	230.0 V									
Supply voltage	230 V									
Sound power level		63	125	250	500	1k	2k	4k	8k	Total
Inlet	dB(A)	21	38	45	51	54	46	41	36	57
Outlet	dB(A)	22	39	46	52	56	47	43	38	58
Surrounding	dB(A)	<10	<10	19	32	41	32	23	15	42
Sound pressure level at 3m (20m² Sabine)	dB(A)	-	-	-	-	-	-	-	-	35
Sound pressure level at 3m free field	dB(A)	-	-	-	-	-	-	-	-	21
Accessories										

Accessories

Frequency converter FRQ5SE-6A (37421)

REE 1 Speed control (5314)

RETP 6 Temp/Pressure regulator (32293)

REV-3POL/03-7.5kW R/Y (33978)

VKK-200 Back draft damper (1626)

DTV500A (96807)

HR1 Room Humidistat (215150)

Presence detector/IR24-P (6995)

T 120 Timer (5165)

CB 200-2,1 230V/1 Duct heater (5384)

CB 200-3,0 400V/2 Duct heater (5294)

CBM 200-5,0 400V/2 Duct heater (5483)

FFR 200 Filter cassette (1773)

FK 200 Fast clamp (1611)

VBC 200-2 Water heating batt (5459)

VK-20 Louvre shutter (87686)

Room hygrostat HR-S (286251)

RE 1,5 Speed control (5000)

REPT 6 Digital regulator (5698)

REU 1.5 Speed control (5004)

SG 200 Protection guard (5609)

CO2RT-R-D Transmitter (6993)

Frequency converter FRQSE-6A (37419)

IGK-200 Wall Grid (1633)

RT 0-30 Room Thermostat (5151)

VBF 200 Water heating battery (1732)

CB 200-3,0 230V/1 Duct heater (5370)

CB 200-5,0 400V/2 Duct heater (5371)

CWK 200-3-2,5 Duct cooler,circ (30023)

FGR 200 Filter cassette (1812)

RSK-200 Back draft damper (5602)

VBC 200-3 Water heating batt (9841)

IGC-200 Intake grille (76877)

Documents

imo_prioair_en_003

EU DECLARATION OF CONFORMITY_PRIOR_PRIOR-XP_EN_007.PDF