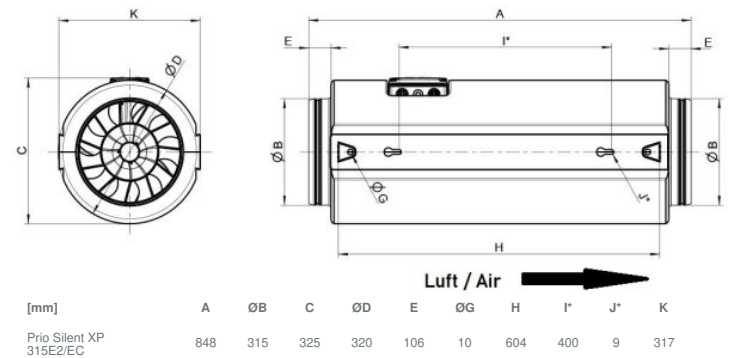




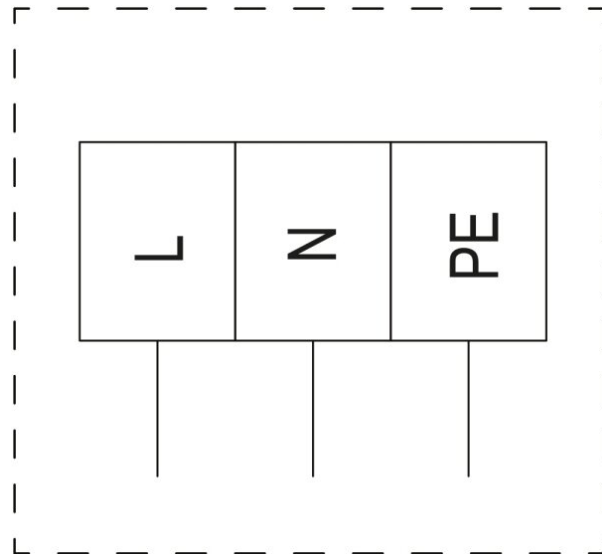
Technical parameters

Nominal data	
Voltage (nominal)	230 V
Frequency	50 Hz
Phases	1~
Input power	232 W
Input current	1.01 A
Impeller speed	2,602 rpm
Air flow	max 2,111 m ³ /h
Specific ratio	1
Temperature of transported air	max 55 °C
Max temperature of transported air, when speed controlled	55 °C
Sound data	
Sound pressure level at 1m	43 dB(A)
Protection/Classification	
Enclosure class, motor	IP44
Insulation class	F
Data according to ErP	
ErP ready	ErP 2018
Dimensions and weights	
Duct dimension; Circular, inlet	315 mm
Duct dimension; Circular, outlet	315 mm
Weight	8.69 kg
Others	
Motor type	AC

Dimension

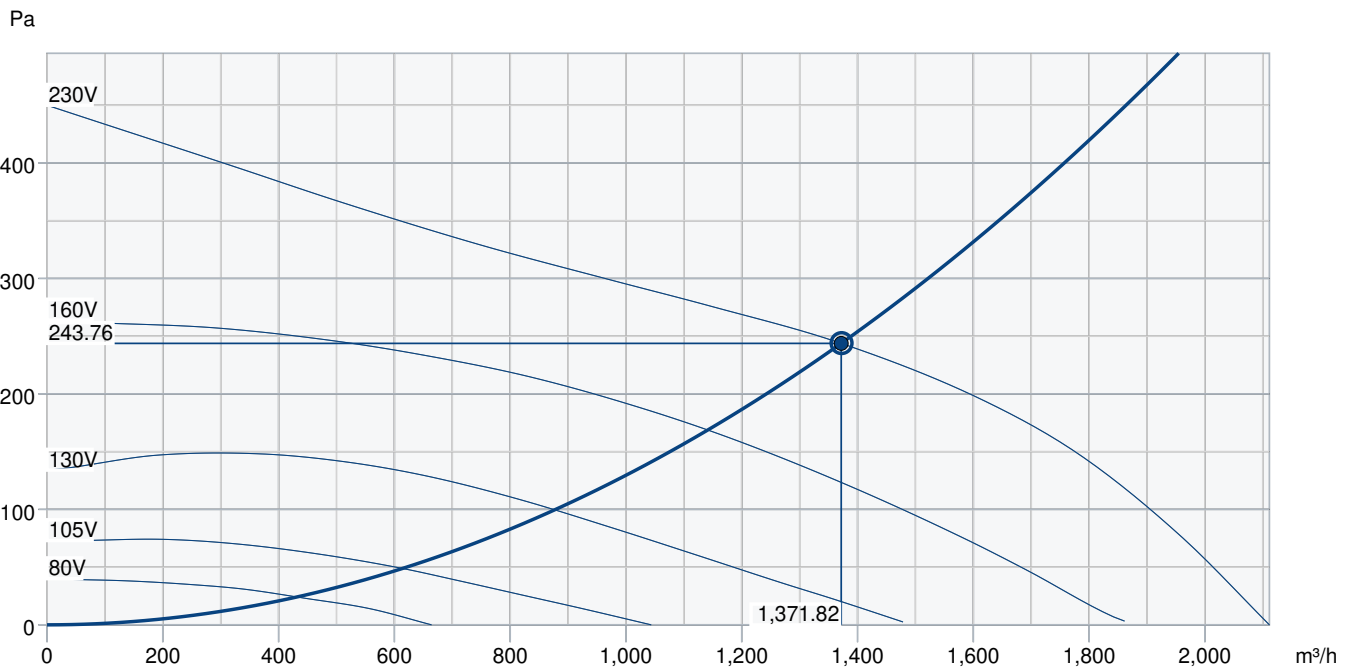


Wiring



	Function / assignment
L	Power supply 230V AC, 50...60Hz
N	Neutral conductor
PE	Protective conductor
Speed control:	Voltage controllable (See accessories in our online catalogue)
Motor protection:	By integrated thermal contacts

Performance curve



Hydraulic data										
Required air flow	1,372 m³/h									
Required static pressure	244 Pa									
Working air flow	1,372 m³/h									
Working static pressure	244 Pa									
Air density	1.204 kg/m³									
Power	203.1 W									
Fan control - RPM	2,685 rpm									
Current	0.80 A									
SFP	0.533 kW/m³/s									
Control voltage	230.0 V									
Supply voltage	230 V									
Sound power level		63	125	250	500	1k	2k	4k	8k	Total
Inlet	dB(A)	22	41	53	58	69	58	53	47	70
Outlet	dB(A)	24	43	54	60	70	59	54	48	71
Surrounding	dB(A)	13	20	36	48	59	49	38	28	60
Sound pressure level at 3m (20m² Sabine)	dB(A)	-	-	-	-	-	-	-	-	53
Sound pressure level at 3m free field	dB(A)	-	-	-	-	-	-	-	-	39
Accessories										

Accessories

Frequency converter FRQ5SE-6A (37421)	RE 1,5 Speed control (5000)
REE 1 Speed control (5314)	REPT 6 Digital regulator (5698)
RETP 6 Temp/Pressure regulator (32293)	REU 1.5 Speed control (5004)
REV-3POL/03-7.5kW R/Y (33978)	SG 315 Protection guard (5611)
VKK-315 Back draft damper (1628)	CB 315-6,0 400V/2 Duct heater (5374)
CO2RT-R-D Transmitter (6993)	DTV500A (96807)
Frequency converter FRQSE-6A (37419)	HR1 Room Humidistat (215150)
Presence detector/IR24-P (6995)	RT 0-30 Room Thermostat (5151)
T 120 Timer (5165)	CB 315-3,0 230V/1 Duct heater (5386)
CB 315-9,0 400V/3 Duct heater (5375)	CBM 315-6,0 400V/2 Duct heater (9091)
CWK 315-3-2,5 Duct cooler,circ (30025)	FFR 315 Filter cassette (1779)
FGR 315 Filter cassette (1818)	FK 315 Fast clamp (1613)
LDC 315-900 Silencer (5197)	RSK-315 Back draft damper (5604)
VBC 315-2 Water heating batt (5461)	VBC 315-3 Water heating batt (9844)
VBF 315 Water heating battery (1734)	VK-30 Louvre shutter (87688)
IGC-315 Intake grille (76879)	Room hygrostat HR-S (286251)

Documents

imo_prioair_en_003
 EU DECLARATION OF CONFORMITY_PRIO_PRIO-XP_EN_007.PDF