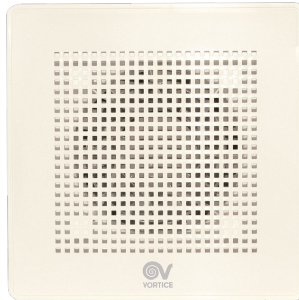


# Technical Data Sheet

CODE 11261

## ME 100/4" LL TP

Wall axial fans



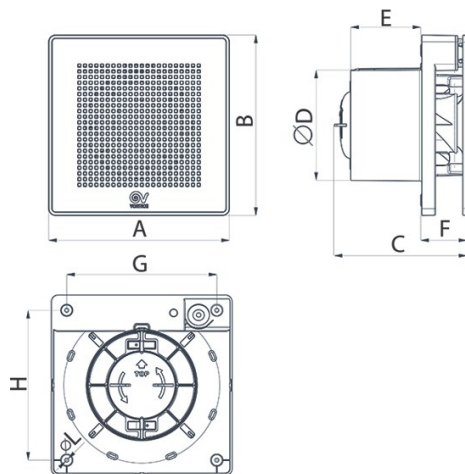
### Certifications



### TECHNICAL AND PERFORMANCE DATA

Frequency (Hz)	50	Airflow at 1st speed (m <sup>3</sup> /h)	65
Insulation class	II <sup>o</sup>	Max airflow at Max speed (l/s)	26,4
IP	45	Max airflow at Max speed (m <sup>3</sup> /h)	95
Max absorbed current at Max speed (A)	0,052	Max pressure at Max speed (mmH2O)	4,7
Max absorbed current at Min speed (A)	0,039	Max pressure at Max speed (Pa)	46,09
Max absorbed power at Max speed (W)	9	Max RPM	2240
Max ambient temperature for continuous operation (°C)	50	Min RPM	1700
Nominal diameter (mm)	100	Pressure at 1st speed (mmH2O)	2,5
Power absorbed at 1st speed (W)	5	Pressure at 1st speed (Pa)	24,52
Voltage (V)	220-240	Sound power at Min speed LWA [dB(A)]	41,3
Weight (Kg)	0,6	Sound power at Min speed LWA [dB(A)]	47,4
Airflow at 1st speed (l/s)	18,1	Sound pressure at 3m at Max speed calculated in free field Lp [dB(A)]	26,9
		Sound pressure at 3m at Min speed calculated in free field Lp [dB(A)]	20,8

### DIMENSIONS



Size A (mm)	159
Size B (mm)	159
Size C (mm)	116,5
Size D (mm)	∅ 98
Size E (mm)	61,5
Size F (mm)	40,5
Size G (mm)	132
Size H (mm)	132
Size L (mm)	∅ 3,5

### PER INFORMAZIONI / FOR INFORMATION

#### ITALY

Pre Sales:  
prevendita@vortice-italy.com

After Sales:  
postvendita@vortice-italy.com

#### UNITED KINGDOM & REP. OF

#### IRELAND

Sales Dept:  
sales@vortice.ltd.uk

Technical Dept:  
technical@vortice.ltd.uk

#### OTHER COUNTRIES

Sales Dept:  
export@vortice-italy.com

After Sales:  
after-sales@vortice-italy.com



# Technical Data Sheet

CODE 11261

## ME 100/4" LL TP

Wall axial fans



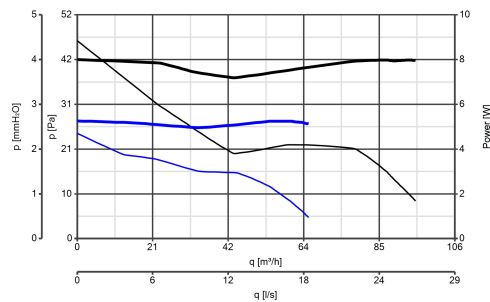
### DESCRIPTION

- Material: UV resistant white plastic (prevents ageing caused by exposure to sunlight).
- Nominal diameter 100 mm.
- Motor protected against thermal overload, with shaft turning in ball bearings; 2 operating speeds controlled electronically from pcb.
- Air flow between 65 m<sup>3</sup>/h and 95 m<sup>3</sup>/h.
- Version with advanced timer: the appliance is equipped with a pcb allowing delayed switch-on and/or switch-off at the minimum or

maximum speed. The length of the delay preceding switch-on and switch-off can be set during installation, as also can the operating speed of the fan. In addition, the appliance can run automatic switch-on cycles.

- Equipped with non-return damper preventing unwanted backdraught when the fan is off.

### CURVES



### PER INFORMAZIONI / FOR INFORMATION

#### ITALY

Pre Sales:  
[prevendita@vortice-italy.com](mailto:prevendita@vortice-italy.com)  
After Sales:  
[postvendita@vortice-italy.com](mailto:postvendita@vortice-italy.com)

#### UNITED KINGDOM & REP. OF

IRELAND  
Sales Dept:  
[sales@vortice.ltd.uk](mailto:sales@vortice.ltd.uk)  
Technical Dept:  
[technical@vortice.ltd.uk](mailto:technical@vortice.ltd.uk)

#### OTHER COUNTRIES

Sales Dept:  
[export@vortice-italy.com](mailto:export@vortice-italy.com)  
After Sales:  
[after-sales@vortice-italy.com](mailto:after-sales@vortice-italy.com)