

Technical Data Sheet

CODE 11271

ME 120/5" LL TP

Wall axial fans



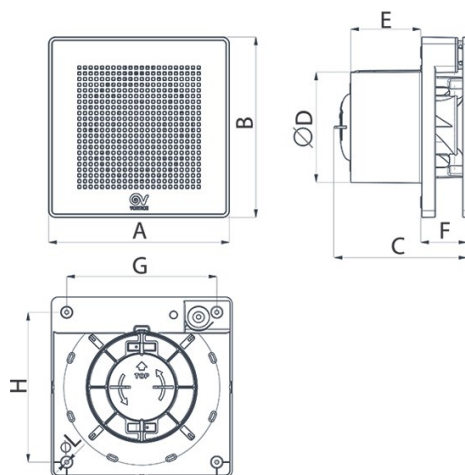
Certifications



TECHNICAL AND PERFORMANCE DATA

Frequency (Hz)	50	Airflow at 1st speed (m ³ /h)	120
Insulation class	II°	Max airflow at Max speed (l/s)	48,6
IP	45	Max airflow at Max speed (m ³ /h)	175
Max absorbed current at Max speed (A)	0,080	Max pressure at Max speed (mmH20)	5
Max absorbed current at Min speed (A)	0,060	Max pressure at Max speed (Pa)	49,04
Max absorbed power at Max speed (W)	13	Max RPM	2070
Max ambient temperature for continuous operation (°C)	50	Min RPM	1490
Nominal diameter (mm)	120	Pressure at 1st speed (mmH20)	2,3
Power absorbed at 1st speed (W)	10	Pressure at 1st speed (Pa)	22,56
Voltage (V)	220-240	Sound power at Min speed LWA [dB(A)]	44,5
Weight (Kg)	0,77	Sound power at Min speed LWA [dB(A)]	52,8
Airflow at 1st speed (l/s)	33,3	Sound pressure at 3m at Max speed calculated in free field Lp [dB(A)]	32,3
		Sound pressure at 3m at Min speed calculated in free field Lp [dB(A)]	24,0

DIMENSIONS



Size A (mm)	179
Size B (mm)	179
Size C (mm)	127
Size D (mm)	∅ 118
Size E (mm)	71
Size F (mm)	42,5
Size G (mm)	152
Size H (mm)	152
Size L (mm)	∅ 3,5

PER INFORMAZIONI / FOR INFORMATION

ITALY

Pre Sales:
prevendita@vortice-italy.com
 After Sales:
postvendita@vortice-italy.com

UNITED KINGDOM & REP. OF

IRELAND
 Sales Dept:
sales@vortice.ltd.uk
 Technical Dept:
technical@vortice.ltd.uk

OTHER COUNTRIES

Sales Dept:
export@vortice-italy.com
 After Sales:
after-sales@vortice-italy.com

Technical Data Sheet

CODE 11271

ME 120/5" LL TP

Wall axial fans



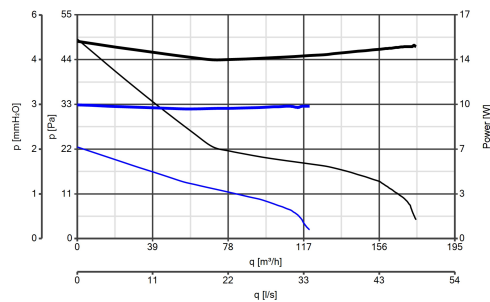
DESCRIPTION

- Material: UV resistant white plastic (prevents ageing caused by exposure to sunlight).
- Nominal diameter 120 mm.
- Motor protected against thermal overload, with shaft turning in ball bearings; 2 operating speeds controlled electronically from pcb.
- Air flow between 120 m³/h and 175 m³/h.
- Version with advanced timer: the appliance is equipped with a pcb

allowing delayed switch-on and/or switch-off at the minimum or maximum speed. The length of the time-lagging for switching on and off, as well as the operating speed, can be set during installation. In addition, the appliance can run automatic switch-on cycles.

- Equipped with non-return damper preventing unwanted backdraught when the fan is off.

CURVES



PER INFORMAZIONI / FOR INFORMATION

ITALY

Pre Sales:
prevendita@vortice-italy.com
After Sales:
postvendita@vortice-italy.com

UNITED KINGDOM & REP. OF

IRELAND
Sales Dept:
sales@vortice.ltd.uk
Technical Dept:
technical@vortice.ltd.uk

OTHER COUNTRIES

Sales Dept:
export@vortice-italy.com
After Sales:
after-sales@vortice-italy.com