

Technical Data Sheet

CODE 11139

MF 100/4" T HCS LL

Wall axial fans



Certifications

CE CE

EAC EAC

G-Mark G-Mark

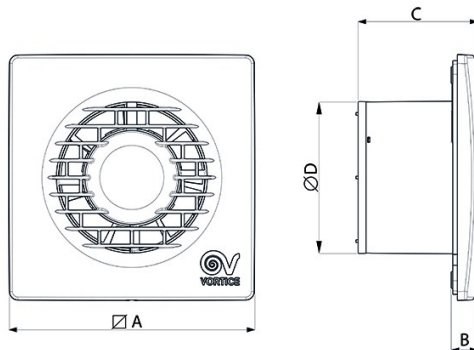
UKCA UKCA

CB TEST CERTIFICATE

TECHNICAL AND PERFORMANCE DATA

Frequency (Hz)	50	Voltage (V)	220-240
Insulation class	II°	Weight (Kg)	0,52
IP	X4	Max airflow (l/s)	24
Max absorbed current (A)	0,09	Max airflow (m³/h)	85
Max absorbed power (W)	15	Max pressure (mmH2O)	3
Max ambient temperature for continuous operation (°C)	50	Max pressure (Pa)	29
Nominal diameter (mm)	100	RPM	2400
		Sound pressure Lp [dB (A)] at 3 m	31

DIMENSIONS



Size A (mm)	159
Size B (mm)	17
Size C (mm)	77
Size D (mm)	98

PER INFORMAZIONI / FOR INFORMATION

ITALY

Pre Sales:
prevendita@vortice-italy.com
After Sales:
postvendita@vortice-italy.com

UNITED KINGDOM & REP. OF

IRELAND
Sales Dept:
sales@vortice.ltd.uk
Technical Dept:
technical@vortice.ltd.uk

OTHER COUNTRIES

Sales Dept:
export@vortice-italy.com
After Sales:
after-sales@vortice-italy.com

Technical Data Sheet

CODE 11139

MF 100/4" T HCS LL

Wall axial fans



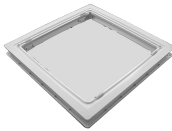
DESCRIPTION

- Material: UV resistant plastic (prevents ageing caused by exposure to sunlight).
- Nominal diameter 100 mm.
- Motor protected against thermal overload, with shaft turning in ball bearings, coupled to screw type thermoplastic impeller with wing profile blades.
- Maximum air flow: 85 m3/h.
- Electronic pcb with humidistat function piloted by RH sensor (4 preset thresholds: 60%, 70%, 80%, 90%, selectable during installation), designed to switch on the fan automatically. The pcb incorporates an electronic timer that shuts off the motor automatically when relative humidity returns below the threshold value. The timer setting is selectable during installation in the range 3'-20' (default setting 3').
- Non-return damper fitted to outlet port.
- Vortice speed controller.

CURVES

□

ACCESSORIES



SF 90-100

Code 22162

PER INFORMAZIONI / FOR INFORMATION

ITALY

Pre Sales:
prevendita@vortice-italy.com
After Sales:
postvendita@vortice-italy.com

OTHER COUNTRIES

Sales Dept:
export@vortice-italy.com
After Sales:
after-sales@vortice-italy.com

UNITED KINGDOM & REP. OF

IRELAND

Sales Dept:
sales@vortice.ltd.uk
Technical Dept:
technical@vortice.ltd.uk