

# Technical Data Sheet

CODE 11132

## MF 120/5" LL

Wall axial fans



### Certifications

CE CE

EAC EAC

G-Mark G-Mark

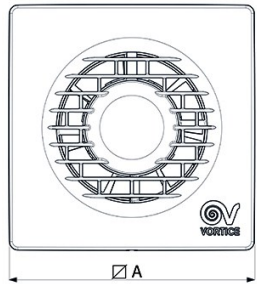
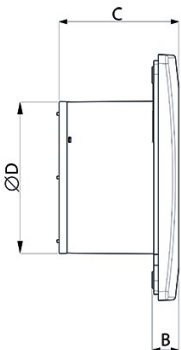
UKCA UKCA

CB TEST CERTIFICATE

### TECHNICAL AND PERFORMANCE DATA

Frequency (Hz)	50	Voltage (V)	220-240
Insulation class	II°	Weight (Kg)	0,62
IP	X4	Max airflow (l/s)	49
Max absorbed current (A)	0,12	Max airflow (m³/h)	175
Max absorbed power (W)	20	Max pressure (mmH2O)	5
Max ambient temperature for continuous operation (°C)	50	Max pressure (Pa)	49
Nominal diameter (mm)	120	RPM	2150
		Sound pressure Lp [dB (A)] at 3 m	34,4

### DIMENSIONS

		Size A (mm)	179
		Size B (mm)	17
		Size C (mm)	89
		Size D (mm)	119

### PER INFORMAZIONI / FOR INFORMATION

#### ITALY

Pre Sales:  
prevendita@vortice-italy.com  
After Sales:  
postvendita@vortice-italy.com

#### UNITED KINGDOM & REP. OF

IRELAND  
Sales Dept:  
sales@vortice.ltd.uk  
Technical Dept:  
technical@vortice.ltd.uk

#### OTHER COUNTRIES

Sales Dept:  
export@vortice-italy.com  
After Sales:  
after-sales@vortice-italy.com

# Technical Data Sheet

CODE 11132

## MF 120/5" LL

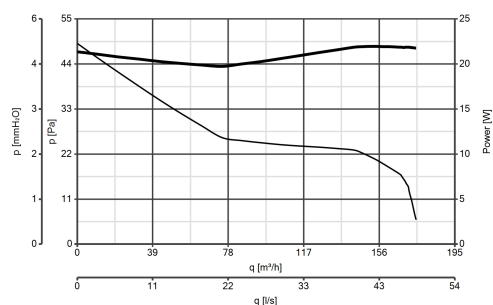
Wall axial fans



### DESCRIPTION

- Material: UV resistant plastic (prevents ageing caused by exposure to sunlight).
- Nominal diameter 120 mm.
- Motor protected against thermal overload, with shaft turning in ball bearings, coupled to screw type thermoplastic impeller with wing profile blades.
- Maximum air flow: 175 m<sup>3</sup>/h.
- Non-return damper fitted to outlet port.
- Vortice speed controller.

### CURVES



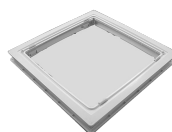
### ACCESSORIES



**C 1.5**  
**(COMANDO EL. 1.5 A)**  
Code 12966



**KIT SCB**  
**(TRASF.E.C.)**  
Code 22481



**SF 120**  
Code 22163

ITALY  
Pre Sales: [prevendita@vortice-italy.com](mailto:prevendita@vortice-italy.com)  
After Sales: [postvendita@vortice-italy.com](mailto:postvendita@vortice-italy.com)

PER INFORMAZIONI /  
FOR INFORMATION

UNITED KINGDOM & REP. OF IRELAND  
Sales Dept: [sales@vortice.ltd.uk](mailto:sales@vortice.ltd.uk)  
Technical Dept: [technical@vortice.ltd.uk](mailto:technical@vortice.ltd.uk)

OTHER COUNTRIES  
Sales Dept: [export@vortice-italy.com](mailto:export@vortice-italy.com)  
After Sales: [after-sales@vortice-italy.com](mailto:after-sales@vortice-italy.com)