

MANDÍK[®]

MULTI BLADE TIGHT REGULATION DAMPER

RDTM



These Technical Specifications define the range of the manufactured sizes and design of "Multi blade tight regulation damper RDTM (hereinafter referred also shortly as the "dampers")
 These technical Specifications apply to the manufacture, design, ordering, assembly, operation and maintenance.

I. CONTENT

II. GENERAL INFORMATION	3
1. Description.....	3
2. Design.....	4
3. Basic range, dimensions, weights.....	5
III. TECHNICAL DATA	7
4. Basic parameters.....	7
5. Flow characteristic, pressure drop, tightness.....	8
6. Noise data.....	10
7. Electrical elements, wiring diagram.....	12
IV. MATERIAL, FINISHING	18
8. Material.....	18
V. INSPECTION, TESTING	18
9. Inspection.....	18
10. Testing.....	18
VI. PACKING, TRANSPORT AND STORAGE	18
11. Logistic terms.....	18
VII. ORDERING INFORMATION	19
12. List of the most frequently ordered designs.....	19
13. Ordering key.....	19

II. GENERAL INFORMATION

1. Description

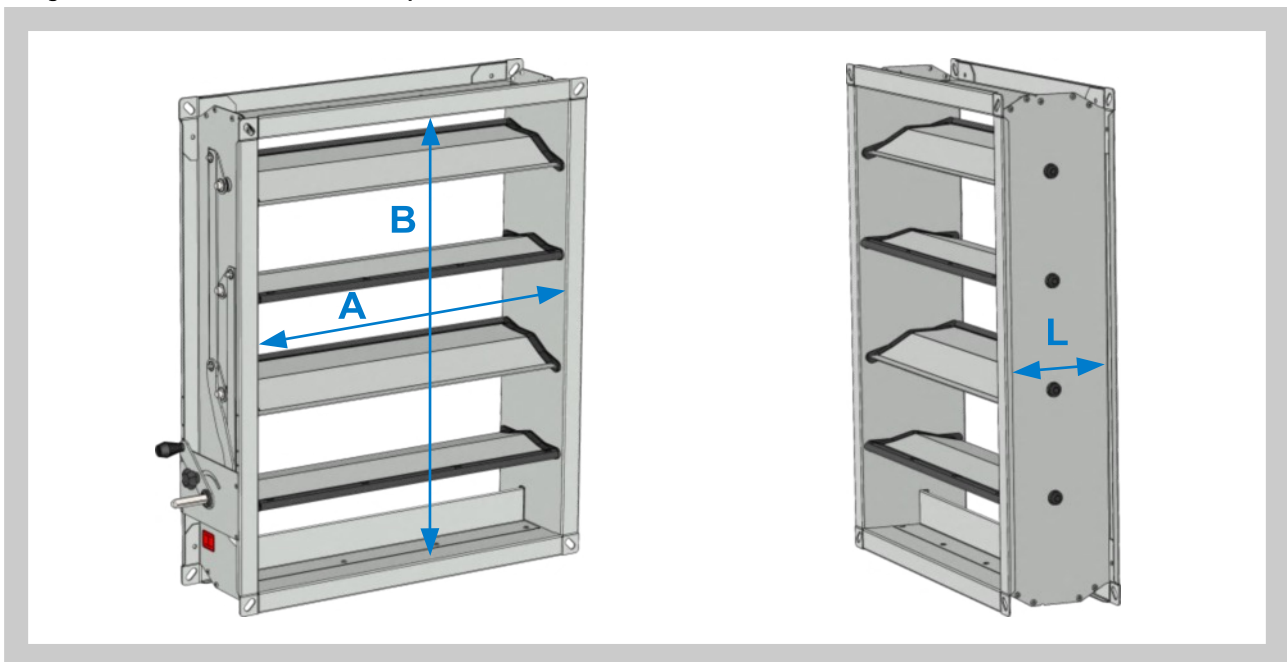
- 1.1. Multi blade tight regulation dampers RDTM (hereinafter referred also shortly as the "dampers") are intended to be used in buildings – in heating, ventilation and air-conditioning (HVAC) systems. Controlled changes of the damper effective cross-section allow to adjust the air flow rate. The damper also allows to cut the air flow completely whenever requested, forming an air-tight barrier.

The dampers consist of a rectangular steel body (frame), set of steel counter-running blades equipped with EPDM gaskets and closed from the both sides by sealing end-cups from a composite material based on polyamide with suppressed flammability V-0 in accordance with UL 94 (halogen-free), blade shaft from steel with composite plain bearings (or stainless-steel plain bearings, on demand), steel rod mechanism, and from a manual control, or from actuator control (with actuator), or the damper is just ready for actuator mounting (without actuator), respectively.

The dampers are characterized by:

- effort-less, smooth, silent running
- rigid blades with good aerodynamics
- two blade sizes to guarantee optimum filling of the cross-section
- silicone-free design
- wide application range

Fig. 1 Basic dimensions of the damper

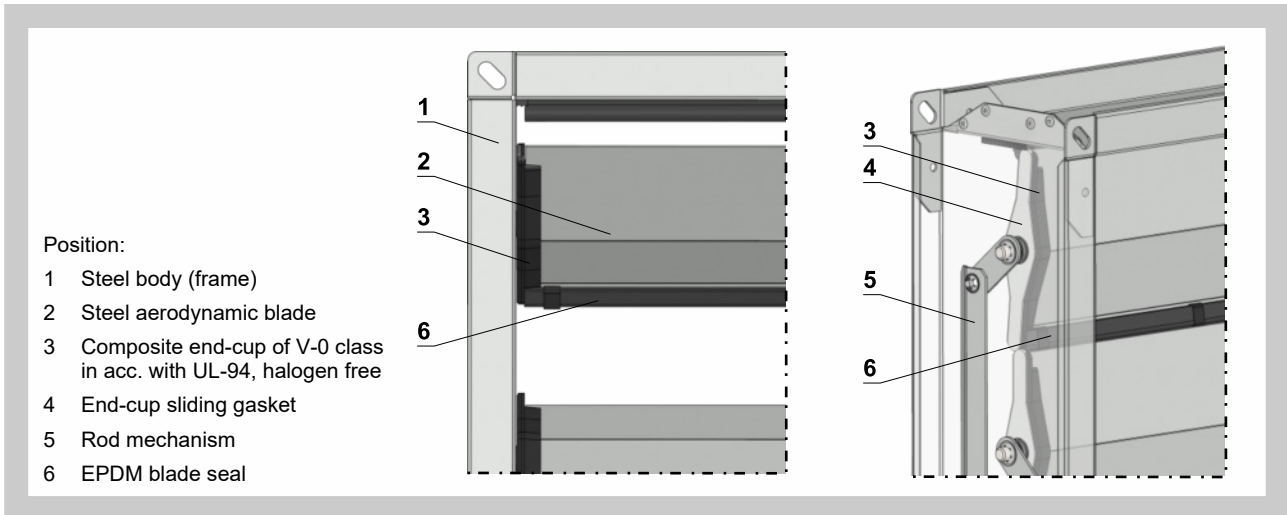


1.2. Damper characteristics

- | | |
|---|--|
| • Nominal dimensions A x B: | 200 x 200 * ... 2000 x 2000 mm by 5 mm |
| • Flange: | 30 mm |
| • Body length L: | 160 mm |
| • Tightness in acc. with EN 1751: | Casing leakage class C
Closed blade leakage class 3 |
| • Volume air flow rates: | up to 172 800 m ³ /h |
| • Mean air velocity in the duct: | max. 12 m/s |
| • Maximum allowed pressure in the duct: | ± 1 500 Pa |
| • Maximum pressure difference: | 1 000 ... 1 500 Pa |
| • Reaction to fire - body (frame), blades, mechanics: | class A1 |

* it is possible to order dampers from size 100 x 100 mm (0.01 m²) with External Casing leakage class 2B acc. to EN 1751

Fig. 2 Damper design elements



1.3. Operation conditions

To guarantee reliable functioning of the damper, the following conditions shall be respected:

- a) horizontal or vertical blade direction^{1]} and
- b) mean air velocity in the duct max. 12 m/s, and
- c) operation overpressure or vacuum in the duct max. 1500 Pa, and
- d) control pressure drop, difference of the static pressure in the sections before and after the damper in acc with chapter 4.1.
- e) mild climate 3K5 in accordance with EN 60721-3-3+A2, without condensation, frost, ice formation, without water from other sources than the rain, and
- f) environment without abrasive, adhesive, electro-charged, chemically active and radioactive solid or liquid particles, without radioactive gases^{2]} and
- g) operation temperature of -20°C ... +70°C, while
- h) in case of the damper equipped with an actuator or other electric devices is the the allowed temperature range limited in accordance with with the temperature range of such devices, typically to 0°C ... +50°C, and
- i) the flange of the duct where the damper is assembled shall be in plane; otherwise, negative impact on the tightness or even risk of damage of the damper during closing. The damper shall be fixed to the duct flange at least from one side. This applies also when adjusting the actuator.
- j) for actuator(s) mounted outside the Factory, the end blocks (stoppers) of the actuator(s) are setup correctly to prevent a mechanical damage of the damper.

1] Damper with horizontal blade axis needs less torque and will show slower wear.

2] With respect to the selected material option and/or surface protection treatment; individual demands may be discussed case by case.

2. Design

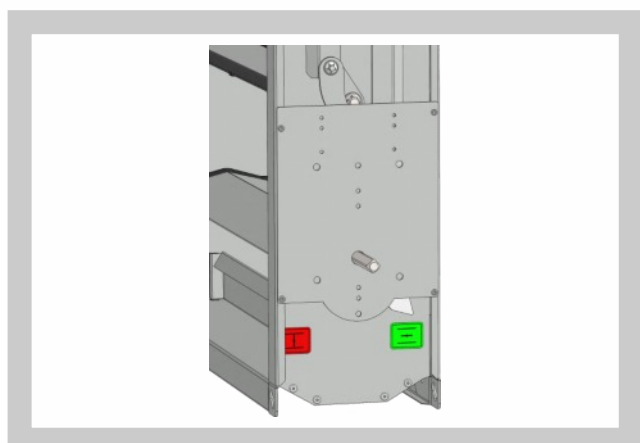
2.1. The damper can be supplied

- with manual control including handle and locking nut
- ready to mount an actuator
- with actuator

Fig. 3 Damper with manual control including handle and locking nut



Fig. 4 Damper ready to mount an actuator



3. Basic range, dimensions, weights

3.1. Basic range, effective cross-section

Dampers up to B=445 consist of smaller blades with the spacing of 95 mm, dampers from B=450 mm consist of larger blades with the spacing of 145 mm.

Tab. 3.1.1. Basic range, effective cross section in m²

		A [mm]															
		200	250	300	315	400	500	600	630	800	1000	1200	1250	1400	1600	1800	2000
B [mm]	200	0,028	0,036	0,043	0,045	0,057	0,071	0,085	0,089	0,114	0,142	0,170	0,178	–	–	–	–
	250	0,028	0,036	0,043	0,045	0,057	0,071	0,085	0,089	0,114	0,142	0,170	0,178	–	–	–	–
	300	0,044	0,055	0,065	0,069	0,087	0,109	0,131	0,137	0,174	0,218	0,262	0,273	–	–	–	–
	315	0,044	0,055	0,065	0,069	0,087	0,109	0,131	0,137	0,174	0,218	0,262	0,273	–	–	–	–
	400	0,059	0,074	0,088	0,093	0,118	0,147	0,176	0,185	0,235	0,294	0,353	0,368	–	–	–	–
	500	0,068	0,085	0,102	0,107	0,136	0,171	0,205	0,215	0,273	0,341	0,409	0,426	0,477	0,546	0,614	0,682
	600	0,092	0,115	0,137	0,144	0,183	0,229	0,275	0,289	0,366	0,458	0,550	0,573	0,641	0,733	0,824	0,916
	630	0,092	0,115	0,137	0,144	0,183	0,229	0,275	0,289	0,366	0,458	0,550	0,573	0,641	0,733	0,824	0,916
	800	0,115	0,144	0,173	0,181	0,230	0,288	0,345	0,362	0,460	0,575	0,690	0,719	0,805	0,920	1,035	1,150
	1000	0,138	0,173	0,208	0,218	0,277	0,346	0,415	0,436	0,554	0,692	0,830	0,865	0,969	1,107	1,246	1,384
	1200	–	–	–	–	0,370	0,463	0,556	0,583	0,741	0,926	1,111	1,158	1,296	1,482	1,667	1,852
	1250	–	–	–	–	0,370	0,463	0,556	0,583	0,741	0,926	1,111	1,158	1,296	1,482	1,667	1,852
	1400	–	–	–	–	0,417	0,522	0,626	0,657	0,834	1,043	1,252	1,304	1,460	1,669	1,877	2,086
	1600	–	–	–	–	0,464	0,580	0,696	0,731	0,928	1,160	1,392	1,450	1,624	1,856	2,088	2,320
1800	–	–	–	–	0,558	0,697	0,836	0,878	1,115	1,394	1,673	1,743	1,952	2,230	2,509	2,788	
2000	–	–	–	–	0,604	0,756	0,907	0,952	1,209	1,511	1,813	1,889	2,115	2,418	2,720	3,022	

3.2. Weights

Weights of dampers without actuator are shown in table 3.2.1. If the damper is equipped with an actuator, actuator weight should be added, see chapter 7.

Tab. 3.2.1. Damper weight without actuator

		A [mm]															
		200	250	300	315	400	500	600	630	800	1000	1200	1250	1400	1600	1800	2000
B [mm]	200	3,4	3,7	4	4,1	4,6	5,2	5,9	6,1	7,1	8,4	9,6	9,9	–	–	–	–
	250	3,6	3,9	4,3	4,4	4,9	5,6	6,3	6,5	7,7	9,1	10,5	10,8	–	–	–	–
	300	4,2	4,6	5	5,1	5,7	6,5	7,3	7,5	8,8	10,3	11,9	12,2	–	–	–	–
	315	4,3	4,7	5,1	5,2	5,8	6,6	7,4	7,6	8,9	10,5	12	12,4	–	–	–	–
	400	4,9	5,4	5,8	5,9	6,7	7,6	8,4	8,7	10,2	11,9	13,6	14,1	–	–	–	–
	500	5,2	5,7	6,1	6,3	7,1	8	8,9	9,2	10,8	12,7	14,5	15	21,8	24,3	26,9	29,4
	600	6,1	6,6	7,1	7,3	8,1	9,2	10,2	10,5	12,3	14,4	16,5	17	24,8	27,7	30,5	33,4
	630	6,2	6,7	7,3	7,4	8,3	9,4	10,4	10,7	12,5	14,6	16,7	17,2	25,1	28	30,9	33,8
	800	7,3	7,9	8,5	8,7	9,7	11	12,2	12,6	14,7	17,2	19,6	20,3	29,6	33	36,4	39,8
	1000	8,5	9,2	9,9	10,1	11,3	12,7	14,1	14,6	17	19,8	22,6	23,3	34,2	38,1	42	45,8
	1200	–	–	–	–	16,2	18	19,9	20,5	23,7	27,4	31,2	32,1	41,6	46,3	51	55,7
	1250	–	–	–	–	16,4	18,3	20,2	20,8	24	27,8	31,6	32,6	42,1	46,9	51,7	56,4
	1400	–	–	–	–	18,1	20,2	22,3	22,9	26,4	30,6	34,8	35,8	46,4	51,7	56,9	62,2
	1600	–	–	–	–	20	22,2	24,5	25,1	29	33,5	38	39,1	50,9	56,6	62,3	68
1800	–	–	–	–	22,2	24,7	27,2	27,9	32,1	37,1	42,1	43,3	57	63,4	69,9	76,3	
2000	–	–	–	–	24,2	26,9	29,6	30,5	35	40,4	45,8	47,2	62,1	69	76	82,9	

3.3. Dimensions

For damper control, 250 mm of space is needed, in the direction of the main shaft axis. Position of the main shaft axis is shown in Table 3.2.1. The handle of dampers with manual control does not exceed the outline of the damper body (frame).

Fig. 5 Damper dimensions

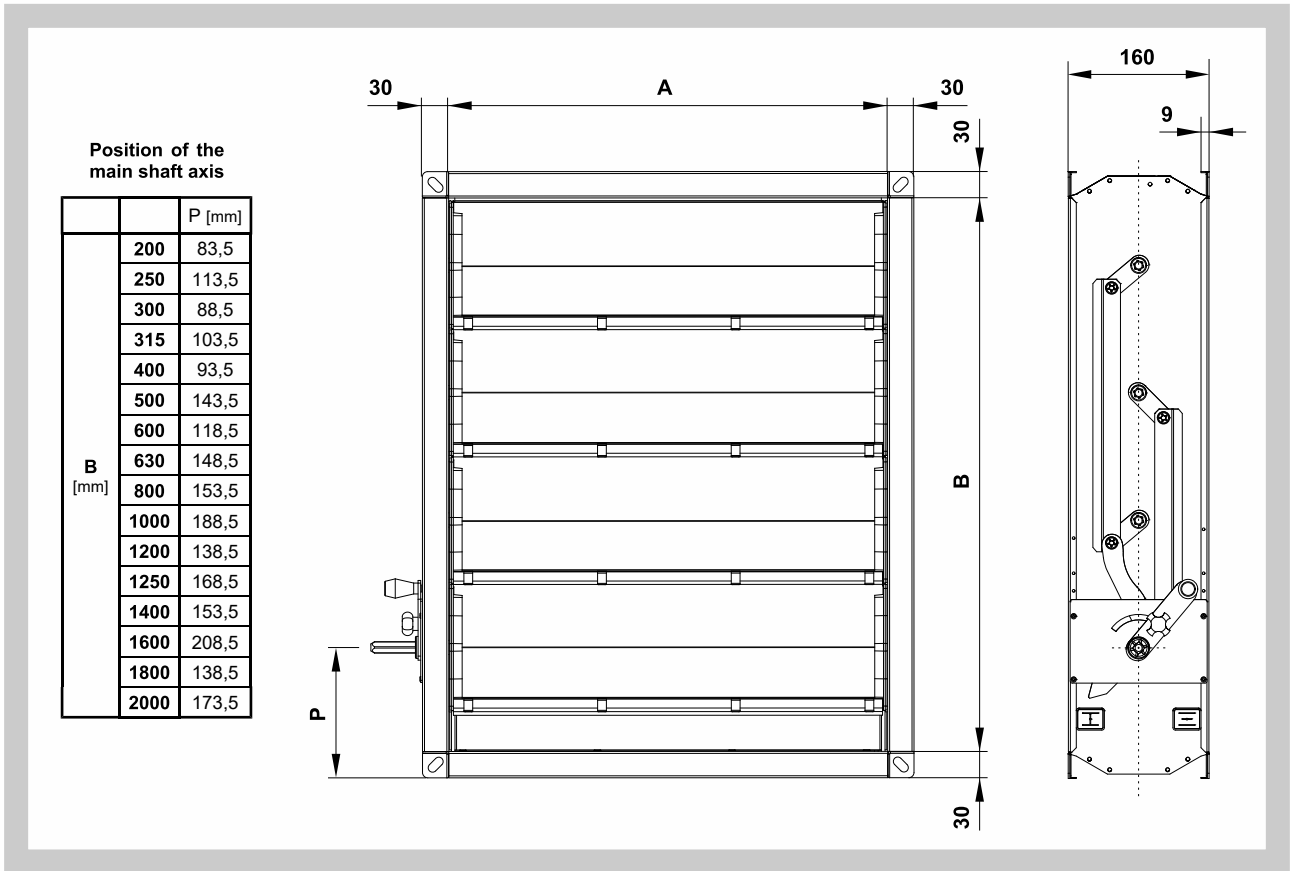
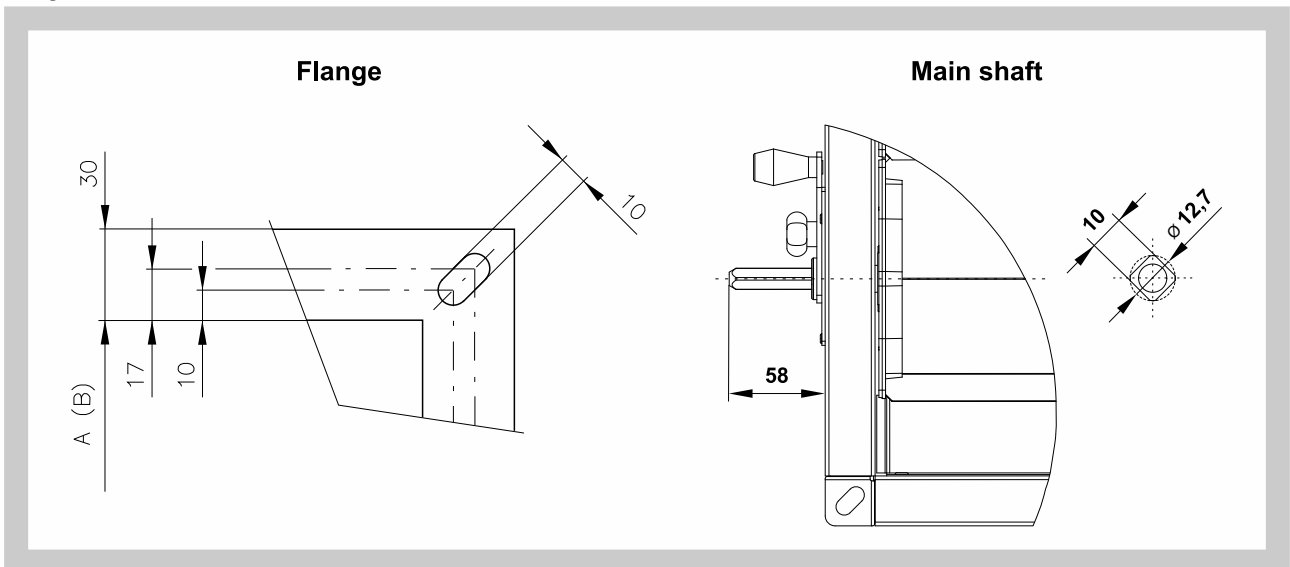


Fig. 6 Connection dimensions



3.4. Installation in the duct

The dampers are intended to be incorporated into HVAC duct. If the damper is installed in such way that blade axis are not horizontal, 50% stronger actuators are needed to control the damper compared to the same damper with horizontal blades.

III. TECHNICAL DATA

4. Basic parameters

4.1. Maximum allowed duct pressure, maximum pressure

Maximum allowed duct pressure is ± 1500 Pa. Maximum allowed control pressure drop or difference of the static pressure in the sections before and after the damper is shown in Table 4.1.1.

Tab. 4.1.1. Maximum allowed pressure difference (Pa)

		A [mm]																
		200	250	300	315	400	500	600	630	800	1000	1200	1250	1400	1600	1800	2000	
B [mm]	200	1500	1500	1500	1500	1500	1500	1500	1500	1500	1200	1200	1200	–	–	–	–	
	250	1500	1500	1500	1500	1500	1500	1500	1500	1500	1500	1200	1200	1200	–	–	–	–
	300	1500	1500	1500	1500	1500	1500	1500	1500	1500	1500	1200	1200	1200	–	–	–	–
	315	1500	1500	1500	1500	1500	1500	1500	1500	1500	1500	1200	1200	1200	–	–	–	–
	400	1500	1500	1500	1500	1500	1500	1500	1500	1500	1500	1200	1200	1200	–	–	–	–
	500	1500	1500	1500	1500	1500	1500	1500	1500	1500	1500	1500	1500	1500	1200	1200	1000	1000
	600	1500	1500	1500	1500	1500	1500	1500	1500	1500	1500	1500	1500	1500	1200	1200	1000	1000
	630	1500	1500	1500	1500	1500	1500	1500	1500	1500	1500	1500	1500	1500	1200	1200	1000	1000
	800	1500	1500	1500	1500	1500	1500	1500	1500	1500	1500	1500	1500	1500	1200	1200	1000	1000
	1000	1500	1500	1500	1500	1500	1500	1500	1500	1500	1500	1500	1500	1500	1200	1200	1000	1000
	1200	–	–	–	–	1500	1500	1500	1500	1500	1500	1500	1500	1500	1200	1200	1000	1000
	1250	–	–	–	–	1500	1500	1500	1500	1500	1500	1500	1500	1500	1200	1200	1000	1000
	1400	–	–	–	–	1500	1500	1500	1500	1500	1500	1500	1500	1500	1200	1200	1000	1000
	1600	–	–	–	–	1500	1500	1500	1500	1500	1500	1500	1500	1500	1200	1200	1000	1000
	1800	–	–	–	–	1500	1500	1500	1500	1500	1500	1500	1500	1500	1200	1200	1000	1000
	2000	–	–	–	–	1500	1500	1500	1500	1500	1500	1500	1500	1500	1200	1200	1000	1000

4.2. Closing torque

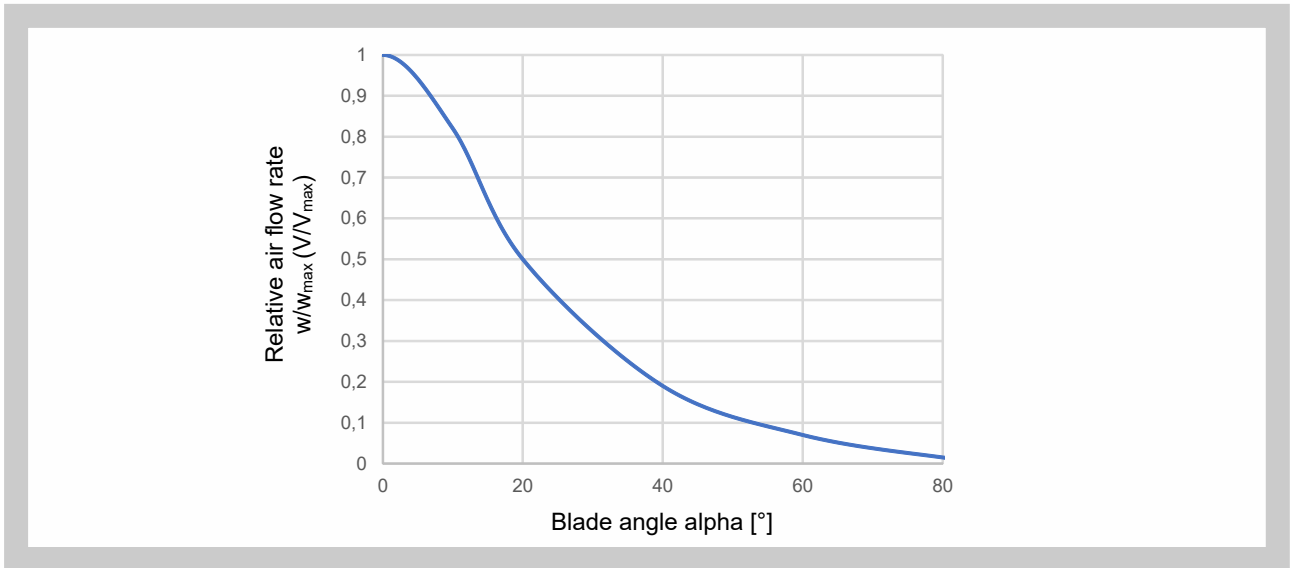
Aerodynamic forces acting on the blades and hence, on the closing mechanism depend, among other factors, on the fan characteristics, or on the external pressure drop characteristics of the HVAC system connected. Nevertheless, the torque from aerodynamic forces is typically inferior to the torque needed to close the damper tightly. At the moment the damper is almost closed, the aerodynamic forces are already negligible. For dampers used in another position than with damper blade axis horizontal, 50% actuator torque increase is highly recommended.

Tab. 4.2.1. Closing torque Nm

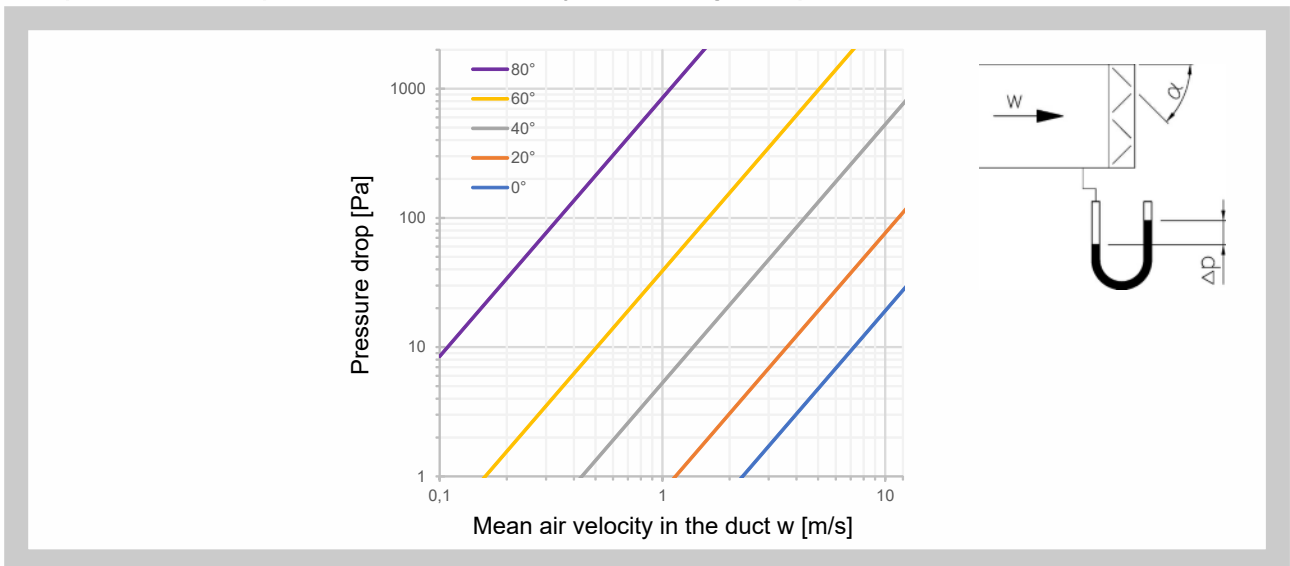
		A [mm]																
		200	250	300	315	400	500	600	630	800	1000	1200	1250	1400	1600	1800	2000	
B [mm]	200	4	4	4	4	10	10	10	10	10	10	10	10	–	–	–	–	
	250	4	4	4	4	10	10	10	10	10	10	10	10	–	–	–	–	
	300	10	10	10	10	10	10	10	10	10	10	10	10	–	–	–	–	
	315	10	10	10	10	10	10	10	10	10	10	10	10	–	–	–	–	
	400	10	10	10	10	10	10	10	10	10	10	10	10	–	–	–	–	
	500	10	10	10	10	10	10	10	10	10	10	15	15	15	15	15	15	15
	600	10	10	10	10	10	10	10	10	10	15	15	15	15	15	15	15	20
	630	10	10	10	10	10	10	10	10	10	15	15	15	15	15	15	15	20
	800	10	10	10	10	10	10	10	15	15	15	15	15	15	15	15	20	20
	1000	10	10	10	10	10	10	15	15	15	15	15	15	20	20	20	20	20
	1200	–	–	–	–	15	15	15	15	15	20	20	20	20	20	20	20	30
	1250	–	–	–	–	15	15	15	15	15	20	20	20	20	20	20	20	30
	1400	–	–	–	–	15	15	15	15	20	20	20	20	20	20	30	30	30
	1600	–	–	–	–	20	20	20	20	20	20	20	20	30	30	30	30	30
	1800	–	–	–	–	20	20	20	20	20	20	30	30	30	30	30	30	30
	2000	–	–	–	–	20	20	20	20	30	30	30	30	30	30	30	30	30

5. Flow characteristic, pressure drop, tightness

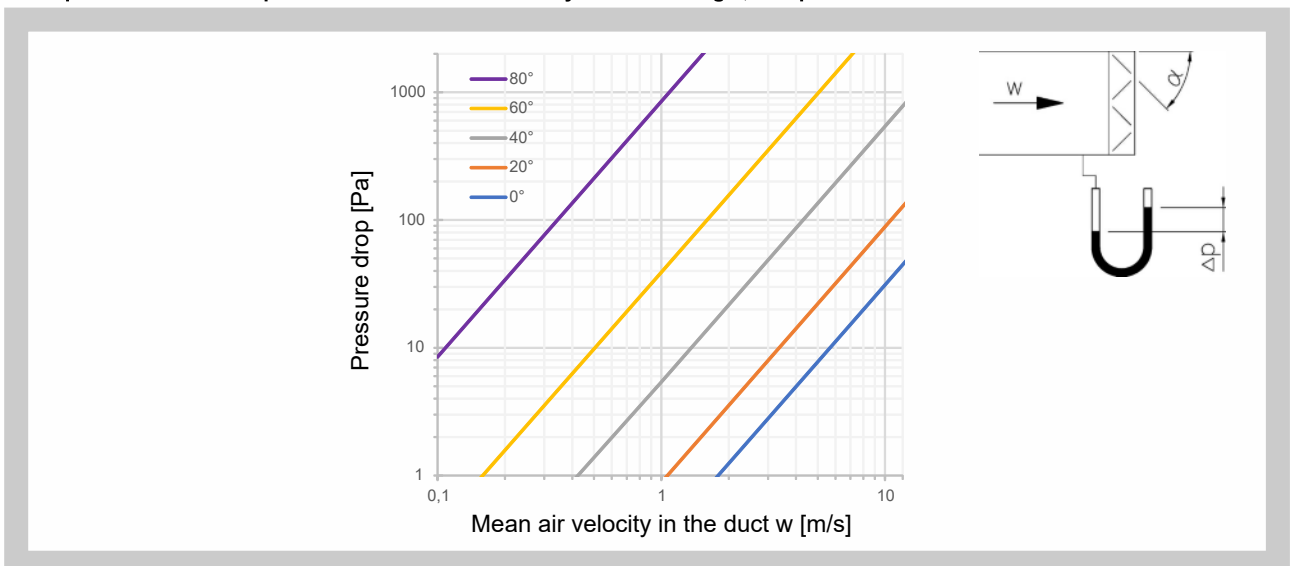
Graph 1 Flow characteristics at constant pressure drop of 40 Pa



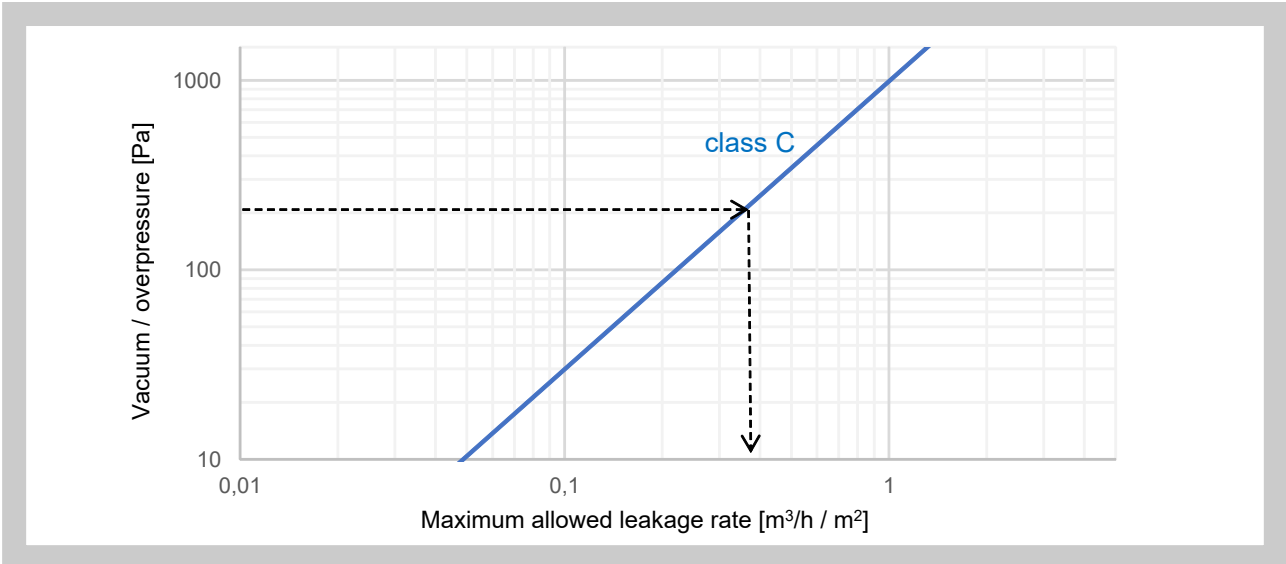
Graph 2 Pressure drop as function of the air velocity and blade angle, damper in the duct



Graph 3 Pressure drop as function of the air velocity and blade angle, damper at the end of the duct



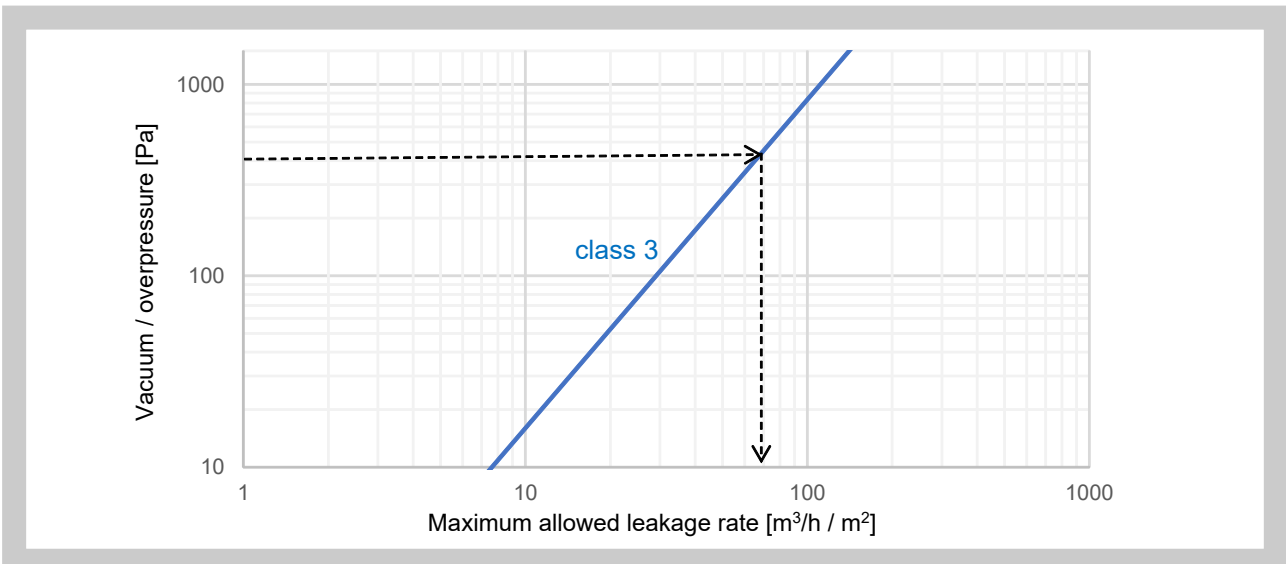
Graph 4 Body (frame) leakage class C acc. to EN 1751



Tab. 5.1.1. Virtual surface area of damper body (frame) in m² considered for maximum allowed body leakage rate in acc. with EN 1751

		A [mm]																
		200	250	300	315	400	500	600	630	800	1000	1200	1250	1400	1600	1800	2000	
B [mm]	200	0,8	0,9	1	1	1,2	1,4	1,6	1,7	2	2,4	2,8	2,9	-				
	250	0,9	1	1,1	1,1	1,3	1,5	1,7	1,8	2,1	2,5	2,9	3					
	300	1	1,1	1,2	1,2	1,4	1,6	1,8	1,9	2,2	2,6	3	3,1					
	315	1	1,1	1,2	1,3	1,4	1,6	1,8	1,9	2,2	2,6	3	3,1					
	400	1,2	1,3	1,4	1,4	1,6	1,8	2	2,1	2,4	2,8	3,2	3,3	-				
	500	1,4	1,5	1,6	1,6	1,8	2	2,2	2,3	2,6	3	3,4	3,5					
	600	1,6	1,7	1,8	1,8	2	2,2	2,4	2,5	2,8	3,2	3,6	3,7	4	4,4	4,8	5,2	
	630	1,7	1,8	1,9	1,9	2,1	2,3	2,5	2,5	2,9	3,3	3,7	3,8	4,1	4,5	4,9	5,3	
	800	2	2,1	2,2	2,2	2,4	2,6	2,8	2,9	3,2	3,6	4	4,1	4,4	4,8	5,2	5,6	
	1000	2,4	2,5	2,6	2,6	2,8	3	3,2	3,3	3,6	4	4,4	4,5	4,8	5,2	5,6	6	
	1200	-				3,2	3,4	3,6	3,7	4	4,4	4,8	4,9	5,2	5,6	6	6,4	
	1250					3,3	3,5	3,7	3,8	4,1	4,5	4,9	5	5,3	5,7	6,1	6,5	
	1400					3,6	3,8	4	4,1	4,4	4,8	5,2	5,3	5,6	6	6,4	6,8	
	1600					4	4,2	4,4	4,5	4,8	5,2	5,6	5,7	6	6,4	6,8	7,2	
1800	-				4,4	4,6	4,8	4,9	5,2	5,6	6	6,1	6,4	6,8	7,2	7,6		
2000					4,8	5	5,2	5,3	5,6	6	6,4	6,5	6,8	7,2	7,6	8		

Graph 5 Closed blades leakage class 3 in acc. with EN 1751



Tab. 5.1.2. Damper cross section in m² considered for maximum allowed closed blades leakage in acc. with EN 1751

		A [mm]															
		200	250	300	315	400	500	600	630	800	1000	1200	1250	1400	1600	1800	2000
B [mm]	200	0,04	0,05	0,06	0,06	0,08	0,10	0,12	0,13	0,16	0,20	0,24	0,25	-			
	250	0,05	0,06	0,08	0,08	0,10	0,13	0,15	0,16	0,20	0,25	0,30	0,31				
	300	0,06	0,08	0,09	0,09	0,12	0,15	0,18	0,19	0,24	0,30	0,36	0,38				
	315	0,06	0,08	0,09	0,10	0,13	0,16	0,19	0,20	0,25	0,32	0,38	0,39				
	400	0,08	0,10	0,12	0,13	0,16	0,20	0,24	0,25	0,32	0,40	0,48	0,50				
	500	0,10	0,13	0,15	0,16	0,20	0,25	0,30	0,32	0,40	0,50	0,60	0,63	0,70	0,80	0,90	1
	600	0,12	0,15	0,18	0,19	0,24	0,30	0,36	0,38	0,48	0,60	0,72	0,75	0,84	0,96	1,08	1,20
	630	0,13	0,16	0,19	0,20	0,25	0,32	0,38	0,40	0,50	0,63	0,76	0,79	0,88	1,01	1,13	1,26
	800	0,16	0,20	0,24	0,25	0,32	0,40	0,48	0,50	0,64	0,80	0,96	1	1,12	1,28	1,44	1,60
	1000	0,20	0,25	0,30	0,32	0,40	0,50	0,60	0,63	0,80	1	1,20	1,25	1,40	1,60	1,80	2
	1200	-				0,48	0,60	0,72	0,76	0,96	1,20	1,44	1,50	1,68	1,92	2,16	2,40
	1250					0,50	0,63	0,75	0,79	1,00	1,25	1,50	1,56	1,75	2	2,25	2,50
	1400					0,56	0,70	0,84	0,88	1,12	1,40	1,68	1,75	1,96	2,24	2,52	2,80
	1600					0,64	0,80	0,96	1,01	1,28	1,60	1,92	2	2,24	2,56	2,88	3,20
1800	0,72					0,90	1,08	1,13	1,44	1,80	2,16	2,25	2,52	2,88	3,24	3,60	
2000	0,80					1	1,20	1,26	1,60	2	2,40	2,50	2,80	3,20	3,60	4	

6. Noise data

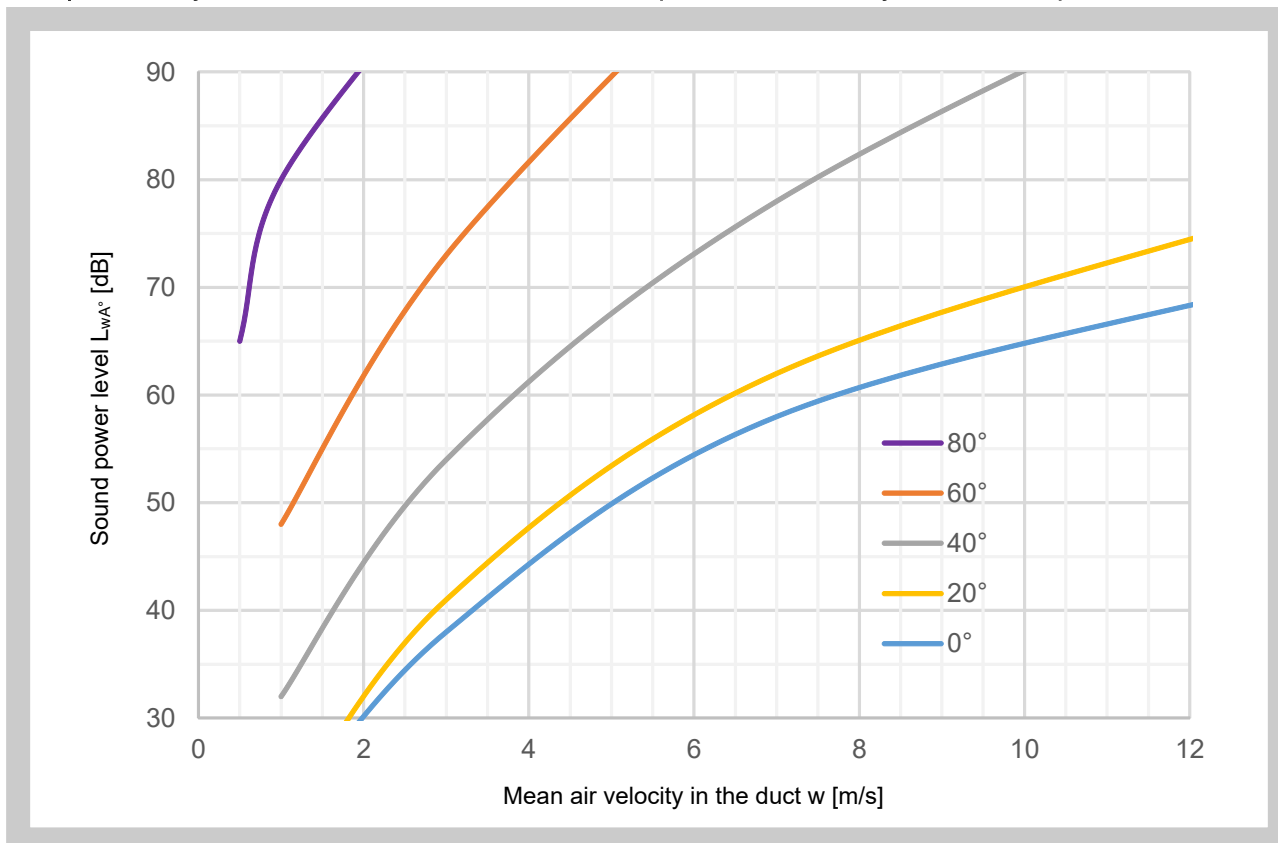
6.1. To some extent, the damper prevents the propagation of the noise between duct sections separated by the damper. Nevertheless, the damper generates its own noise, as a function of the mean air velocity in the duct and damper blade angle, in acc. with Table 6.1.1, Graph 6, and the following formula for the total acoustic power corrected by A-filter.

$$L_{WA} = L_{WA^0} + K$$

Tab. 6.1.1. Size correction factor K (dB) for acoustic power

		A [mm]															
		200	250	300	315	400	500	600	630	800	1000	1200	1250	1400	1600	1800	2000
B [mm]	200	-14	-13	-12	-12	-11	-10	-9	-9	-8	-7	-6	-6	-			
	250	-13	-12	-11	-11	-10	-9	-8	-8	-7	-6	-5	-5				
	300	-12	-11	-10	-10	-9	-8	-7	-7	-6	-5	-4	-4				
	315	-12	-11	-10	-10	-9	-8	-7	-7	-6	-5	-4	-4				
	400	-11	-10	-9	-9	-8	-7	-6	-6	-5	-4	-3	-3				
	500	-10	-9	-8	-8	-7	-6	-5	-5	-4	-3	-2	-2	-2	-1	0	0
	600	-9	-8	-7	-7	-6	-5	-4	-4	-3	-2	-1	-1	-1	0	0	1
	630	-9	-8	-7	-7	-6	-5	-4	-4	-3	-2	-1	-1	-1	0	1	1
	800	-8	-7	-6	-6	-5	-4	-3	-3	-2	-1	0	0	0	1	2	2
	1000	-7	-6	-5	-5	-4	-3	-2	-2	-1	0	1	1	1	2	3	3
	1200	-				-3	-2	-1	-1	0	1	2	2	2	3	3	4
	1250					-3	-2	-1	-1	0	1	2	2	2	3	4	4
	1400					-3	-2	-1	-1	0	1	2	2	3	4	4	4
	1600					-2	-1	0	0	1	2	3	3	4	4	5	5
1800	-1					0	0	1	2	3	3	4	4	5	5	6	
2000	-1					0	1	1	2	3	4	4	4	5	6	6	

Graph 6 Aerodynamic noise emissions to the duct L_{WA° – sound power level corrected by A-filter for a damper of 1 m² cross section



7. Electrical elements, wiring diagram

7.1. Assignment of Belimo actuators to dampers

Tab. 7.1.1. Assignment of Belimo actuators to dampers (by size) for dampers installed with horizontal blade axis (actuators with emergency function in brackets)

		A [mm]															
		200	250	300	315	400	500	600	630	800	1000	1200	1250	1400	1600	1800	2000
B [mm]	200	LM (LF)															
	250	LM (LF)															
	300																
	315																
	400					NM (NF)											
	500					NM (NF)											
	600					NM (NF)											
	630					NM (NF)											
	800					NM (NF)											
	1000					NM (NF)											
	1200					SM (SF)											
	1250					SM (SF)											
	1400					SM (SF)											
	1600					SM (SF)											
1800					SM (SF)												
2000					GM (2xSF)												

Tab. 7.1.2. Parameters of actuators, assignment to damper design

Type of servo actuator		Design	Position signal	Emergency functions	Torque	Weight [kg]	Dimensions L x H x W [mm]
LM	Belimo LM 230A-S	.46	YES	NO	5 Nm	0,6	116 x 61 x 66
	Belimo LM 230A	.45	NO			0,5	
	Belimo LM 24A-S	.56	YES			0,6	
	Belimo LM 24A	.55	NO			0,5	
	Belimo LM 24A-SR	.57	YES			0,5	
NM	Belimo NM 230A-S	.46	YES		10 Nm	0,9	124 x 62 x 80
	Belimo NM 230A	.45	NO			0,8	
	Belimo NM 24A-S	.56	YES			0,9	
	Belimo NM 24A	.55	NO			0,8	
	Belimo NM 24A-SR	.57	YES			0,8	
SM	Belimo SM 230A-S	.46	YES		20 Nm	1,1	139 x 64 x 88
	Belimo SM 230A	.45	NO			1,1	
	Belimo SM 24A-S	.56	YES			1,1	
	Belimo SM 24A	.55	NO			1,0	
	Belimo SM 24A-SR	.57	YES			1,1	
GM	Belimo GM 230A+S1A	.46	YES		40 Nm	1,8	179 x 70 x 116
	Belimo GM 230A	.45	NO			1,7	
	Belimo GM 24A-S	.56	YES			1,8	
	Belimo GM 24A	.55	NO			1,7	
	Belimo GM 24A-SR	.57	YES			1,7	
LF	Belimo LF 230A	.43	NO	5 Nm	1,7	130 x 82 x 98	
	Belimo LF 230A-S	.48	YES		1,8		
	Belimo LF 24A	.53	NO		1,5		
	Belimo LF 24A-S	.58	YES		1,6		
NF	Belimo NFA	.43	NO	10 Nm	1,8	182 x 93 x 98	
	Belimo NFA-S2	.48	YES		1,9		
	Belimo NF 24A	.53	NO		2,1		
	Belimo NF 24A-S2	.58	YES		2,3		
SF	Belimo SFA	.43	NO	20 Nm	1,7	182 x 93 x 98	
	Belimo SFA-S2	.48	YES		2,0		
	Belimo SF 24A	.53	NO		2,3		
	Belimo SF 24A-S2	.58	YES		2,4		

Tab. 7.1.3. Supply voltage and power input

Type of actuator	Supply voltage	Power input		
		In operation	Resting position	Dimensioning
LM 230A, LM 230A-S	AC 100 ... 240 V, 50/60 Hz	1,5 W	0,4 W	4 VA
LM 24A, LM 24A-S	AC 24 V, 50/60 Hz; DC 24 V	1 W	0,2 W	2 VA
LM 24A-SR	AC 24 V, 50/60 Hz; DC 24 V	1 W	0,4 W	2 VA
NM 230A-F, NM 230A-S	AC 100 ... 240 V, 50/60 Hz	2,5 W	0,6 W	6 VA
NM 24A-F, NM 24A-S	AC 24 V, 50/60 Hz; DC 24 V	1,5 W	0,2 W	3,5 VA
NM 24A-SR	AC 24 V, 50/60 Hz; DC 24 V	2 W	0,4 W	4 VA
SM 230A, SM 230A-S	AC 100 ... 240 V, 50/60 Hz	2,5 W	0,6 W	6 VA
SM 24A, SM 24A-S	AC 24 V, 50/60 Hz; DC 24 V	2 W	0,2 W	4 VA
SM 24A-SR	AC 24 V, 50/60 Hz; DC 24 V	2 W	0,4 W	4 VA
GM 230A	AC 85 ... 264 V, 50/60 Hz	5 W	2,5 W	9 VA
GM 24A, GM 24A-S	AC 24 V, 50/60 Hz; DC 24 V	4 W	2 W	6 VA
GM 24A-SR	AC 24 V, 50/60 Hz; DC 24 V	4,5 W	2 W	6,5 VA
LF 230, LF 230-S	AC 198 ... 264 V, 50/60 Hz	5 W	3 W	7 VA
LF 24, LF 24-S	AC 24 V, 50/60 Hz; DC 24 V	5 W	2,5 W	7 VA
NFA, NFA-S2	AC 24 ... 240 V, 50/60 Hz / DC 24 ... 125 V	6 W	2,5 W	9,5 VA
NF 24A, NF 24A-S2	AC 24 V, 50/60 Hz; DC 24 V	6 W	2,5 W	8,5 VA
SFA, SFA-S2	AC 24 ... 240 V, 50/60 Hz / DC 24 ... 125 V	7 W	3,5 W	18 VA
SF 24A, SF 24A-S2	AC 24 V, 50/60 Hz; DC 24 V	5 W	2,5 W	7,5 VA

7.2. Wiring diagram of servo actuators Belimo

Fig. 7 Wiring diagram of servo actuators Belimo LM 230A, NM 230A, SM 230A and GM 230A

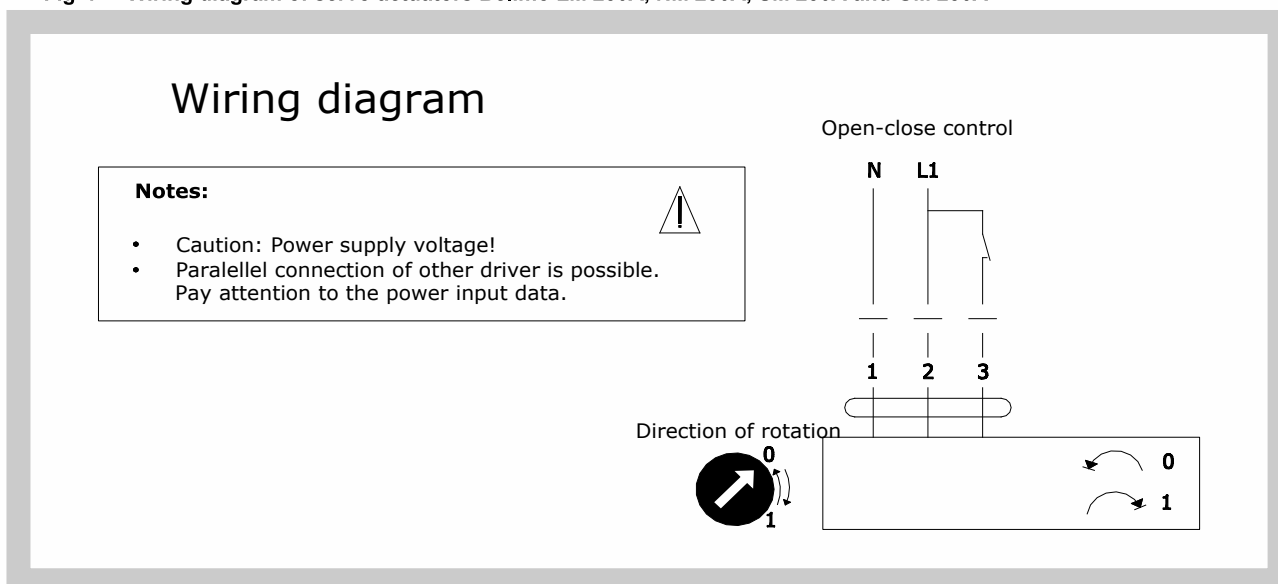


Fig. 8 Wiring diagram of servo actuators Belimo LM 24A, NM 24A, SM 24A and GM 24A

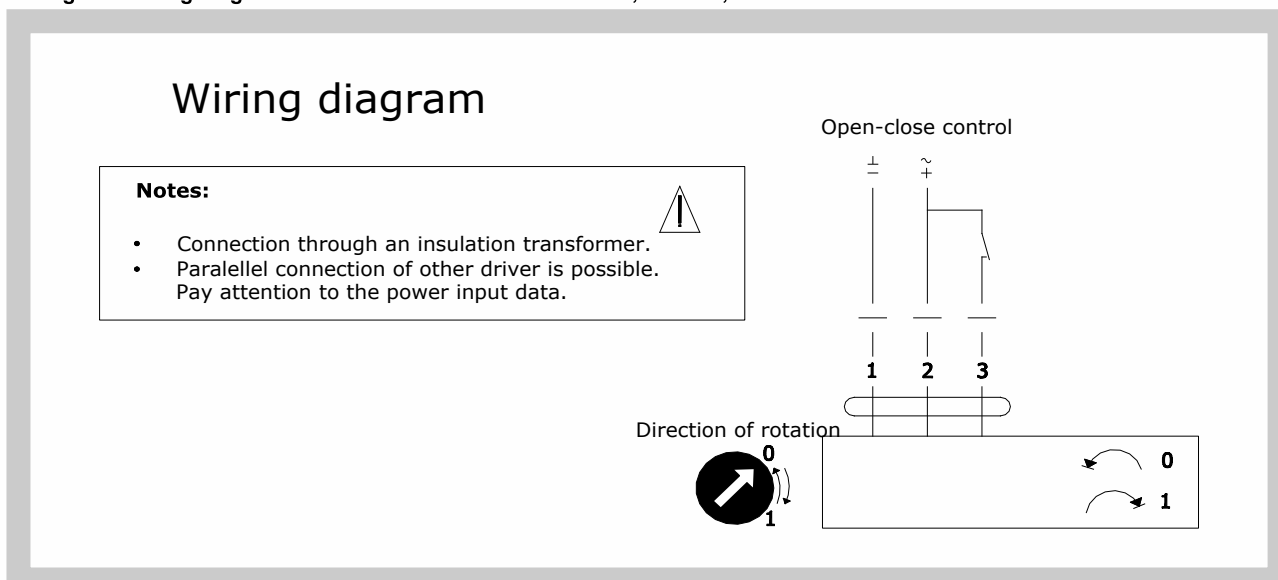


Fig. 9 Wiring diagram of servo actuators Belimo LM 24A-SR, NM 24A-SR, SM 24A-SR and GM 24A-SR

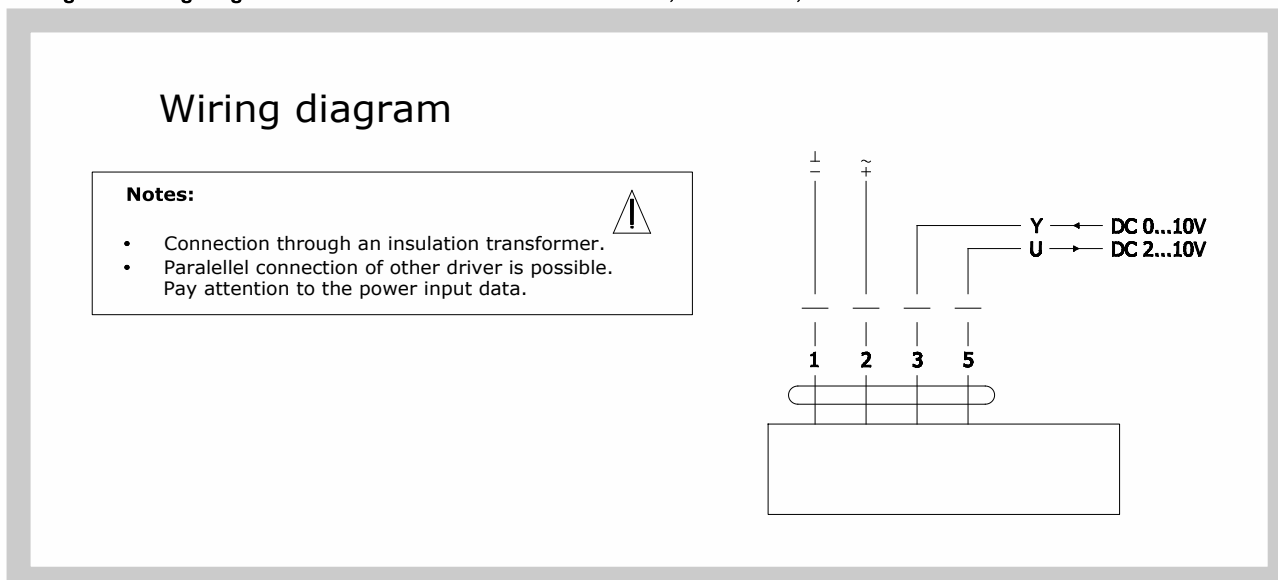


Fig. 10 Wiring diagram of servo actuators Belimo LM230A-S, NM 230A-S, SM 230A-S

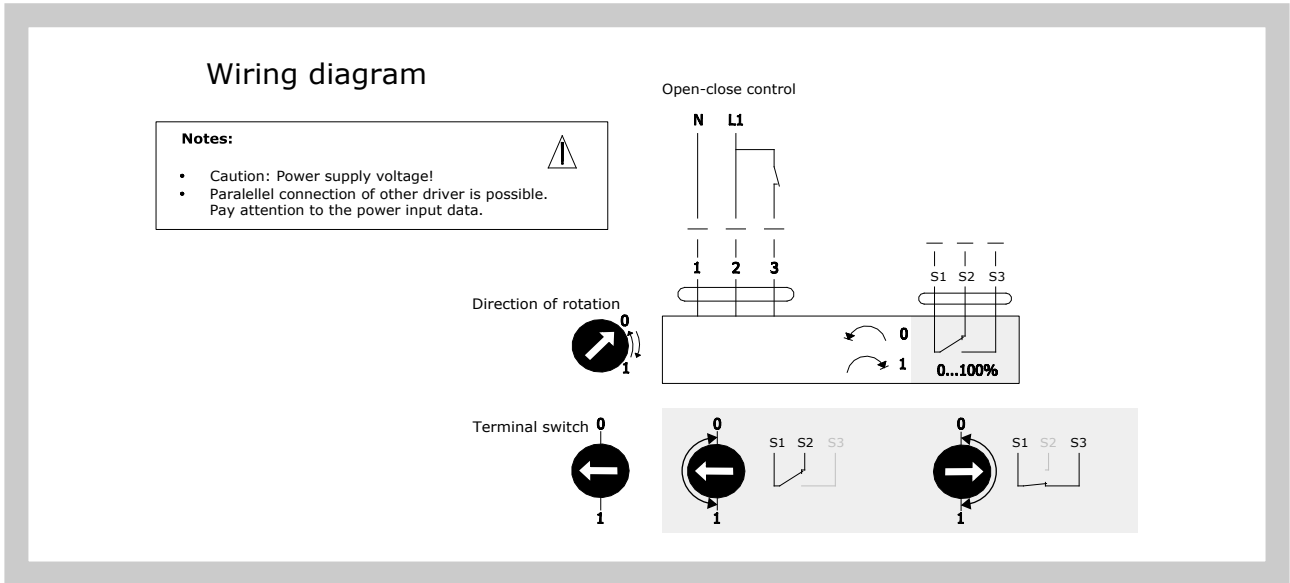


Fig. 11 Wiring diagram of servo actuators Belimo LM24A-S, NM 24A-S, SM 24A-S and GM 24A-S

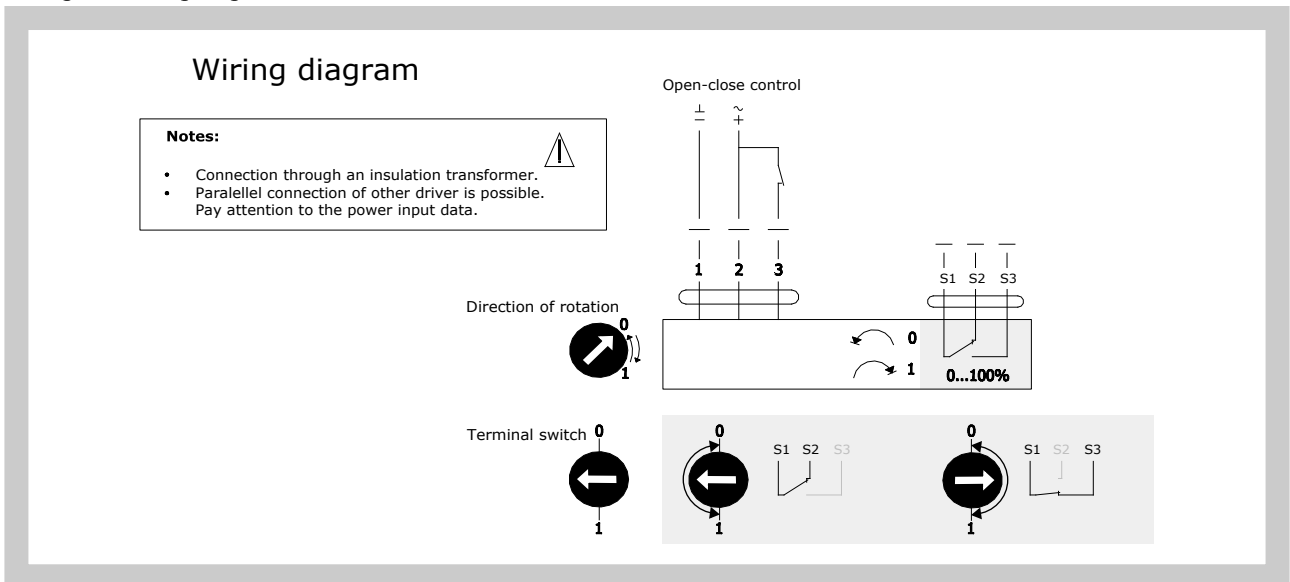


Fig. 12 Wiring diagram of servo actuators Belimo LF 24, NF 24A, SF 24A

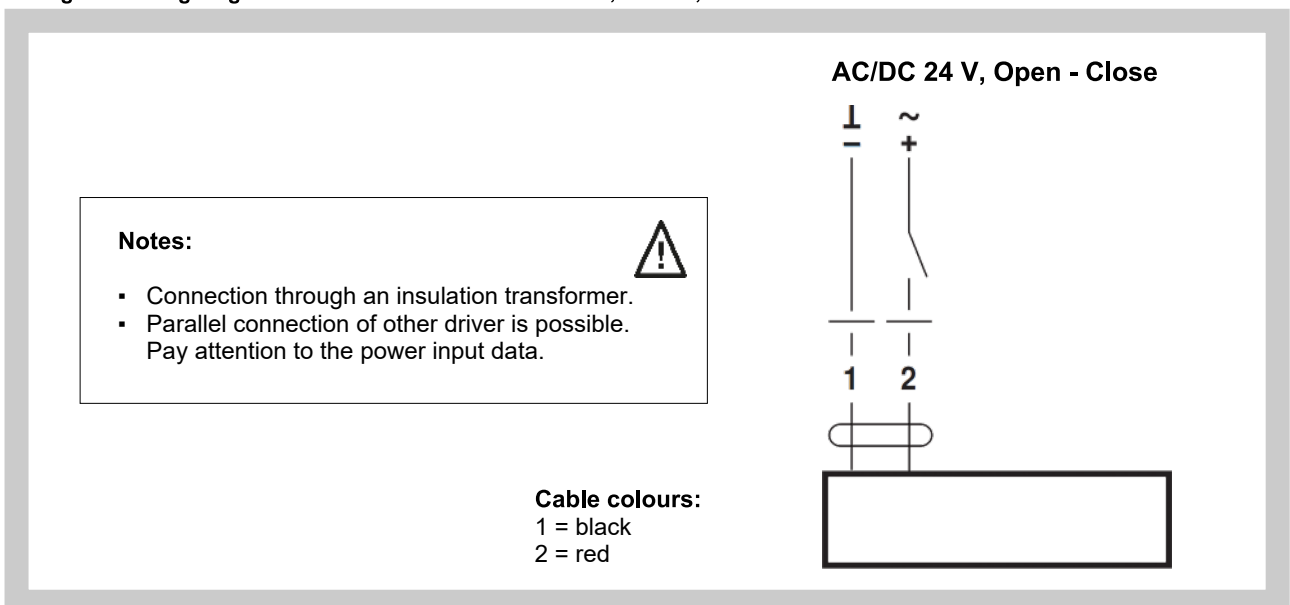


Fig. 13 Wiring diagram of servo actuators Belimo LF 230

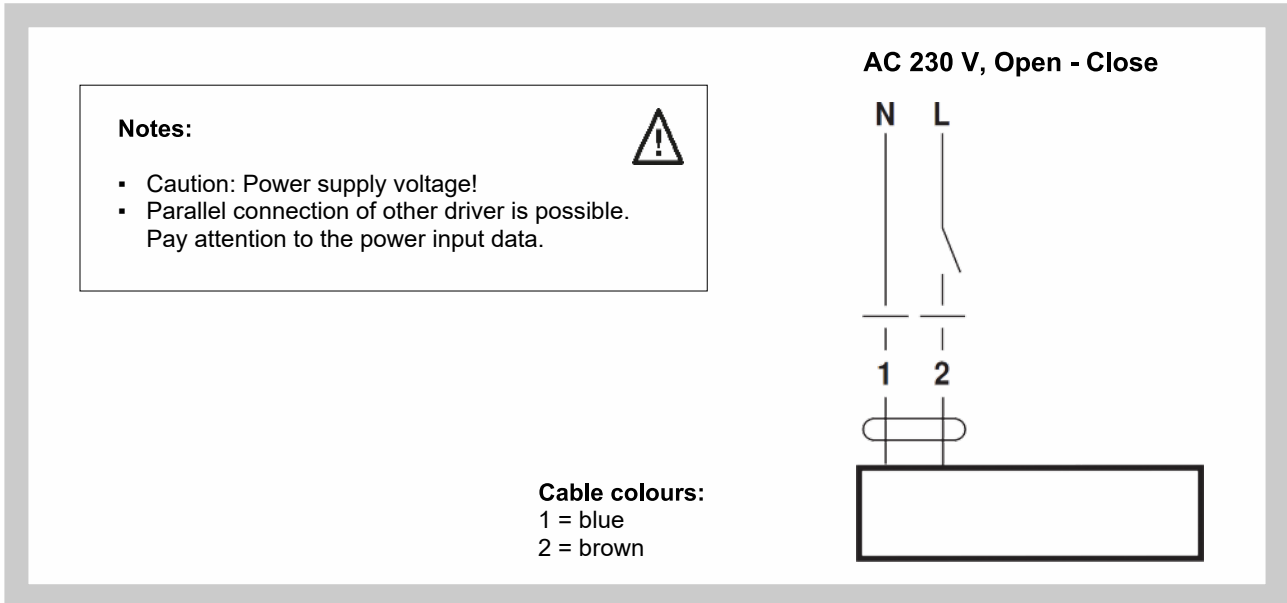


Fig. 14 Wiring diagram of servo actuators Belimo LF 24-S

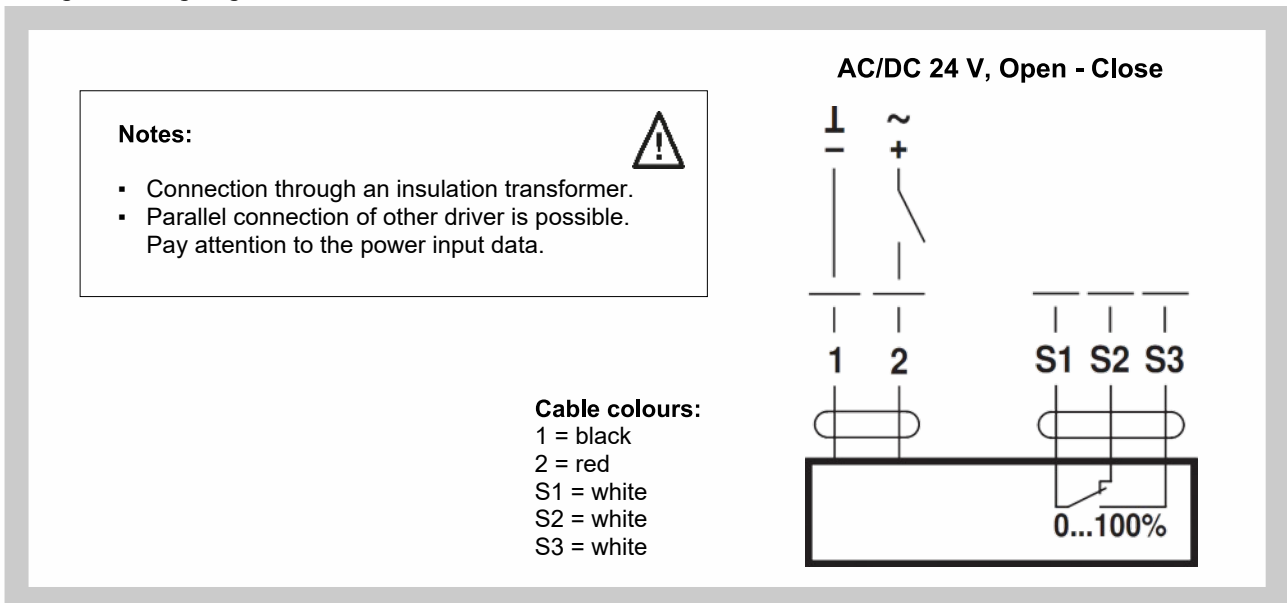


Fig. 15 Wiring diagram of servo actuators Belimo LF 230-S

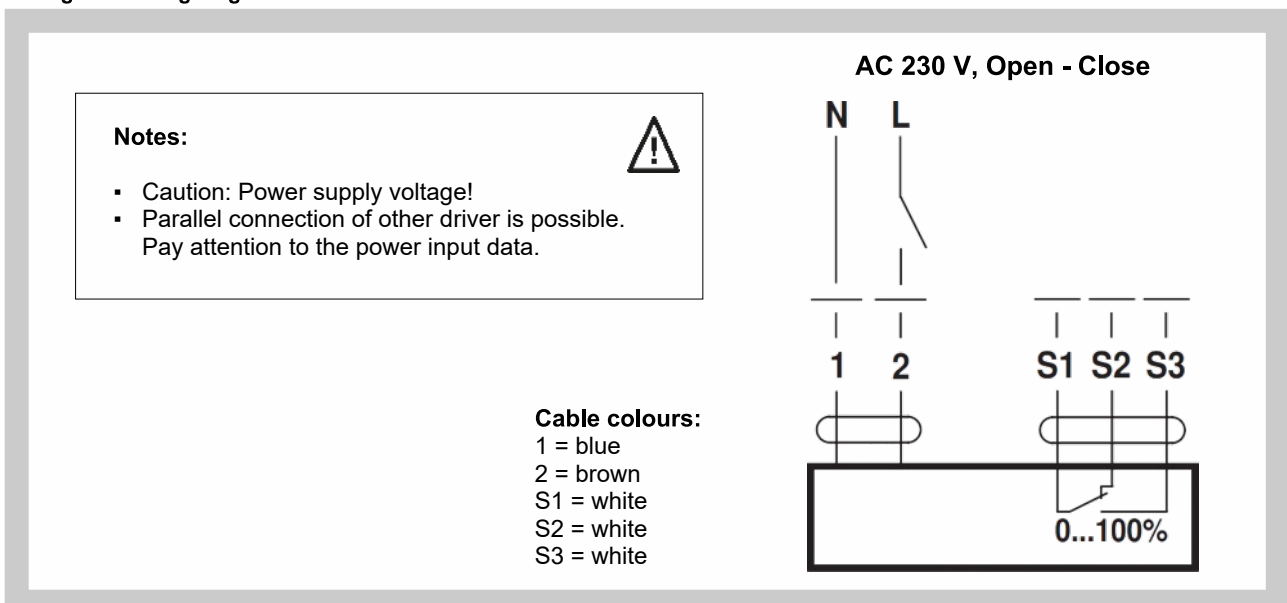


Fig. 16 Wiring diagram of servo actuators Belimo NFA, SFA

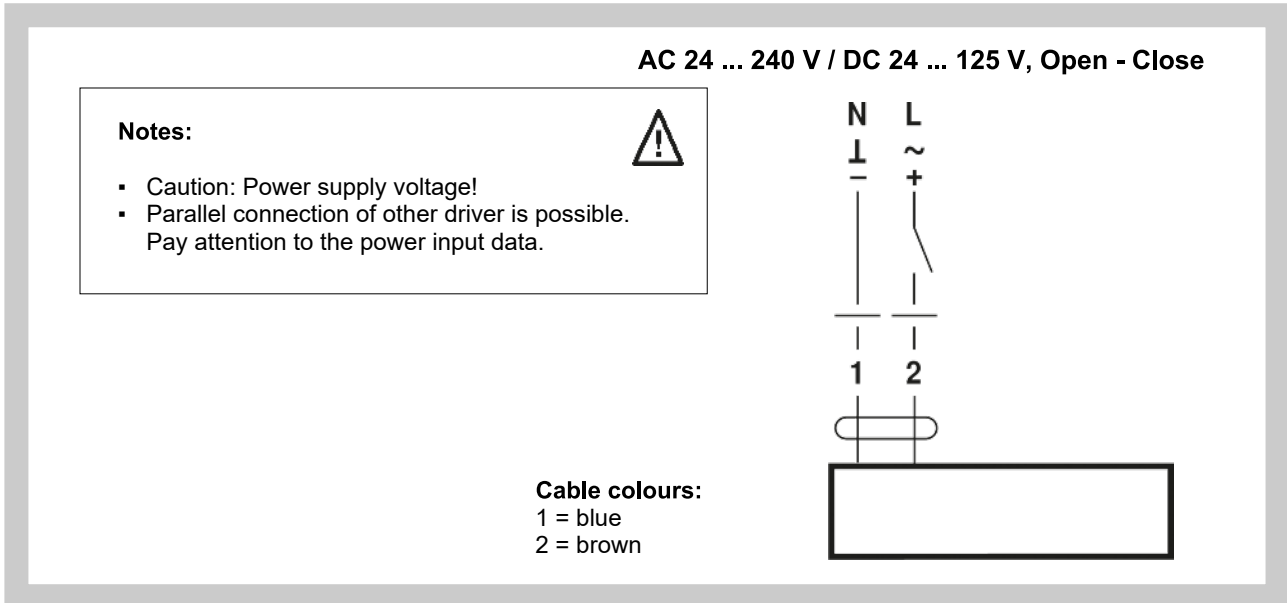


Fig. 17 Wiring diagram of servo actuators Belimo NF 24A-S2, SF 24A-S2

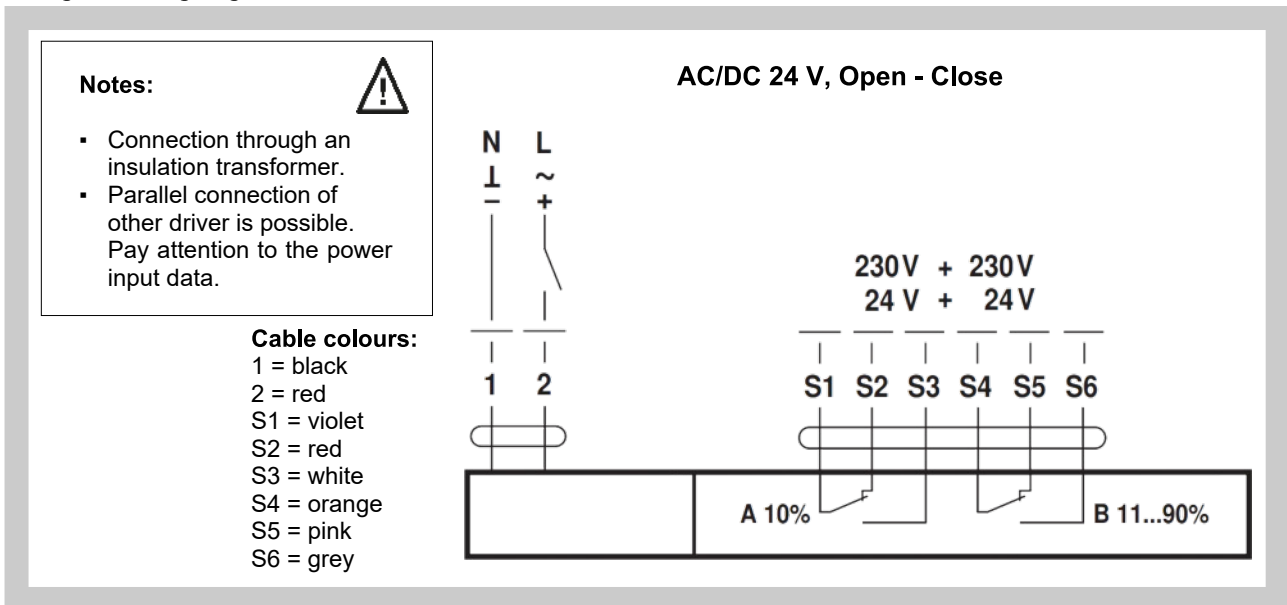
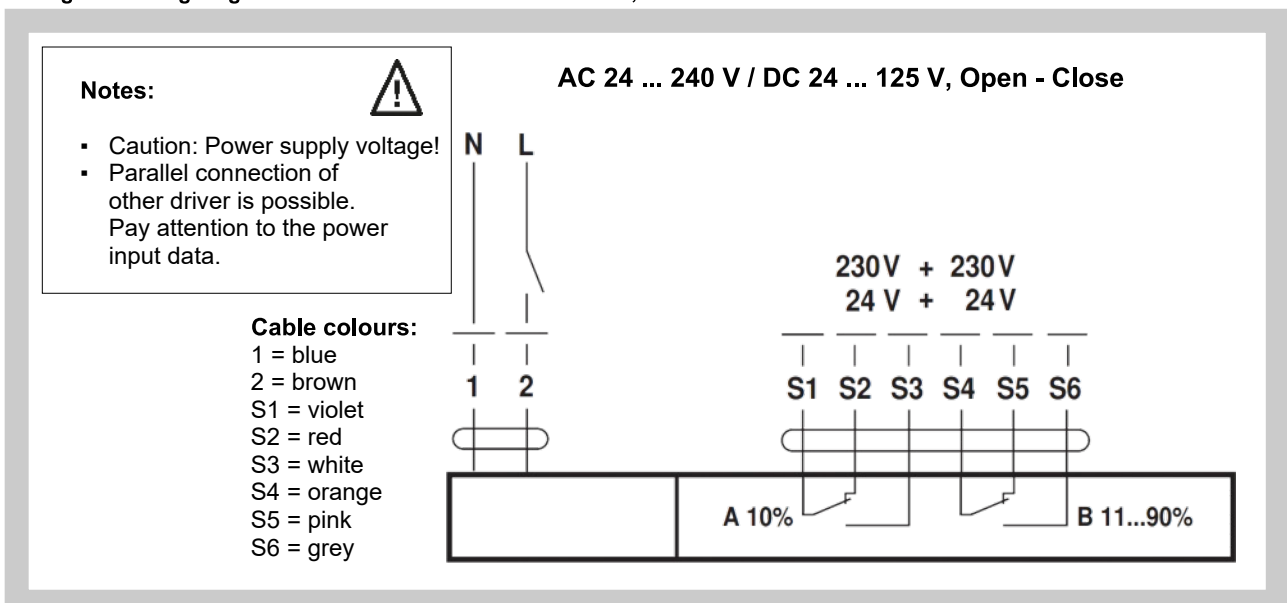


Fig. 18 Wiring diagram of servo actuators Belimo NFA-S2, SFA-S2



IV. MATERIAL, FINISHING

8. Material

8.1. Standard materials and finishing

Steel body (frame) and blades from DX51+Z275 zinc galvanized sheet metal, damper is delivered without any additional surface treatment. Blade end-plugs from composite material based on PA6 and glass fibres, with halogen-free UV-stabilisation and suppressed flammability additives giving V-0 flammability in accordance with UL-94, blade shafts from lead-free mild steel with composite plane bearings. The blades are with EPDM gasket, blade end-cups are with EPDM sliding gaskets with closed pores, with sliding film from PA6.

8.2. Special materials and finishing options

On customer request, the damper may be delivered from stainless steel.

Specification of stainless steel designs – material options:

- A2 – food grade stainless steel (AISI 304 – EN 17240)
- A4 – chemical grade stainless steel with reduced carbon content (AISI 316L – EN 17349)

All metal parts are from the stainless steel, except for the actuator and eventually, actuator shaft transition part.

On special customer request, blade shaft bearings may be delivered as a compact part from stainless steel, where the composite slide bearing from the standard design will be replaced by stainless steel sliding surface.

Selalings, gaskets, actuator shaft transition parts, actuators, and end-switches are identical for all material options.

Some fasteners are available only in one stainless steel grade, those fasteners will be used in all stainless steel designs.

Other special requirements on materials and/or additional surface treatment will be responded individually.

V. INSPECTION, TESTING

9. Inspection

- 9.1. Dimensions are checked using regular rulers according to the standard applicable to dimensions without defined tolerances used in the air conditioning trade.
- 9.2. Intra operational inspections of the parts and main dimensions according to the drawing documentation are performed.

10. Testing

- 10.1. After assembly, the operation of the blade and of electrical actuators is performed.

VI. PACKING, TRANSPORT AND STORAGE

11. Logistic terms

- 11.1. The delivery includes a complete damper including the control mechanism.
- 11.2. The dampers are transported as bulk cargo, using suitable covered means of transport. When agreed upon with the manufacturer, the dampers can be loaded onto pallets or wooden crates. Dampers must be protected from mechanical damage during transport and storage. If packing is used, it is non-returnable and its price is not included in the price of the damper.
- 11.3. If not otherwise agreed, the handover is considered when the goods is forwarded to the carrier.
- 11.4. The dampers must be stored in the indoor environment without any aggressive vapours, gases or dust. Indoor temperature must be in the range from -5°C to +40°C and maximum relative humidity 80%. Dampers must be protected against mechanic damages when transported and manipulated.

VII. ORDERING INFORMATION

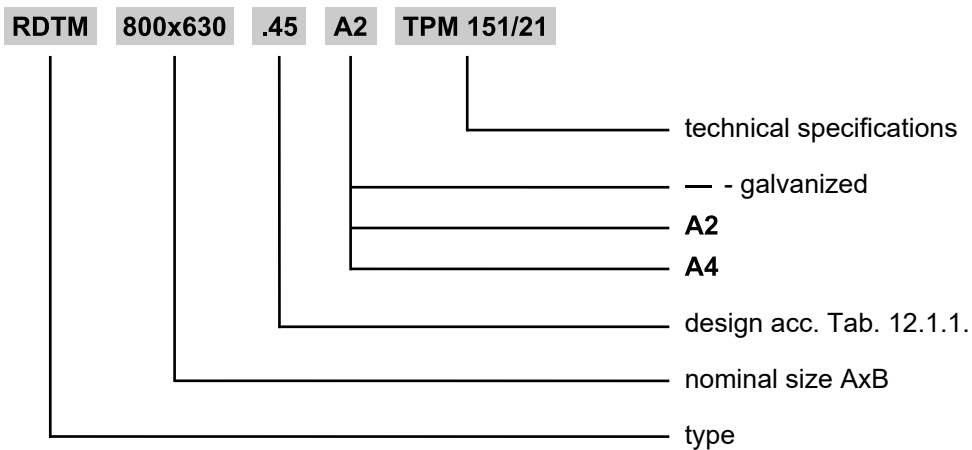
12. List of the most frequently ordered designs

12.1. List of the most frequently ordered designs is shown in Table 12.1.1. Complete list of available designs may be downloaded from the web site, or may be received from your sales representative.

Tab. 12.1.1. List of the most frequently ordered designs

Design of damper - type of control	Additional digit
Manually controlled	.01
To fit actuator drive - ready to mount an actuator	.09
Actuator with emergency function 230V - closed without voltage	.43
Actuator controlled 230V, two point regulation - without position signal	.45
Actuator controlled 230V, two point regulation - with position signal	.46
Actuator with emergency function 230V - two point regulation + position signal (2 positions) - closed without voltage	.48
Actuator with emergency function 24V - closed without voltage	.53
Actuator controlled 24V, two point regulation - without position signal	.55
Actuator controlled 24V, two point regulation - with position signal	.56
Actuator controlled 24V SR with smooth regulation	.57
Actuator with emergency function 24V - with position signal (2 positions)	.58

13. Ordering key



MANDÍK, a.s.
Dobříšská 550
26724 Hostomice
Czech Republic
Tel.: +420 311 706 706
E-Mail: mandik@mandik.cz
www.mandik.com

The producer reserves the right for innovations of the product. For actual product information see
www.mandik.com