

RS 100 EC K 01

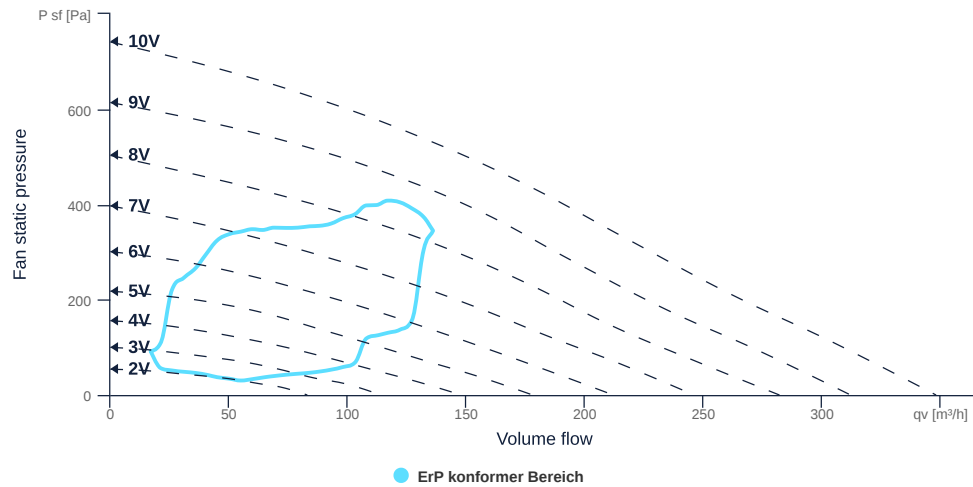
154597

- Compact radial fan
- Backward curved impeller
- Sheet steel housing, RAL 7035, powder coated
- High efficiency EC motor, steplessly controllable
- Conveying medium temperature up to 50 °C in continuous operation
- Internal electronic temperature monitoring



MAP

Name	Value	Unit
Volume flow	0	m³/h
Pressure	0	Pa



to the product detail page

RS 100 EC K 01

154597

ruck

GENERAL DATA

Name	Value	Unit	Formula symbol
Labeling	CE, UKCA		
Duct size	-		WxH _{duct}
Pipe connection size (DN)	DN100		DN
Rated voltage (entire device)	230	V	U _{rated}
Phases (entire device)	1~		phase
Electrical protection (entire device)	6 A		fuse
Housing material	Steel		mat _{casing}
Impeller material	Plastic		mat _{impeller}
Weight	2.66	kg	m
Nominal air flow rate, nominal point m ³ /h	122.4	m ³ /h	q _{v,nom}
Nominal external pressure, static	455	Pa	p _{s,nom}
Fan type	Radial		Fan _{type}
Category / Installation situation	B		cat

ERP DATA (LOT 6)

Name	Value	Unit	Formula symbol
Nominal air flow rate, nominal point m ³ /s	0.03	m ³ /s	q _{v,nom}
Actual electrical input power, nominal point	0.06	kW	P _{e,nom}
Face velocity, nominal point	4.3	m/s	v _{nom}
Nominal external pressure, static	455	Pa	p _{s,nom}
supply air fan static efficiency, nominal point	35.3	%	η _{es,SUP}
Highest external air leakage rate	2.02	%	
Rating	Product is compliant 2018		

MAXIMAL DATA

Name	Value		Unit	Formula symbol
	50 Hz	60 Hz		
Max. power consumption (device)	113	113	W	P _{ed,max}
Max. operating current (device)	0.95	0.95	A	I _{ed,max}
Max. speed	3970	3970	1/min	n _{max}
Max. stat. efficiency	20.2	20.2	%	η _{es}
Max. fan efficiency	20.5	20.5	%	η _e
Max. flowrate	350	350	m ³ /h	q _{v,max}
Max. stat pressure	740	740	Pa	p _{st,max}
Max. medium temperature	50	50	°C	T _{m,max}
Max. environment temperature	50	50	°C	T _{amb,max}
Min. environment temperature	-30	-30	°C	T _{amb,min}



to the product detail page

RS 100 EC K 01

154597

ruck

MOTOR DATA

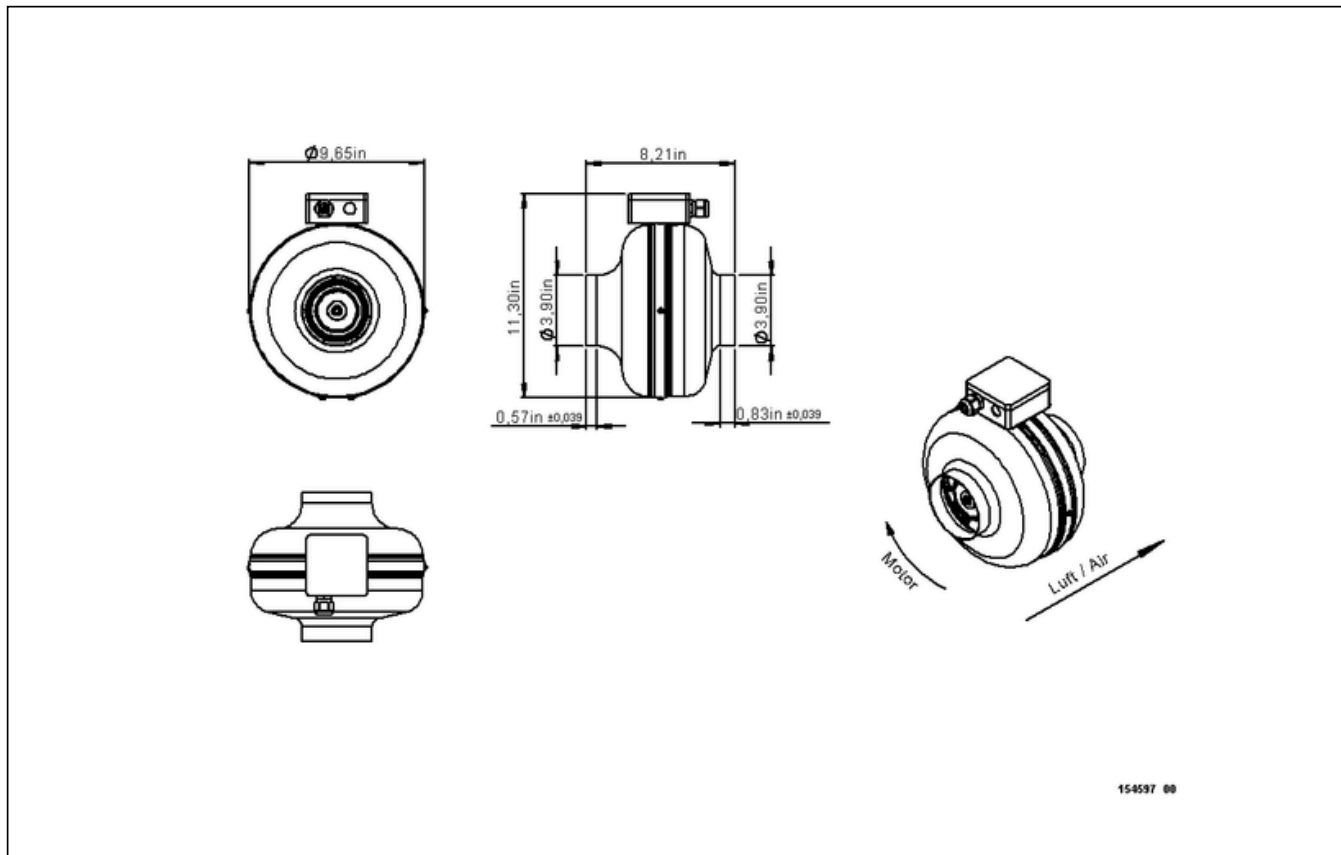
Name	Value		Unit	Formula symbol
	50 Hz	60 Hz		
Rated frequency (device)		50		f
Motor type		EC		phase
Control type		stepless-controlled		ctrltype
Installation type		ORM (Out)		install
Rotation direction		right		rotation
Isolation class		ISO F		ISOclass
Motor-protection		TEC		protectmotor
Protection class		IP54		IPmotor
Is pole-changeable		No		polexch
Type of power supply		AC 1~		pwrsupmotor
Min. temperature	-30		°C	Tmotor, min
Cos Phi	0.560000	0.000000		cos φ
UL-Certification motor		None		ULcert



RS 100 EC K 01

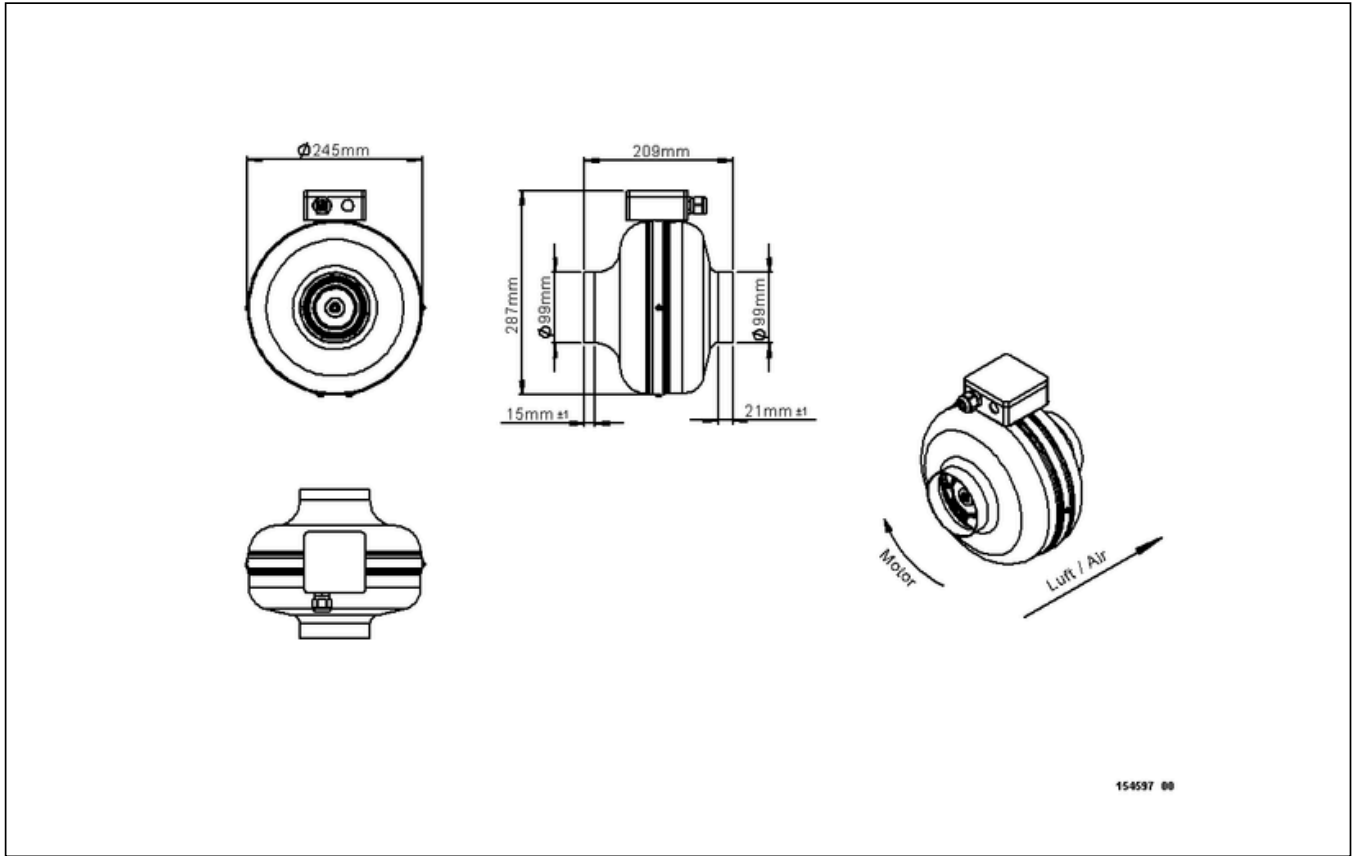
154597

CIRCUIT DIAGRAMS / DIMENSIONAL DRAWINGS



RS 100 EC K 01

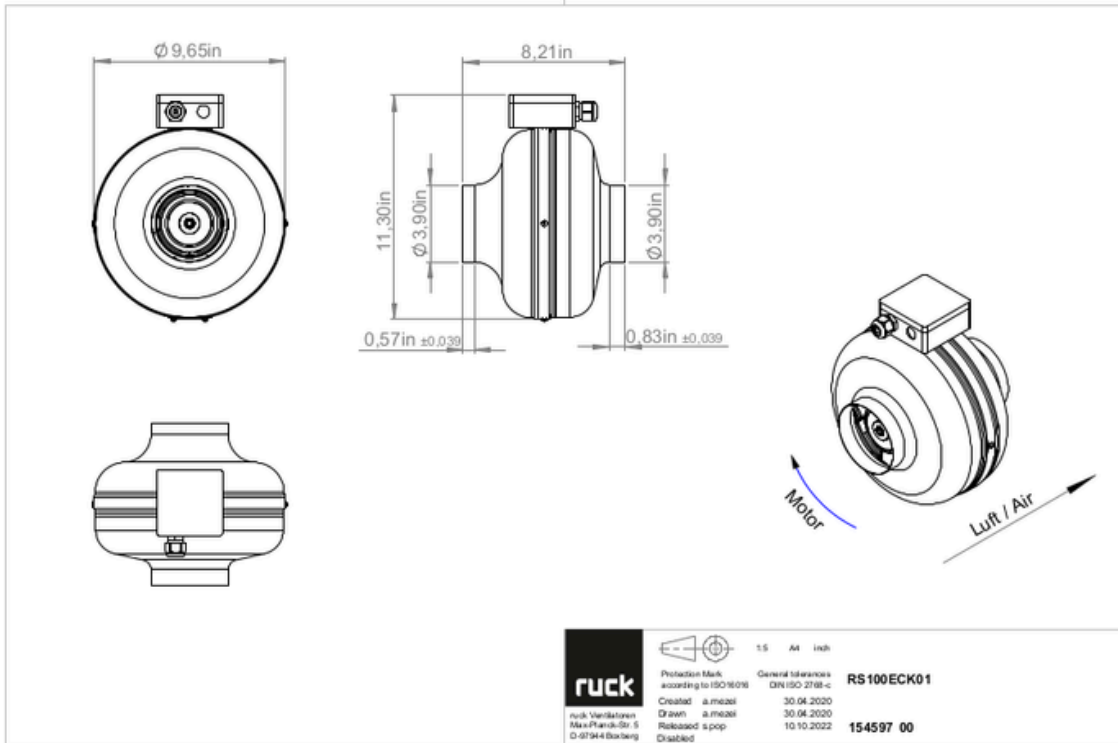
154597



RS 100 EC K 01

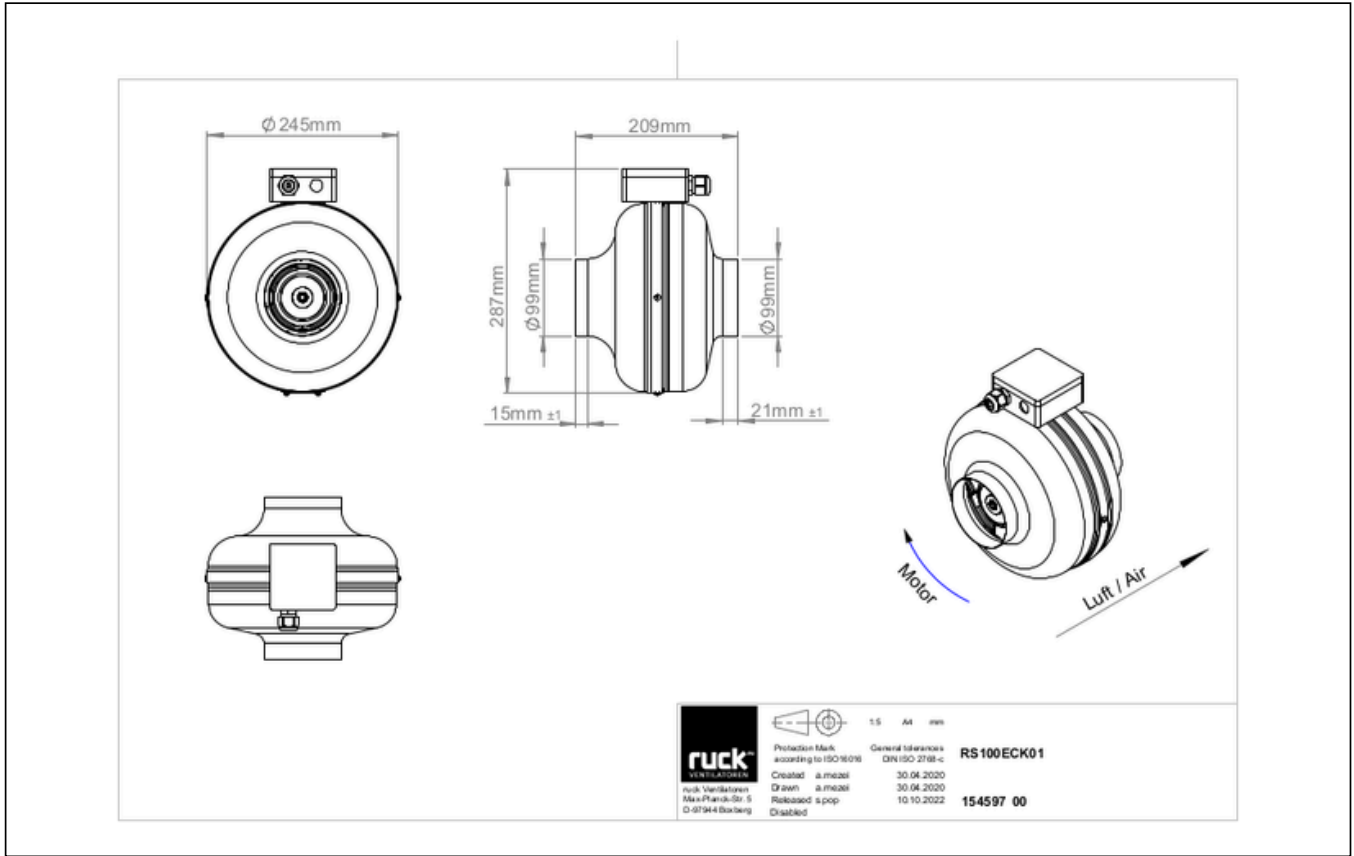
154597

ruck



RS 100 EC K 01

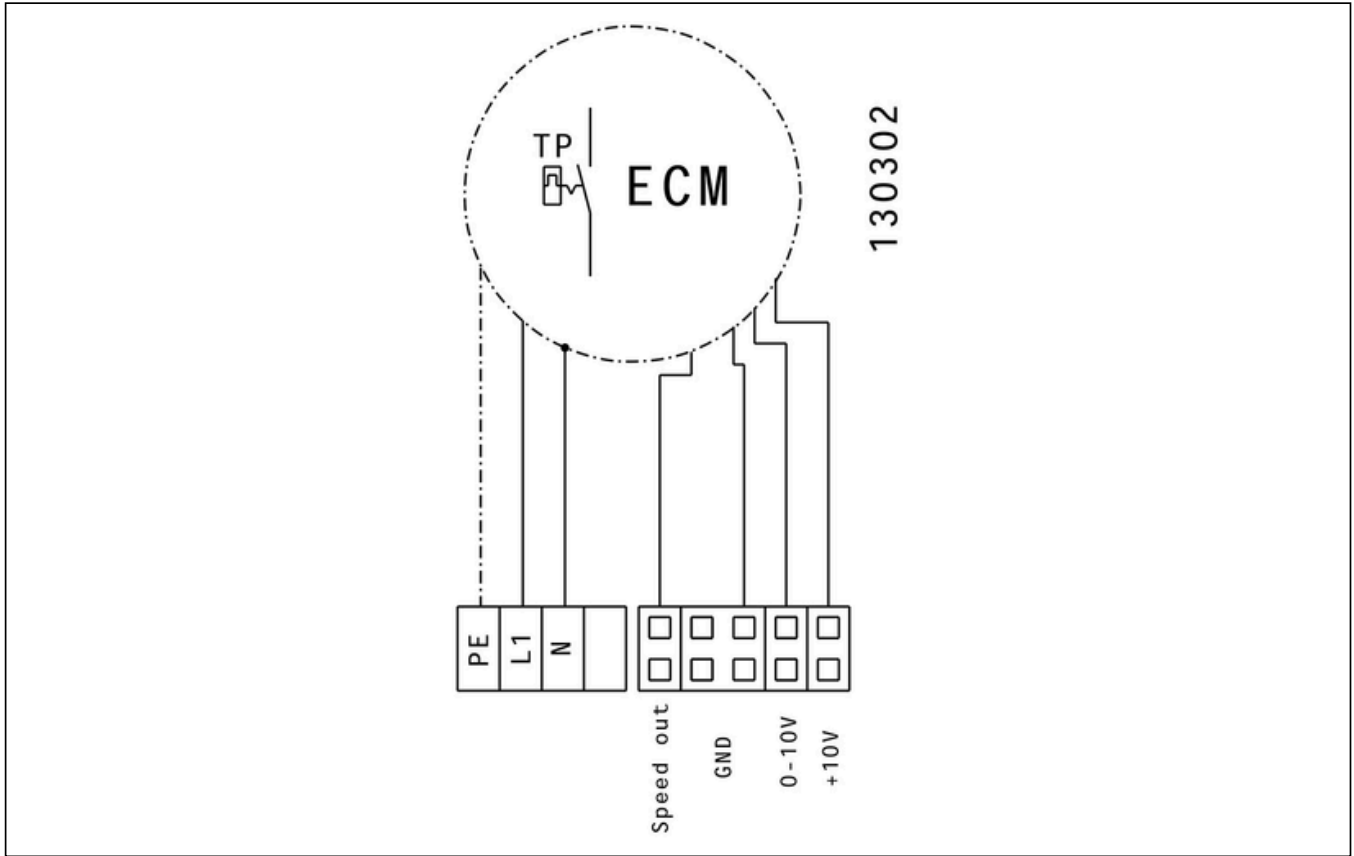
154597



to the product detail page

RS 100 EC K 01

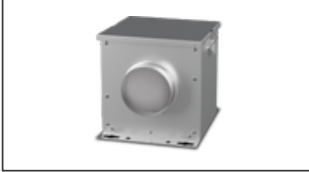
154597



[to the product detail page](#)

MECHANICAL ACCESSORIES

FV 100 | 112678



- Air filter box with mat filter ISO Coarse 45 % (G3)
- Toggle-type fastener

FT 100 | 112844



- Air filter box for pocket filter
- Toggle-type fastener
- Galvanized steel sheet housing
- Without filter

FTW 100 | 112849



- Air filter box with pocket filter M5
- Integrated warm water heating coil
- Galvanized steel sheet housing
- Toggle-type fastener

RSK 100 | 102658



- Back draught shutter for tube fitting
- Galvanized steel sheet housing
- Aluminum flaps

RSK 100D | 116061



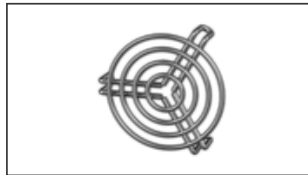
- Back draught shutter for tube fitting
- Galvanized steel sheet housing
- Aluminum flaps
- Integrated gasket

VM 100 | 102643



- Fast clamps for sound decoupling and sealing
- Galvanized steel sheet, 5 mm
- Neopren gasket
- 1 Pack = 2 pieces

SG 100 01 | 102894



- Protection grille for tube connection
- Galvanized wire

SDS 100 | 102709



- Rigid tube silencer
- Galvanized steel sheet
- Sound insulation packing 50 mm (mineral wool)

SDF 100 | 102699



- Flexible tube silencer
- Galvanized steel sheet
- Sound insulation packing 50 mm

MRS 1 | 110094



- Mounting bracket
- Galvanized steel sheet
- Includes: Mounting bracket and 2 Phillips screws (6 x 45 mm), 2 dowels (8 x 40 mm)



ELECTRICAL ACCESSORIES

GS 03 | 107633



- Device switch
- $U_{max} = 400\text{ V}$, $I_{max} = 25\text{ A}$
- Switching capacity $400\text{ V } 3\sim = 5,5\text{ kW}$
- Protection class IP 55

MTP 20 | 128146



- Potentiometer $10\text{ k}\Omega$
- Switching contact $1\text{A}/250\text{V AC} - 2,5\text{A}/12\text{V DC}$
- Max. ambient temperature $50\text{ }^\circ\text{C}$
- VDE

MTP 30 | 143289



- Stepped potentiometer $10\text{ k}\Omega$
- Step 1 + 2 settable $10\% - 100\% \text{ Vdc}$
- Step 3 $100\% \text{ Vdc}$
- Supply voltage $+10\text{ Vdc}$

MTP 40 | 147359



- Potentiometer $10\text{ k}\Omega$
- Connection in terminal box
- Max. ambient temperature $50\text{ }^\circ\text{C}$
- PU: 20 pieces

SEN AIR | 148641



- Airflow and temperature transducer
- Measuring range temperature $0...+50\text{ }^\circ\text{C}$
- With adjustable switching threshold (air speed)
- Measuring range air velocity up to 20 m/s

CON P1000 | 115259



- Constant pressure control
- Actual value display possible via optional control unit
- Output $0-10\text{ V DC} + \text{FC enable} + \text{setpoint reached}$
- Pressure setting by means of decade switch

MTP 50 | 153133



- Potentiometer with multifunction output
- $230\text{ VAC } \pm 10\% / 50-60\text{ Hz}$
- Selectable output: $1-10\text{ VDC} / 2-20\text{ mA} / 10-100\% \text{ PWM}$
- Min. and max. output value adjustable

