

# RS 315 10

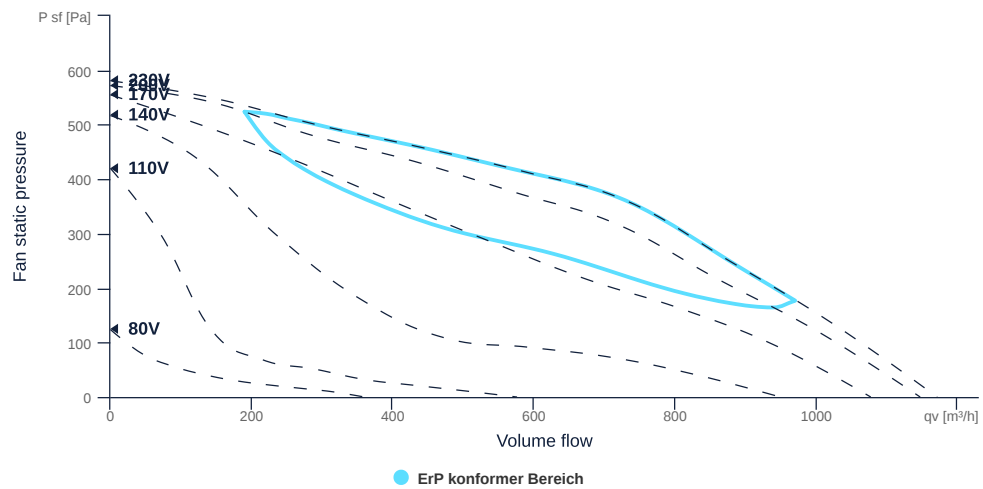
136400

- Compact radial fan
- Backward curved impeller
- Sheet steel housing, RAL 7035, powder coated
- Robust single phase AC motor, steplessly controllable
- Conveyed medium temperature up to 70 °C in continuous operation
- Integrated thermal switch



## MAP

Name	Value	Unit
Volume flow	0	m³/h
Pressure	0	Pa



to the product detail page

## GENERAL DATA

Name	Value	Unit	Formula symbol
Labeling	CE, UKCA		
Duct size	-		WxH <sub>duct</sub>
Pipe connection size (DN)	DN315		DN
Rated voltage (entire device)	230	V	U <sub>rated</sub>
Phases (entire device)	1~		phase
Electrical protection (entire device)	6 A		fuse
Housing material	Steel		mat <sub>casing</sub>
Impeller material	Plastic		mat <sub>impeller</sub>
Weight	5.7	kg	m
Nominal air flow rate, nominal point m <sup>3</sup> /h	968.4	m <sup>3</sup> /h	q <sub>v,nom</sub>
Nominal external pressure, static	175	Pa	p <sub>s,nom</sub>
Fan type	Radial		Fan <sub>type</sub>
Category / Installation situation	A		cat

## ERP DATA (LOT 6)

Name	Value	Unit	Formula symbol
Nominal air flow rate, nominal point m <sup>3</sup> /s	0.27	m <sup>3</sup> /s	q <sub>v,nom</sub>
Actual electrical input power, nominal point	0.15	kW	P <sub>e,nom</sub>
Face velocity, nominal point	3.46	m/s	v <sub>nom</sub>
Nominal external pressure, static	175	Pa	p <sub>s,nom</sub>
supply air fan static efficiency, nominal point	43.3	%	η <sub>es,SUP</sub>
Highest external air leakage rate	0.13	%	
Enclosure sound level, nominal point	60	dB(A)	L <sub>WA2</sub>
Rating	Product is compliant 2018		



to the product detail page

## MAXIMAL DATA

Name	Value		Unit	Formula symbol
	50 Hz	60 Hz		
Max. power consumption (device)	162	238	W	P <sub>ed, max</sub>
Max. operating current (device)	0.89	1.12	A	I <sub>ed, max</sub>
Max. speed	2890	3410	1/min	n <sub>max</sub>
Max. stat. efficiency	42	35.6	%	η <sub>es</sub>
Max. fan efficiency	42.5	35.8	%	η <sub>e</sub>
Max. flowrate	1170	1330	m <sup>3</sup> /h	Q <sub>v, max</sub>
Max. stat pressure	580	800	Pa	p <sub>st, max</sub>
Max. medium temperature	70	40	°C	T <sub>m, max</sub>
Max. environment temperature	70	40	°C	T <sub>amb, max</sub>
Min. environment temperature	-25	-25	°C	T <sub>amb, min</sub>
Min. voltage	80	80	V	U <sub>min</sub>

## MOTOR DATA

Name	Value		Unit	Formula symbol
	50 Hz	60 Hz		
Rated frequency (device)		50		f
Motor type		AC 1~		phase
Control type		stepless-controlled		ctrltype
Installation type		ORM (Out)		install
Rotation direction		right		rotation
Isolation class		ISO F		ISOclass
Motor-protection		TMI		protectmotor
Protection class		IP33		IP <sub>motor</sub>
Is pole-changeable		No		polexch
Type of power supply		AC 1~		pwrSUP <sub>motor</sub>
Capacity capacitor		5	μF	C <sub>cond</sub>
Voltage capacitor		400	V	VU <sub>cond</sub>
Number of poles (1)		2.000000		num poles <sub>w1</sub>
Rated voltage	230		V	U <sub>rated, f1</sub>
Rated current	0.7		A	I <sub>rated, f1</sub>
Speed	2685		1/min	n <sub>f1</sub>
Min. temperature	-30		°C	T <sub>motor, min</sub>
UL-Certification motor		None		ULcert



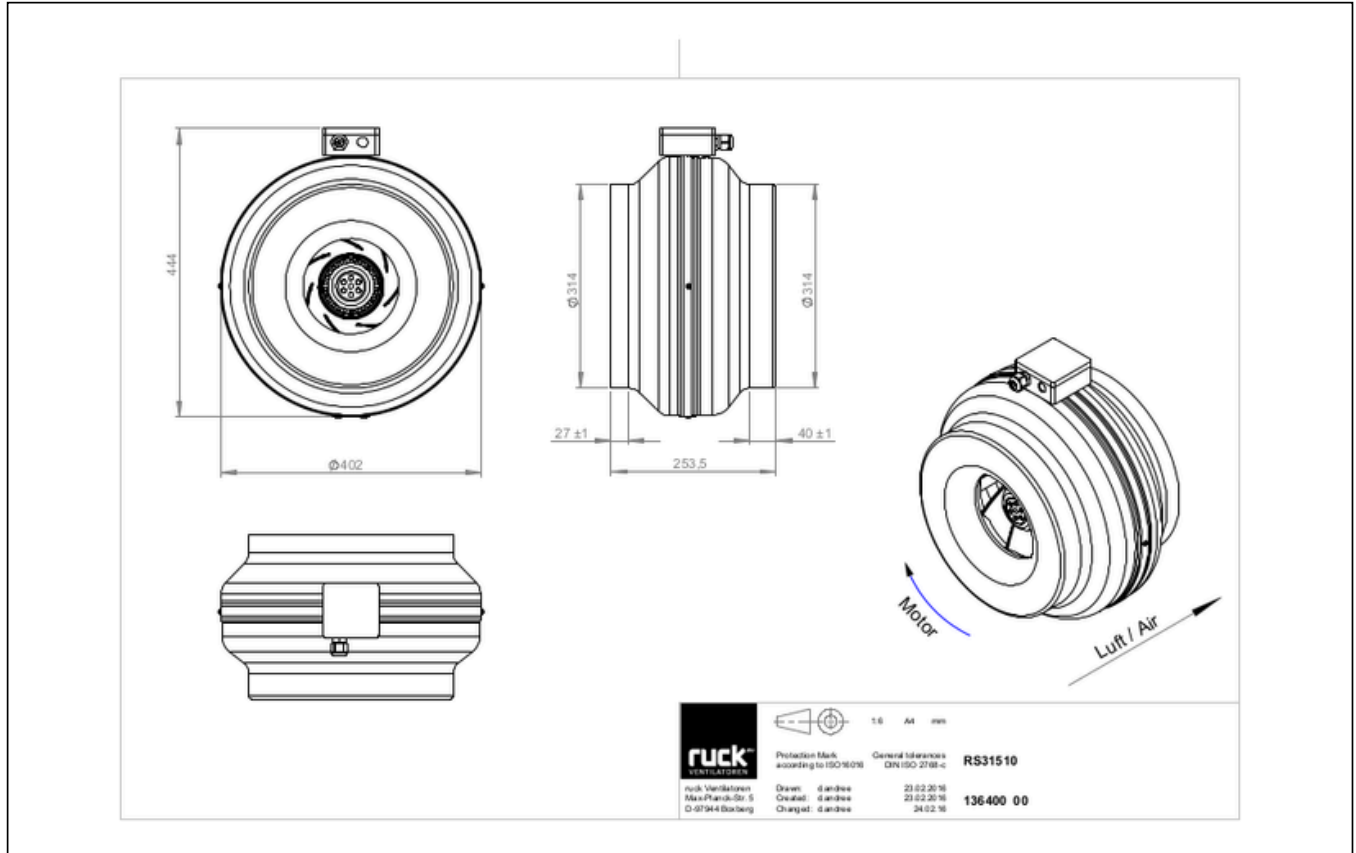
to the product detail page

# RS 315 10

136400

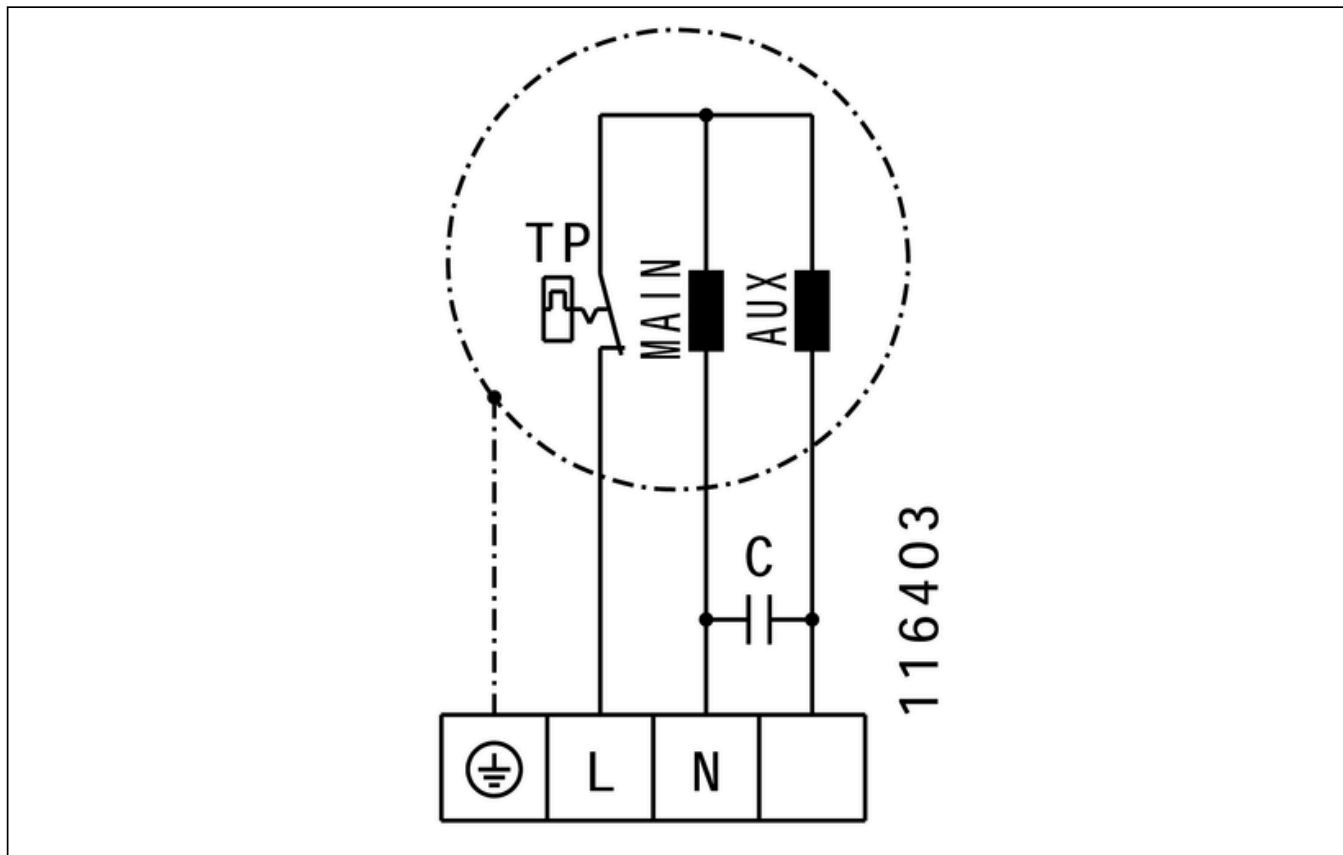


## CIRCUIT DIAGRAMS / DIMENSIONAL DRAWINGS



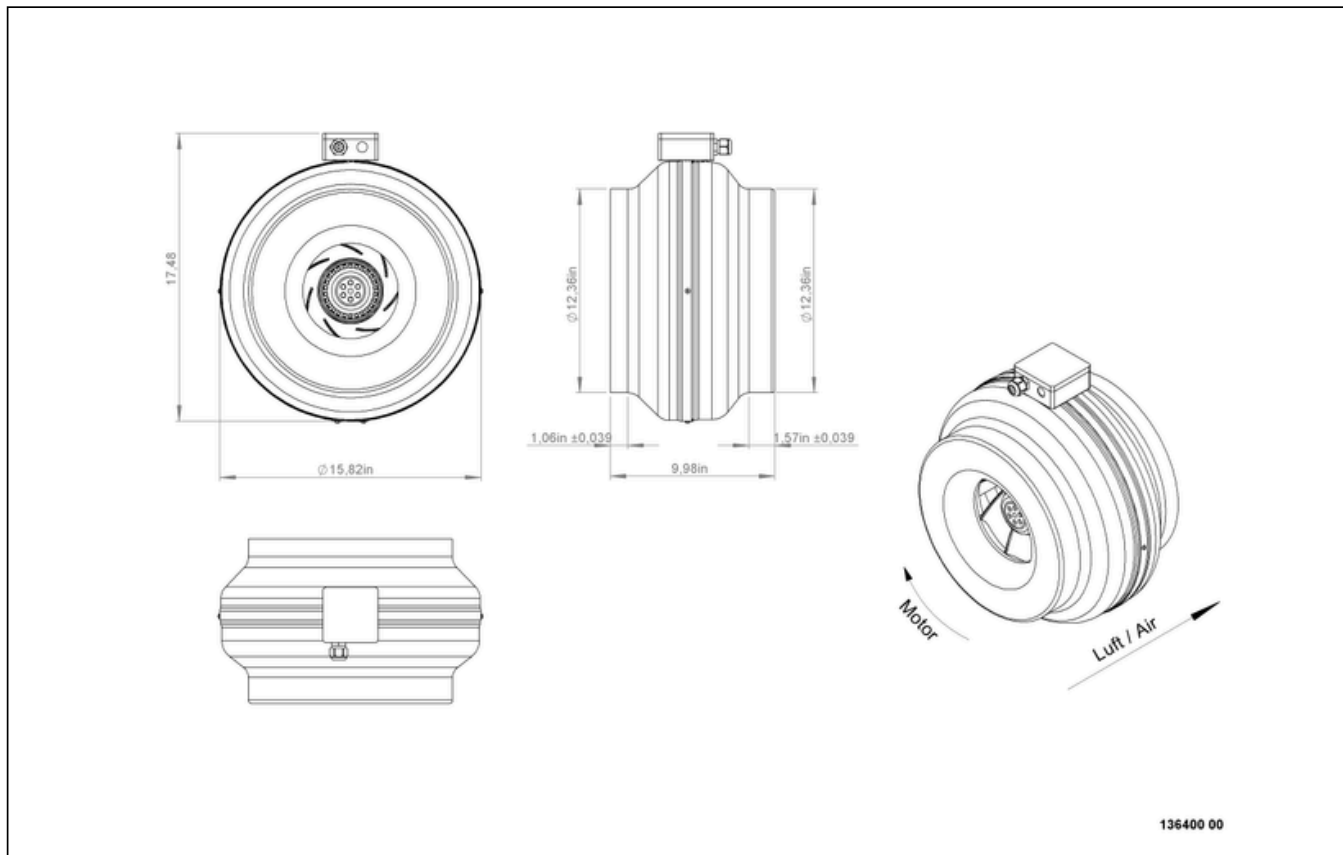
# RS 315 10

136400



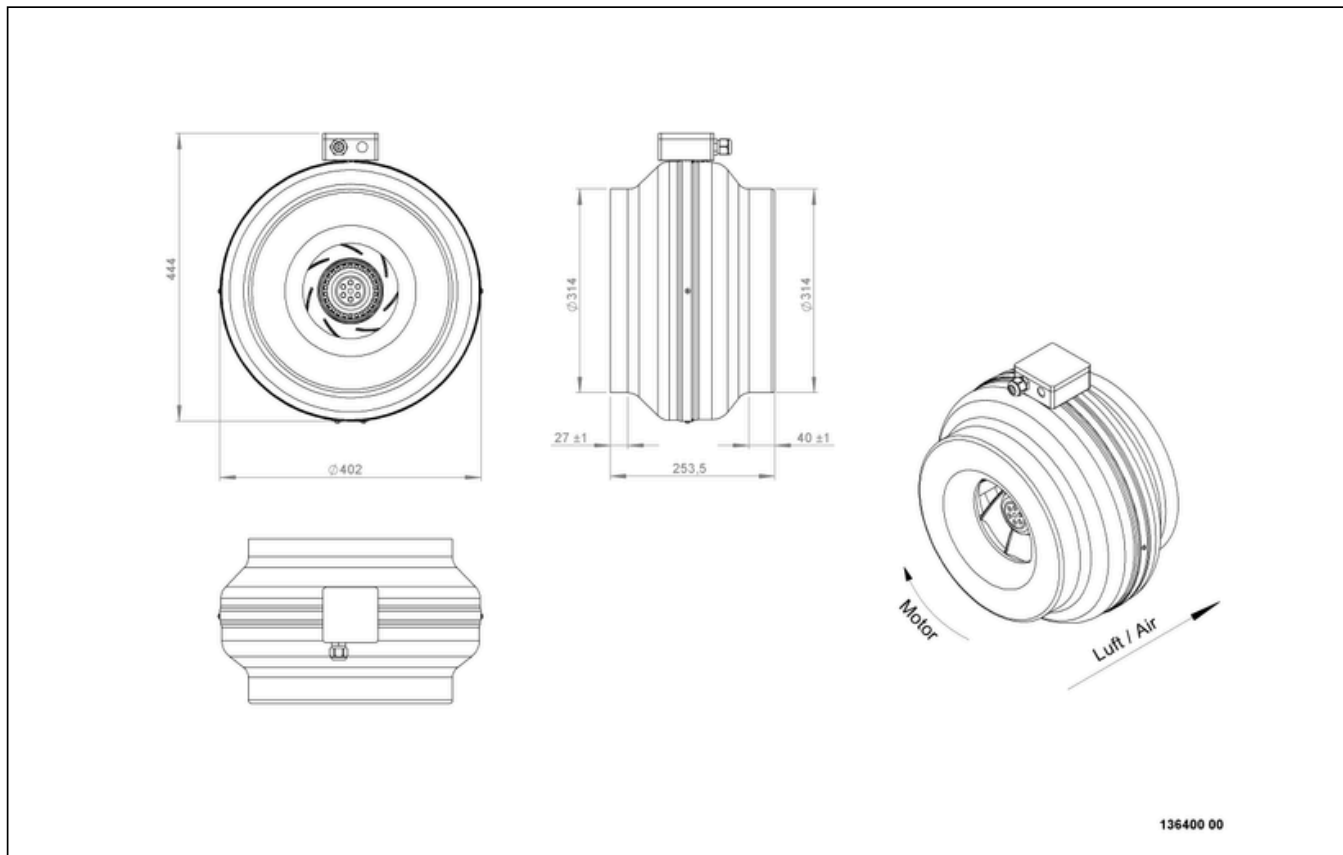
# RS 315 10

136400



# RS 315 10

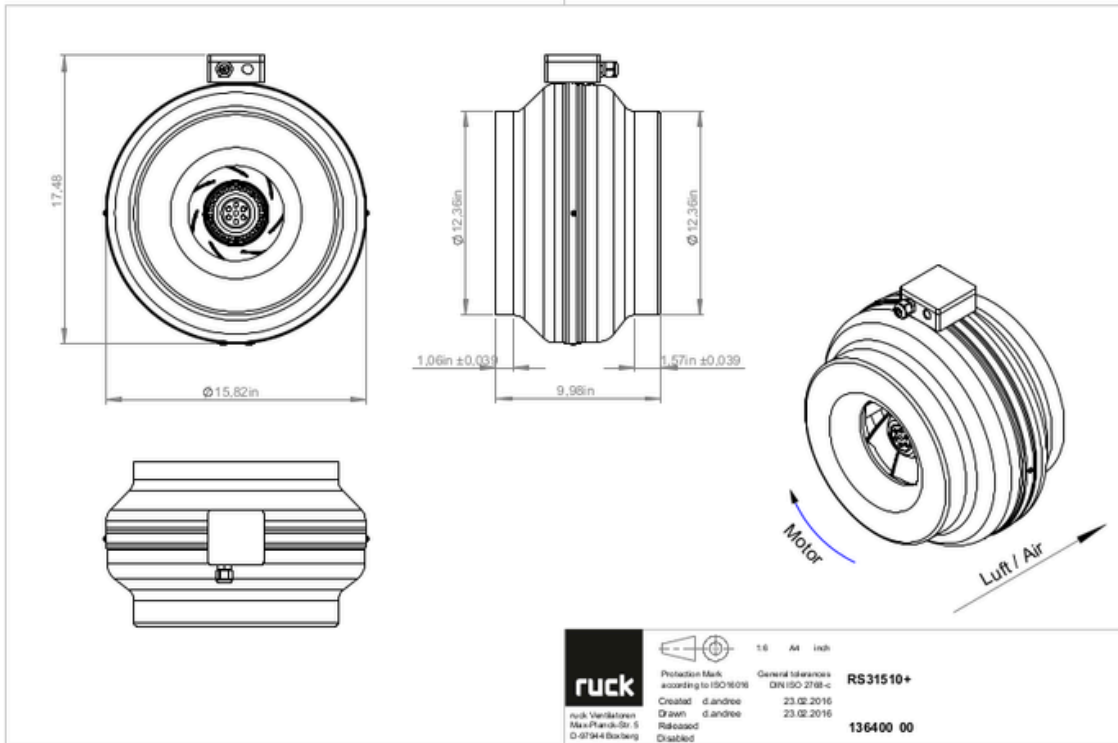
136400



# RS 315 10

136400

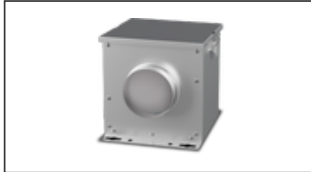
**ruck**





## MECHANICAL ACCESSORIES

**FV 315 | 112834**



- Air filter box with mat filter ISO Coarse 45 % (G3)
- Toggle-type fastener

**FT 315 | 112846**



- Air filter box for pocket filter
- Toggle-type fastener
- Galvanized steel sheet housing
- Without filter

**FTW 315 | 112855**



- Air filter box with pocket filter M5
- Integrated warm water heating coil
- Galvanized steel sheet housing
- Toggle-type fastener

**RSK 315 | 102664**



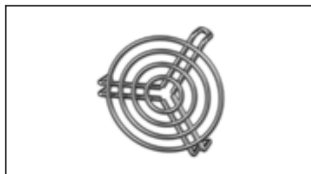
- Back draught shutter for tube fitting
- Galvanized steel sheet housing
- Aluminum flaps

**MRS 2 | 110095**



- Mounting bracket
- Galvanized steel sheet
- Includes: Mounting bracket and 2 Phillips screws (6 x 45 mm), 2 dowels (8 x 40 mm)

**SG 315 01 | 102900**



- Protection grille for tube connection
- Galvanized wire

**SDF 315 | 102706**



- Flexible tube silencer
- Galvanized steel sheet
- Sound insulation packing 50 mm

**SDS 315 | 102723**



- Rigid tube silencer
- Galvanized steel sheet
- Sound insulation packing 50 mm (mineral wool)

**RSK 315D | 113489**



- Back draught shutter for tube fitting
- Galvanized steel sheet housing
- Aluminum flaps
- Integrated gasket

**VM 315 | 102652**



- Fast clamps for sound decoupling and sealing
- Galvanized steel sheet, 5 mm
- Neopren gasket
- 1 Pack = 2 pieces



## ELECTRICAL ACCESSORIES

GS 01 | 102787



- Isolator switch
- $U_{max} = 400 \text{ V}$ , 50/60 Hz
- Switching capacity 400 V 3~ = 5,5 kW
- $I_{max} = 16 \text{ A}$

MTY 1 | 103428



- Electronic controller
- Stepless
- 230 V ~, 50 Hz
- Max. ambient temperature 35 °C
- $I_{max} = 1 \text{ A}$
- Surface and flush mounting

ETY 15 | 115891



- Electronic controller
- Stepless speed control
- 230 V ~, 50 Hz, 2,5 A
- Max. ambient temperature 35 °C

TES 0145 | 111858



- Step transformer
- 230 V ~, 50/60 Hz

TEE 015 | 115893



- 5-step transformer
- 230 V ~, 50/60 Hz

