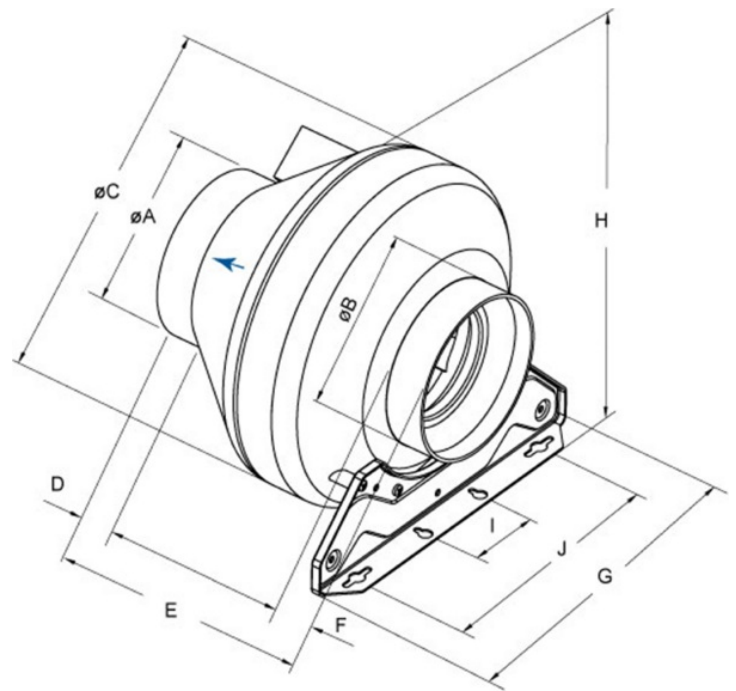




## Technical parameters

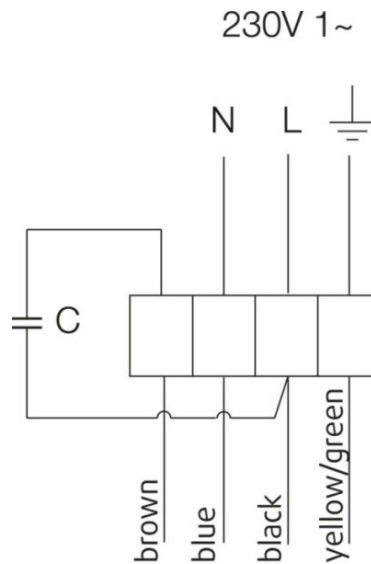
Nominal data	
Voltage (nominal)	230 V
Frequency	50 Hz
Phases	1~
Input power	109 W
Input current	0.48 A
Impeller speed	2,527 rpm
Air flow	max 720 m <sup>3</sup> /h
Capacitance of capacitor	3 µF
Temperature of transported air	max 70 °C
Max temperature of transported air, when speed controlled	70 °C
Sound data	
Sound pressure level at 3m (20m <sup>2</sup> Sabin)	45 dB(A)
Protection/Classification	
Enclosure class, motor	IP44
Insulation class	F
Data according to ErP	
Energy class, Basic unit	E
Energy class, Local demand	C
ErP ready	ErP 2016; ErP 2018
Dimensions and weights	
Duct dimension; Circular, inlet	150 mm
Duct dimension; Circular, outlet	150 mm
Weight	3.2 kg
Others	
Duct connection type	Circular
Motor type	AC

## Dimension

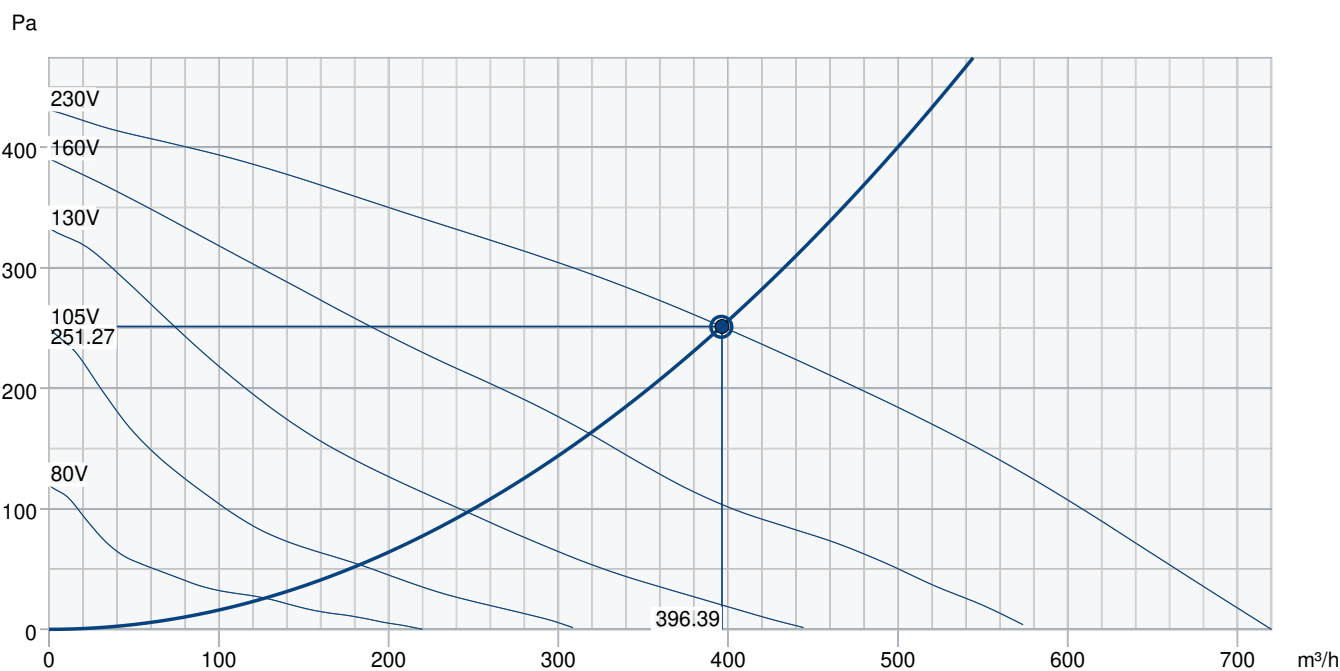


	øA	øB	øC	D	E	F	G	H	I	J
RVK 150	149	149	341	30	230	30	272	360	60	200

## Wiring



## Performance curve



### Hydraulic data

Required air flow	396 m³/h
Required static pressure	251 Pa
Working air flow	396 m³/h
Working static pressure	251 Pa
Air density	1.204 kg/m³
Power	106.7 W
Fan control - RPM	2,552 rpm
Current	0.50 A
SFP	0.969 kW/m³/s
Control voltage	230.0 V
Supply voltage	230 V

Sound power level		63	125	250	500	1k	2k	4k	8k	Total
Inlet	dB(A)	45	61	63	63	63	59	54	46	69
Outlet	dB(A)	48	61	63	61	63	58	52	44	68
Surrounding	dB(A)	12	20	30	46	49	46	37	25	52
Sound pressure level at 3m (20m² Sabine)	dB(A)	-	-	-	-	-	-	-	-	45
Sound pressure level at 3m free field	dB(A)	-	-	-	-	-	-	-	-	31

### Accessories

## Accessories

Frequency converter FRQ5SE-6A (37421)

REE 1 Speed control (5314)

REV-3POL/03-7,5kW R/Y (33978)

Frequency converter FRQSE-6A (37419)

CB 150-2,1 230V/1 Duct heater (5379)

CB 150-5,0 400V/2 Duct heater (5381)

CBMF 150-2,1 230V/1 Duct heater (12243)

FGR 150 Filter cassette (1807)

LDC 150-600 Silencer (5199)

VK-15 Louvre shutter (87679)

RE 1,5 Speed control (5000)

REU 1.5 Speed control (5004)

SG 150 Protection guard (5555)

CB 150-1,2 230V/1 Duct heater (5378)

CB 150-2,7 230V/1 Duct heater (5380)

CBM 150-2,1 230V/1 Duct heater (5481)

FFR 150 Filter cassette (1769)

FK 150 Fast clamp (1609)

RSK-150 Back draft damper (5599)

## Documents

MANUAL\_RVK\_EN\_003.PDF

rvk160\_kpl.dxf

EU DECLARATION OF CONFORMITY\_RVK\_EN\_005.PDF

PP compound (30% glass fibre content).pdf