

Axial Jet fans to induce air movement in enclosed car parking, tunnels and large spaces. Suitable for ventilation only.
TJFT series: reversible.
TJFU series: unidirection.

Description

Diameters from:
TJFT series: 315 to 630mm, fully reversible.
TJFU series: 315 to 400mm, unidirection.
Impeller is cast aluminum alloy in accordance with EN 1706, and balanced in accordance with ISO 14694: G 6.3.
Fan duct and 2 mounting feet are steel in accordance with EN 10130-99, and hot dip galvanized in accordance with EN 1461: 1999.
Fan external electrical terminal box.
Two circular sound attenuators in galvanized sheet steel, with flared inlet and acoustic media.
Supplied with inlet and outlet steel guard.
Impeller with 6 (TJFT) or 7 (TJFU) blades.

Motors

TJFT series: IEC from 80 to 160, 3 phase /380-415V / 50Hz, IP55, Class F.
TJFU series: IEC from 80 to 90, 3 phase /380-415V /50Hz, IP55, Class F.
Two speed 2/4 pole Dalhander winding.
Ambient temperature: -20°C to +40°C.

On request

Single speed 2 pole motor.
Inlet guard and steel discharge deflector for unidirection airflow.
Inlet and outlet steel deflector for reversible airflow.
Factory fitted IP65 isolator in place of electrical terminal box. Isolator also available as an accessory for use with standard terminal box fan.
External painting to RAL colour.

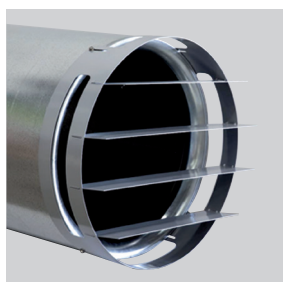
Specific applications



Tunnels



Two protection guards fitted as standard.



Optional deflector on outlet for uni direction, or inlet and outlet for reversible.



External terminal box for ease of connection.



Optional isolator Electrical isolator fitted to fan for security or as an accessory.

REFERENCE

T	J	F	T	/	2	-	4	0	0	C/I	1,5 kW	400 V	50 Hz
1					2		3			4	5	6	7

- 1 - Series: TJFT reversible, TJFU unidirection, for ventilation only.
- 2 - Motor speed (poles).
- 3 - Nominal diameter.
- 4 - C = terminal box (standard). I = isolator (optional).
- 5 - Motor power in kW.
- 6 - Nominal electrical supply.
- 7 - Frequency (Hz).

TECHNICAL CHARACTERISTICS

Before installation check that the product electrical characteristics listed on the data plate label (voltage, power, frequency, etc.) match those of the intended electrical supply.

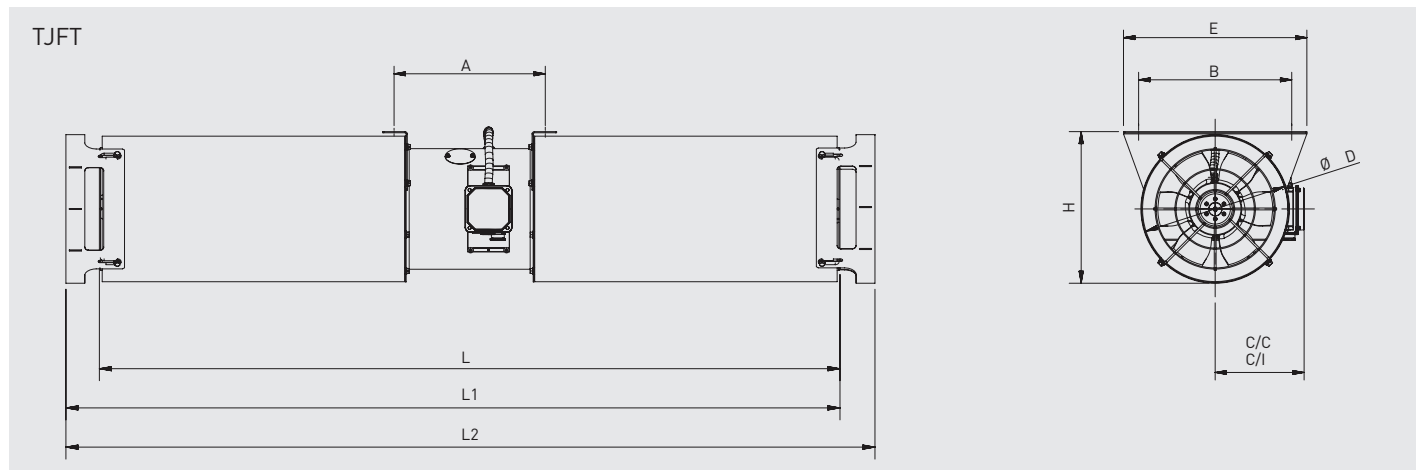
Model	Speed (rpm)	Thrust (N)	Airflow (m³/h)	Air velocity (m/s)	Motor power* (kW)	Maximum absorbed current (A)	Sound pressure level** (LpA)		Weight (kg)
							Form A***	Form B***	
TJFT REVERSIBLE - 1 speed 2 POLE									
TJFT/2-315-CN	2790	24	4.500	16	0,75	1,6	64	64	57
TJFT/2-355-CN	2810	40	6.500	18	1,1	2,3	67	66	76
TJFT/2-400-CN	2870	60	9.000	20	1,5	4,2	71	69	89
TJFT/2-450-C	2840	85	12.100	21	2,2	4,5	75	72	133
TJFT/2-500-C	2890	144	17.500	25	4	7,5	78	75	165
TJFT/2-560-C	2925	235	25.000	28	7,5	13,6	82	78	220
TJFT/2-630-C	2945	387	36.100	33	15	27	87	82	290
TJFT REVERSIBLE - 2 speed 2/4 POLE									
TJFT/2/4-315-CN	2820/1400	24	4.500	16	0,8/0,2	1,9/0,6	64/49	64/49	57
TJFT/2/4-355-CN	2810/1390	40	6.500	18	1,1/0,25	2,4/0,75	67/52	66/51	76
TJFT/2/4-400-CN	2900/1435	60	9.000	20	1,5/0,37	4,2/1,3	71/56	69/54	89
TJFT/2/4-450-C	2845/1420	85	12.100	21	2,2/0,5	4,6/1,5	75/60	72/57	134
TJFT/2/4-500-C	2890/1440	144	17.500	25	4,4/1,1	8,6/2,8	78/63	75/60	166
TJFT/2/4-560-C	2930/1470	235	25.000	28	8/2	15,3/4,8	82/67	78/63	223
TJFT/2/4-630-C	2950/1470	387	36.100	33	16/4	30,5/9,6	87/72	82/67	311
TJFU UNIDIRECTIONAL - 1 speed 2 POLE									
TJFU/2-315-BC	2790	25	4.600	16	0,75	1,6	-	62	56
TJFU/2-355-BC	2810	43	6.800	19	1,1	2,3	-	66	75
TJFU/2-400-BC	2870	68	9.700	21	1,5	3	-	70	88
TJFU UNIDIRECTIONAL - 2 speed 2/4 POLE									
TJFU/2/4-315-BC	2820/1400	25	4.600	16	0,8/0,2	1,9/0,6	-	62/46	56
TJFU/2/4-355-BC	2810/1390	43	6.800	19	1,1/0,25	2,4/0,75	-	66/49	75
TJFU/2/4-400-BC	2900/1435	68	9.700	21	1,5/0,37	3,5/1,3	-	70/55	88

* May depend on motor used.

** Sound pressure at 3m hemispherical propagation, in free field conditions, for comparison.

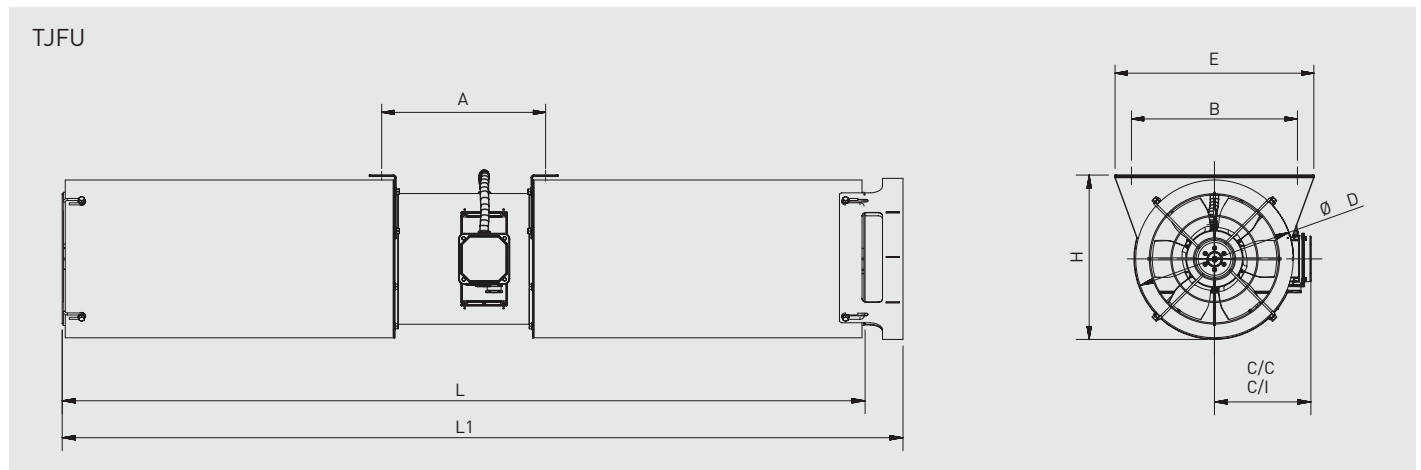
*** TJFT series Form A: air over motor > impeller, Form B air through impeller > motor (unidirection). TJFU series: Form B only.

DIMENSIONS (mm)



L: standard with guards, no deflector. L1: for unidirection with 1 deflector. L2: for reversible with 2 deflectors. C/C: version with terminal box (standard). C/I: version with isolator (optional).

Model	A	B	C/C	C/I	D	E	H	L	L1	L2
315	310	405	236	279	385	485	397	1754	1810	1967
355	310	445	259	302	425	525	437	1754	1810	1967
400	310	506	283	326	486	586	498	1754	1810	1967
450	539	556	313,5	362,5	536	636	548	2499	2055	2712
500	549	620	343,5	392,5	600	700	612	2499	2055	2712
560	669	680	376	425	660	760	672	3019	3072	3232
630	769	750	422	480	730	830	742	3119	3175	3332



L: standard with guards, no deflector. L1: for unidirection with 1 deflector. C/C: version with terminal box (standard). C/I: version with isolator (optional).

Model	A	B	C/C	C/I	D	E	H	L	L1
315	310	405	236	279	385	485	397	1754	1810
355	310	445	259	302	425	525	437	1754	1810
400	310	506	283	326	486	586	498	1754	1810

ACOUSTIC CHARACTERISTICS

Sound power levels LwA ref. 1pW tested in accordance with ISO 13347:2004.

TJFT (2 pole)

Form A	63	125	250	500	1000	2000	4000	8000	LwA
315	58	67	77	78	71	68	64	56	81
355	61	70	81	80	75	73	70	47	85
400	64	73	85	82	80	78	75	67	88
450	68	76	89	84	84	83	80	73	92
500	71	79	93	86	88	87	84	78	96
560	74	82	97	89	92	92	89	83	100
630	77	85	101	91	96	97	94	88	104

TJFT (4 pole)

Form A	63	125	250	500	1000	2000	4000	8000	LwA
315	43	52	62	63	56	53	49	41	66
355	46	55	66	65	60	58	54	32	70
400	49	58	70	67	65	63	60	52	73
450	53	61	74	69	69	68	65	58	77
500	56	64	78	71	73	72	69	63	81
560	59	67	82	73	77	77	74	68	85
630	62	70	86	76	81	82	79	73	89

Form B	63	125	250	500	1000	2000	4000	8000	LwA
315	56	65	77	78	70	68	65	57	81
355	60	68	79	80	74	73	69	48	84
400	64	72	82	81	78	77	73	67	87
450	68	75	85	83	81	82	78	72	89
500	71	78	87	84	85	86	82	76	92
560	75	81	90	85	88	90	86	81	96
630	79	84	92	87	92	94	90	86	99

Form B	63	125	250	500	1000	2000	4000	8000	LwA
315	41	50	62	63	55	53	49	42	66
355	45	53	64	65	59	58	54	33	69
400	49	57	67	66	63	62	58	52	72
450	53	60	70	68	66	67	63	57	74
500	56	63	72	69	70	71	67	61	77
560	60	66	75	70	73	75	71	66	81
630	63	69	77	71	77	79	75	71	84

TJFU (2 pole)

Form B	63	125	250	500	1000	2000	4000	8000	LwA
315	61	63	71	72	75	72	66	61	79
355	64	66	75	75	78	76	70	64	83
400	67	71	76	77	82	81	76	70	86

TJFU (4 pole)

Form B	63	125	250	500	1000	2000	4000	8000	LwA
315	40	56	54	58	56	50	45	38	63
355	44	59	58	60	61	54	49	42	66
400	46	63	62	69	62	60	55	46	72