
DKEX Centrifugal Explosion proof fan
KTEX Inline ducted Explosion proof fan



Table of contents

1	Introduction	1	14	Wiring diagrams.....	20
1.1	Product description	1	14.1	Wiring diagram for motor protection for ATEX motors	21
1.2	Intended use	1	14.2	Wiring diagram for speed controller for ATEX motors	22
1.3	Document description.....	1	15	Accessory overview.....	23
1.4	Product overview DKEX	1	15.1	Accessory overview DKEX	23
1.5	Product overview KTEX	2	15.2	Accessory overview KTEX.....	24
1.6	Name plate	3	16	EU Declaration of Conformity.....	25
1.6.1	Classification and Certification.....	3			
1.6.2	Type designation	4			
1.7	Product liability.....	4			
2	Safety	4			
2.1	Safety definitions	4			
2.2	Safety instructions	4			
2.3	Personal protective equipment	5			
3	Transportation and storage	5			
4	Installation.....	6			
4.1	To do before the installation of the product.....	6			
4.2	To install the product	6			
4.2.1	To install the KTEX fan.....	7			
4.3	To connect the ducts to the DKEX fan	7			
4.4	To connect the ducts to the KTEX fan.....	7			
5	Electrical connection.....	9			
5.1	To do before the electrical connection	9			
5.2	To connect the product to the power supply	9			
6	Commissioning	9			
6.1	To do before the commissioning.....	9			
6.2	To do the commissioning.....	9			
7	Operation.....	10			
7.1	To start the product	10			
7.2	To stop the product	10			
7.2.1	To stop the product in an emergency.....	10			
8	Maintenance.....	11			
8.1	Maintenance schedule.....	11			
8.2	To clean the product.....	11			
8.3	Spare parts	11			
9	Troubleshooting.....	12			
10	Disposal.....	13			
10.1	To disassemble and discard the parts of the product.....	13			
11	Warranty	14			
12	Technical data	15			
12.1	DKEX	15			
12.2	KTEX.....	16			
13	Product dimensions	18			
13.1	Product dimensions DKEX	18			
13.2	Product dimensions KTEX.....	19			

1 Introduction

1.1 Product description

The DKEX is a explosion proof fan with an casing made from galvanized steel and intake nozzle from copper.

The KTEX is a explosion proof fan with an casing made from galvanized steel and brass inlet cone.

The product is not supplied with a safety switch, motor protection, external speed control or FK fast clamps, these parts are available and recommended as accessories.

1.2 Intended use

DKEX fans, KTEX fans are used for transport of air or explosive atmospheres with a maximum temperature of 60 °C and 95% air humidity.

The product is intended for installation in indoor environments. DKEX fan, KTEX fan are applicable for ambient temperatures of between -20 °C and +40 °C.

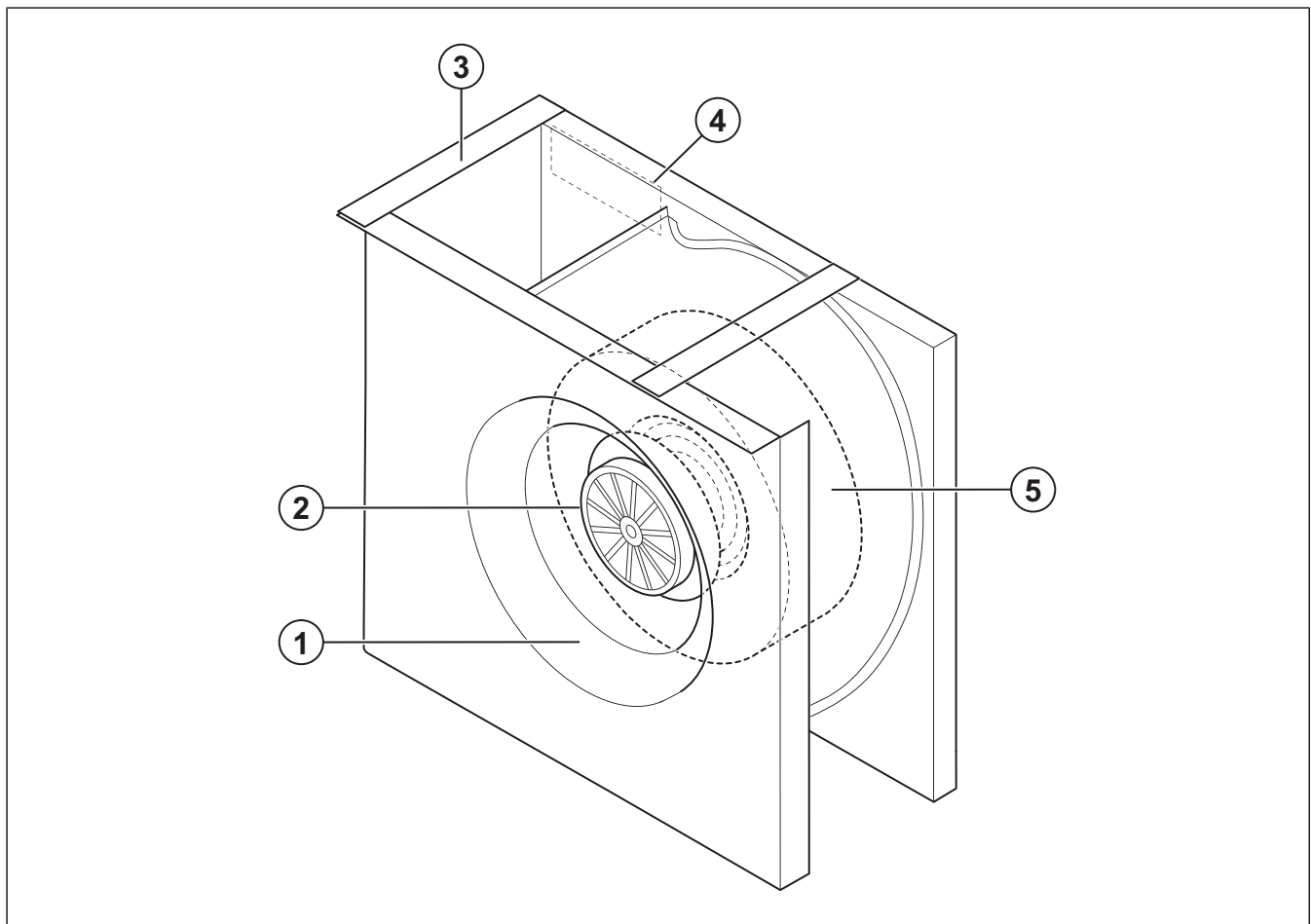
The product is applicable for transportation of air that contains explosive or flammable media. The product is applicable for locations where there is a risk of explosion.

1.3 Document description

This document contains instructions for installation, operation and maintenance of the product. The procedures must be done by approved personnel only.

Speak to Systemair for more information on how to install the product in different installation locations.

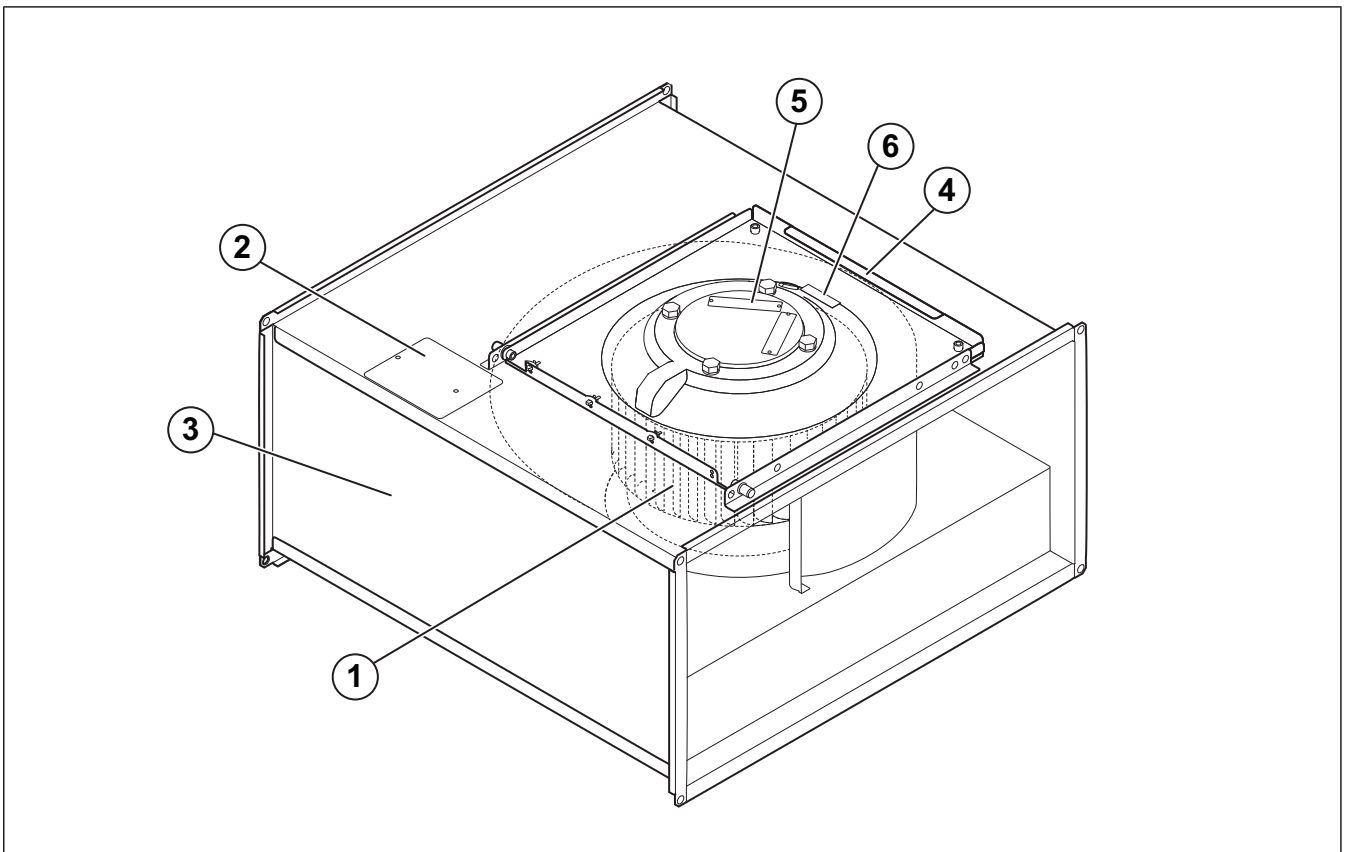
1.4 Product overview DKEX



1. Duct connection inlet side
2. Motor
3. Duct connection outlet side

4. Name plate
5. Fan impeller (inside casing)

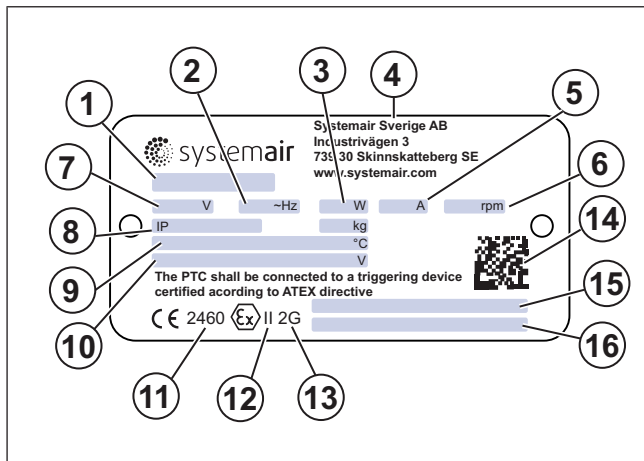
1.5 Product overview KTEX



1. Fan impeller
2. Connection box
3. Casing

4. Motor hatch
5. Name plate
6. Rotation direction arrow

1.6 Name plate



1. Type designation: Product name, dimension and motor type. Refer to [1.6.2 Type designation](#).
2. Frequency, Hz
3. Input power, W
4. Country of production
5. Current, A

6. Revolutions per minute
7. Voltage, V
8. IP class, enclosure class
9. Ambient temperature
10. Speed controllable
11. Identification number of Notified Body
12. Equipment group II is intended for use in areas with explosive gas, except mining gas.
13. Category 2, zone 1, G = potentially explosive gas mixture can be occasionally expected to during normal operation.
14. Scannable code ¹
15. Explosion proof classification. Refer to [1.6.1 Classification and Certification](#)
16. Certification number. Refer to [1.6.1 Classification and Certification](#)

Note:

The data on the name plate applies to “standard air” that is specified in the standard ISO5801.

1.6.1 Classification and Certification

Product name	Certification	Classification
DKEX 225-355	Presafe 17 ATEX 9970 X	Ex eb IIB + H ₂ T3 Gb
KTEX 50-30-70-40		

Ex eb h IIB + H₂ T3 Gb

A
B
C
D
E

- A. Explosion-protected material
- B. Type of protection, e = increased protection against sparks
- C. Apparatus group IIB (also applies to IIA)+H₂ also applies to hydrogen.
- D. Temperature class T3, maximum surface temperature for fan housing and motor is 200 °C, can be used for gas mixtures with ignition temperature exceeding 200 °C.
- E. EPL, Equipment Protection Level.

¹ Use a mobile device to scan the scannable code

1.6.2 Type designation

Product name	DKEX	KTEX
Dimension	225	50-25
	250	50-30
	280	60-30
	315	60-35
	355	70-40
Motor type	3-phase, 230 V	3-phase, 230 V
	3-phase, 380 V	3-phase, 380 V
	3-phase, 400 V	3-phase, 400 V
	3-phase, 415 V	3-phase, 415 V

1.7 Product liability

Systemair is not liable for damages that the product causes in these conditions:

- The product is incorrectly installed, operated or maintained.
- The product is used together with accessories that are not original accessories from Systemair.
- The product is used without motor protection.

2 Safety

2.1 Safety definitions

Warnings, cautions and notes are used to point out specially important parts of the manual.



Warning

If you do not obey these instructions, there is a risk of death or injury.



Caution

If you do not obey these instructions, there is a risk of damage to the product, other materials or the adjacent area.

Note:

Information that is necessary in a given situation.

2.2 Safety instructions



Warning

Read the warning instructions that follow before you do work on the product.

- Read this manual and make sure that you understand the instructions before you do work on the product.
- Obey local conditions and laws.
- The ventilation contractor and the operator are responsible for correct installation and intended use.
- Keep this manual at the location of the product.
- Do not install or operate the product if it is defective.
- Do not remove or disconnect safety devices.
- Make sure that you can read all warning signs and labels on the product when it is installed. Replace labels that have damage.
- Only permit approved personnel to work on the product and to be in the adjacent area during all work on the product.
- Make sure that you know how to stop the product quickly in an emergency.
- Use applicable safety devices and personal protective equipment during all work on the product.
- Before you do work on the product, stop the product and wait until the fan impeller stops. Make sure that there is no voltage on the motor terminals.
- If the maintenance is not correctly and regularly done, there is risk of injury and damage to the product.
- Only do the maintenance as given in this manual. Speak to Systemair technical support if other servicing is necessary.
- Sound levels exceeding 70 dB(A) may occur depending on model and size. Visit www.systemair.com for more detailed information about your product.
- The product is not to be used by persons, including children, with reduced physical, sensory or mental

capabilities, or lack of experience and knowledge, unless they have been given supervision or instruction.

- Do not allow children to play with the product.

2.3 Personal protective equipment

Use personal protective equipment during all work on the product.

- Approved eye protection
- Approved protective helmet
- Approved hearing protection
- Approved protective gloves
- Approved protective shoes
- Approved work clothing

3 Transportation and storage



Warning

Make sure that the product does not become damaged or wet during transportation. A damaged or wet product can cause fire or electric shock.

- Before you move the product to the installation location, examine the packaging for damages.
- Make sure that the impeller do not touch parts of the fan casing.
- Do not move the product by the cables, terminal box, fan impeller, protection grille or inlet cone.
- If lifting equipment is used, make sure that the lifting equipment can hold the weight of the product. Refer to the name plate for information. Do not lift the product by the packaging.



Warning

Do not walk below a lifted product.

- Keep the correct side of the packaging up during transportation. Refer to the arrows on the packaging.
- Load and unload the product carefully.
- Keep the product in a dry and clean location during storage. Make sure that the ambient temperature during storage is between -10 and $+30$ °C. A stable ambient temperature prevents damage from condensation.
- Keep the product in storage for maximum 1 year.

4 Installation



Warning

It is not permitted to install components with unprotected aluminium or steel surface before or after the product or in the direct air stream. To prevent an aluminothermic reaction, a surface protection is necessary that meet the crosscut test parameter of 2 / EN ISO 2409.



Warning

Rust particles must not be present in the air stream

Note:

Duct installations must be carried out so that enclosure class IP 20 (mesh width less than 12 mm) is fulfilled on the inlet and outlet side. Parts that assure the IP classification must be correctly designed with regard to strength and material.

Note:

All fans can be installed in any angle.

4.1 To do before the installation of the product

- Make sure that you have the necessary installation accessories:
 - Refer to [15 Accessory overview](#) for an overview of the accessories.
 - To decrease vibrations transmitted from the product to the duct system, Systemair recommends to install vibration dampers, fast clamps or flexible connections.
 - If you install the product with free suction or free discharge, it is necessary to install a protection grille. Make sure that the protection fulfils minimum IP 20 according to the standard EN 60529.
- Consider the ambient temperature, humidity, dirt in the environment and the air's corrosive properties.
- Use installation material with fire resistance rating for the installation location.
- Examine the packaging for transportation damage and remove the packaging from the product carefully.
- Examine the product and all components for damage.
- Make sure that the motor effect and the fan performance agrees with the expectations at the installation location.
- Make sure that the information on the name plate and the motor name plate agrees with the operation conditions.
- Install the product in a location where there is space for commissioning, troubleshooting and maintenance.
- Make sure that the installation location is clean and dry, for full safety during electrical work.
- Make sure that the installation surface has sufficient capacity to hold the weight of the product.
- Refer to the airflow direction arrows on the name plate or on the product to install the product in the correct position.
- Make sure that all cable glands are tight against the cables to prevent leaks.

4.2 To install the product

Note:

All fans can be installed in any angle.

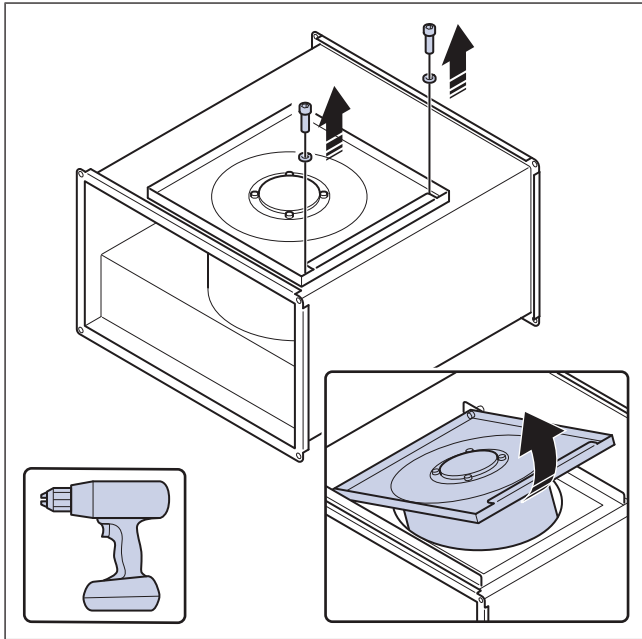
- 1 Install the product with applicable installation equipment, such as pendulum bars or wires from the ceiling, or applicable wall or floor mounting brackets.

Pendulum bars, wires and nuts or other installation equipment are not supplied by Systemair.

- If the product is installed on the floor, add insulation below the product to prevent unwanted noise and vibrations.
- If the product is installed near a wall, keep a distance of minimum 400 mm from the product to the wall to prevent unwanted vibrations.

4.2.1 To install the KTEX fan

- 1 To open the service lid and access the motor or the connection box, remove the 2 screws on the top of the service lid.



4.3 To connect the ducts to the DKEX fan

Note:

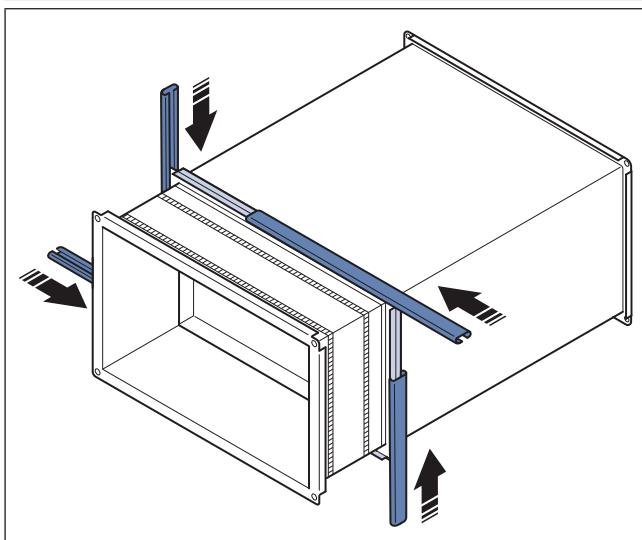
Systemair recommends to use flexible connections to attach the duct to the product. Flexible connections are available as accessories.

- 1 Install the flexible connection USE on the outlet. Use guide rails to attach the flexible connections to the duct. Guide rails are not supplied by Systemair.

Flexible connection USE is available as an accessory.

Note:

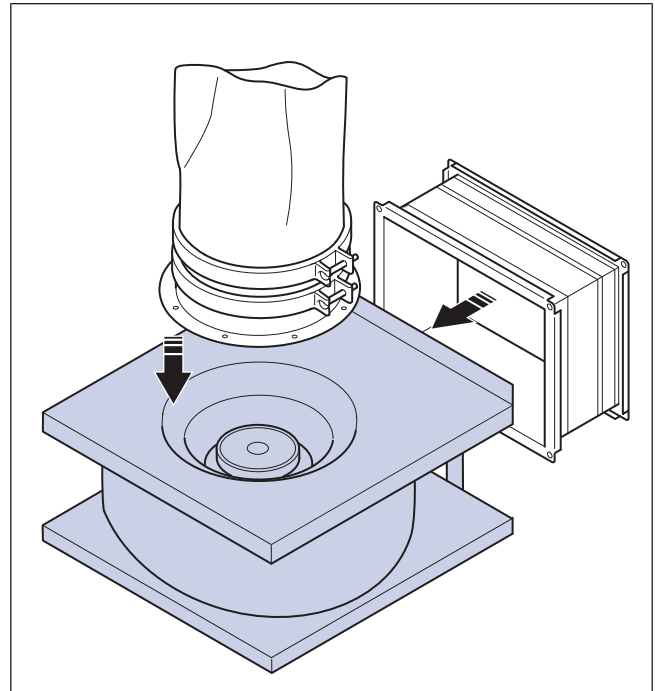
Installation example is only a guide for installation. The dimensioning of suspension devices must be carried by the installer and adapted to the prevailing conditions. Installation components mentioned in the text are accessories and not part of the ATEX certification.



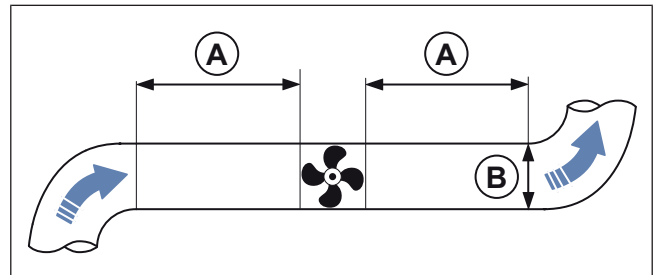
- 2 Install a circular duct on the inlet using flexible connection ISE. Fasten the flexible connection ISE to the fan casing using self-drilling screws.

Self-drilling screws are not supplied by Systemair.

Flexible connection ISE is available as an accessory.



- 3 If you install the product near a duct bend, do these steps to prevent vibrations, unwanted noise and decreased air pressure:
 - a. Measure the distance (A) between the product and the duct bend.
 - b. Make sure that the distance (A) is a minimum of 2.5 x the diameter (B) of the duct system. For circular ducts, (B) is the nominal diameter. For rectangular ducts, (B) is the hydraulic diameter.



4.4 To connect the ducts to the KTEX fan

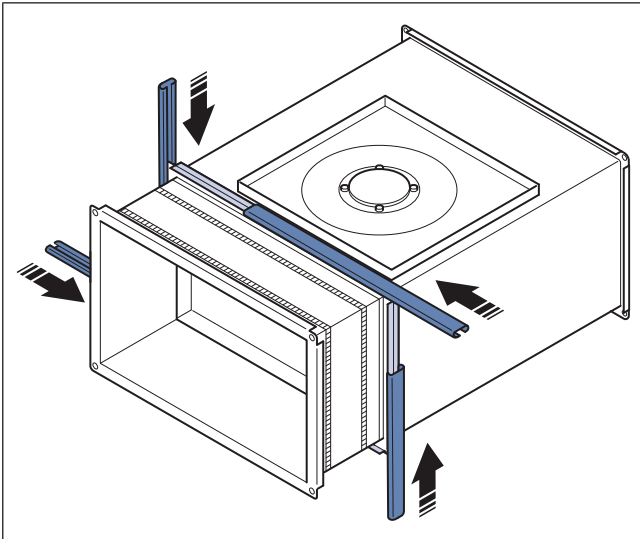
Note:

Systemair recommends to use flexible connections to attach the duct to the product. Flexible connections are available as accessories.

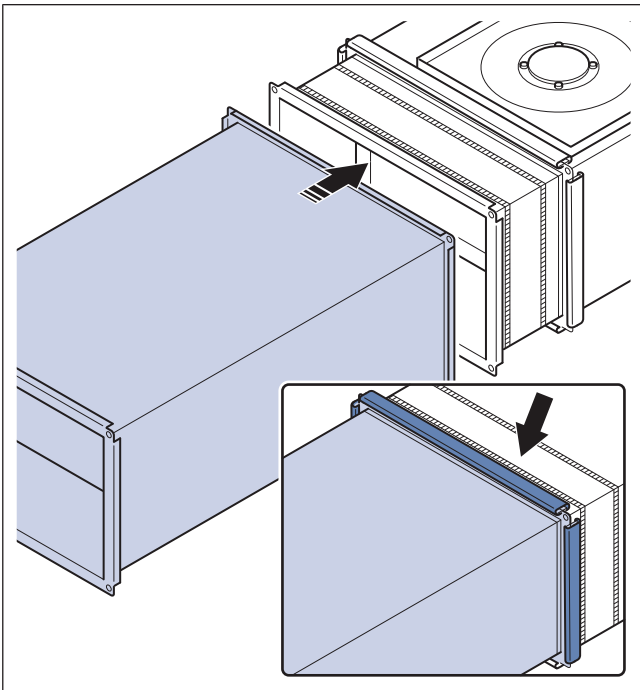
- 1 If applicable, put flexible connections on each side of the product and use guide rails to connect the product and the flexible connections. Guide rails are not supplied by Systemair.

Note:

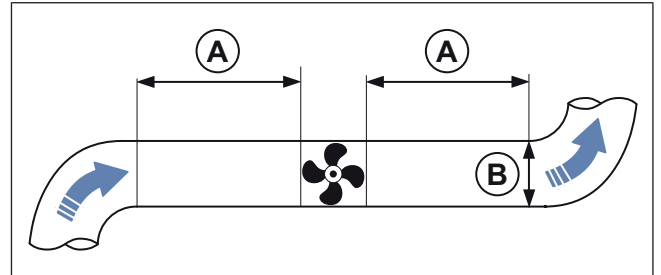
Installation example is only a guide for installation. The dimensioning of suspension devices must be carried by the installer and adapted to the prevailing conditions. Installation components mentioned in the text are accessories and not part of the ATEX certification.



- 2 Put the ducts on each side of the product and the attached flexible connections. Use guide rails to attach the flexible connections to the ducts.



- 3 If you install the product near a duct bend, do these steps to prevent vibrations, unwanted noise and decreased air pressure:
 - a. Measure the distance (A) between the product and the duct bend.
 - b. Make sure that the distance (A) is a minimum of 2.5 x the diameter (B) of the duct system. For circular ducts, (B) is the nominal diameter. For rectangular ducts, (B) is the hydraulic diameter.



5 Electrical connection

5.1 To do before the electrical connection

- Make sure that the electrical connection agrees with the product specification on the motor name plate.
- Make sure that the environment for electrical connection is clean and dry.
- Make sure that the wiring diagram that is included with the supply of the product agrees with the terminals in the connection box.

5.2 To connect the product to the power supply

- Complete the electrical connection for the motor. Refer to [14 Wiring diagrams](#).
- Make sure that the cross section of the protective earthing is equal to or larger than the cross section of the phase conductor.
- Install a circuit breaker in the permanent electrical installation, with a contact opening of a minimum 3 mm at each pole.
- If a residual current device (RCD) is installed, make sure that it is an all-current sensitive RCD.



Warning

Do not use VFD (Variable Frequency Drive) for speed control.

Note:

ATEX approved motor protection is required. Systemair recommend U-EK230E motor protection.

6 Commissioning



Caution

- If strong vibrations occur during commissioning, immediately increase or decrease the fan speed until the vibrations are decreased. Continuous strong vibrations can cause damage to components.
- Do not increase the fan speed to a higher rpm value than the maximum value that is given on the name plate.

The commissioning report is found at www.systemair.com.

6.1 To do before the commissioning

- Make sure that the installation and electrical connection are correctly done.
- Make sure that PTC resistors and monitoring units are professionally connected and fully functional.
- Verify that connection data corresponds with the data on the rating plate: Max. voltage +6%, -10%, according to IEC 38. Rated current/power must not be exceeded at rated voltage.
- Do not have lower static back pressure than the minimum, refer to tables in [12 Technical data](#).
- The voltage of controllable fans is permitted to vary between 15% and 100% of nominal voltage with a transformer and between 25% and 100% with a thyristor.
- Make sure that the motor protection function.
- Make sure that the impeller do not hit parts of the fan housing (min. 3 mm).
- Visually examine the product and accessories for damage.
- Make sure that the safety devices are correctly installed.
- Make sure that there are no blockages in the air intake and the air outlet.
- Make sure that installation material and unwanted objects are removed from the product and the ducts.

6.2 To do the commissioning

- 1 Set the installed safety switch in the OFF position.
- 2 If it is possible to get access to the fan impeller, do the steps that follows:
 - a. If it is necessary, remove parts of the installation.
 - b. Turn the fan impeller by hand and make sure that it turn easily.
 - c. Record the result in the commissioning report.
- 3 Make sure to turn the product in a direction that agrees with the related arrow on the product.
 - a. Record the result in the commissioning report.
- 4 If you removed parts of the installation to get access to the fan impeller, install the removed parts again.
- 5 Set the installed safety switch in the ON position.
- 6 Start the product.
- 7 Set the minimum operation speed.

- 8 Increase the operation speed gradually to the maximum operation speed.
 - a. Examine the vibrations in the casing and the bearing areas at all speed levels.
 - b. Make sure that the vibrations agree with the specifications in ISO 14694.
 - c. Make sure that none of the speed levels cause unwanted noise in the product.
 - d. Record the result in the commissioning report.
- 9 Record the necessary data in the commissioning report.

7 Operation

7.1 To start the product

- 1 Make sure that the speed controller is set to position "0".
- 2 Adjust the fan speed with five fixed steps on the speed controller.



Warning

Do not use VFD (Variable Frequency Drive) for speed control.

7.2 To stop the product

- 1 Set the installed speed controller in the OFF position. Refer to the instruction manual for the installed speed controller.
- 2 Set the installed safety switch in the OFF position.

7.2.1 To stop the product in an emergency

- Set the installed safety switch in the OFF position.

8 Maintenance



Warning

Set the installed safety switch in the OFF position before you do the maintenance unless the instructions tell you differently. Make sure that the safety switch is not accidentally set in the ON position.

8.1 Maintenance schedule

The intervals are calculated from continuous operation of the product.

Maintenance task	Usual operation conditions		Unusual operation conditions. ¹		
	Each 6 months	Each year	Each 3 months	Each 6 months	Each year
Visually examine the product and its components for damage, corrosion and dirt.		X		X	
Examine the fan impeller for damage and imbalance.		X		X	
Clean the product and the ventilation system.	X		X		
Do a check of all fasteners and make sure that they are fully tightened.		X			X
Make sure that the product and its components are correctly operated.	X			X	
Measure the power consumption and compare the result with the information on the name plate.		X		X	
If vibration dampers are installed, make sure that they operate correctly and examine them for damage and corrosion.		X			X
Make sure that the electrical protective equipment and the mechanical protective equipment operates correctly.		X			X
Make sure that you can read the name plates of the product.		X		X	
Examine all cable connections for damage. Make sure that the cable glands are tight against the cables.		X			X
If flexible connections are installed, examine them for damage.	X			X	

1. The unusual operation conditions are classified as follows: If a stable ambient temperature is higher than 30 °C or lower than -10° C, if the temperature changes are large or if very contaminated air is transported.

8.2 To clean the product



Caution

- Do not clean the product with a high-pressure washer.
- Do not clean the product with steel brushes or sharp objects.
- Do not bend the fan impeller blades.
- Be careful not to move the balance weights on the fan impeller.

- Remove dirt from the fan and the duct.
- If access to the fan impeller is possible, clean the fan impeller with a moist cloth or soft brush.

8.3 Spare parts

Note:

Repair or replacement of components is not permitted on DKEX, KTEX fans.

9 Troubleshooting

Note:

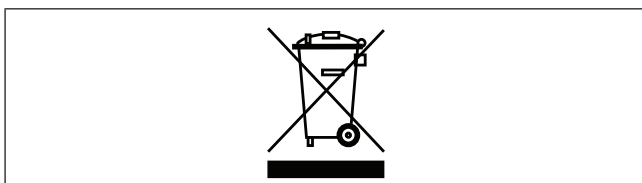
If you cannot find a solution to your problem in this section, speak to Systemair technical support.

Problem	Cause	Solution
The product does not operate smoothly.	The fan impeller is not correctly balanced.	Speak to Systemair technical support.
	There is dirt on the fan impeller.	Clean the fan impeller carefully. Refer to 8.2 To clean the product .
	The fan impeller has damages or deformations because the transported air contains aggressive media.	Speak to Systemair technical support.
	The fan impeller does not turn in the correct direction.	Make sure that the electrical connection is correctly done.
	The fan impeller has deformations because of too high temperatures.	<ul style="list-style-type: none"> • Make sure that the temperature of the transported air is not higher than the value on the name plate. • Replace the product.
	There are unusually strong vibrations in the product or the duct system.	Make sure that the product is correctly installed. Do a check of the duct system.
	The product is operated in a resonant frequency range.	Increase or decrease the fan speed until the product operates smoothly. Refer to 6 Commissioning .
The air output is not sufficient.	The fan impeller does not turn in the correct direction.	Make sure that the electrical connection is correctly done.
	The electrical connection is not correctly done.	Make sure that the electrical connection agrees with the wiring diagrams.
	The air pressure is too low because of incorrect installation.	Do the necessary changes in the duct system and installed components to increase the air pressure. Refer to 6 Commissioning .
	The airflow shutters are closed or not fully open.	Adjust the airflow shutters.
	There is blockage in the air inlet or the duct system.	Remove the blockage.
	The product is not applicable for the installation location.	Make sure that the product is applicable for the installation location.
There is unusual noise when the product starts or operates.	There is strain in the connections of the duct system.	Loosen the connections, align the parts of the duct system correctly and tighten the connections.

Problem	Cause	Solution
Thermal contacts, PTC or resistors are released.	The fan impeller does not turn in the correct direction.	Make sure that the electrical connection is correctly done.
	A phase loss occurred.	If the motor is a 3-phase motor, make sure that no phase is missing.
	The motor is overheated.	<ul style="list-style-type: none"> Do a check of the motor cooling impeller. If it is possible, measure the resistance to do a check of the motor winding.
	The capacitor is not connected or not correctly connected.	Connect the capacitor correctly. Refer to the included motor wiring diagram.
	There is blockage in the motor.	Speak to Systemair technical support.
The fan speed does not get the nominal value.	Defective motor winding.	If it is possible, measure the resistance to do a check of the motor winding.
	The speed control is not correctly set.	Set the speed control correctly.
	The fan impeller cannot turn freely because of mechanical blockage.	Remove the blockage.
	Phase loss occurs.	If the motor is a 3-phase motor, make sure that no phase is missing.
The motor does not rotate.	A component in the power supply is defective.	Do a check of the power supply. Replace defective components and connect the power supply again.
	The electrical connection is not correctly done.	Make sure that the electrical connection agrees with the wiring diagrams.
	The motor protection is released because the motor is overheated.	Let the motor become cool. Reset the motor protection. Find the cause of the overheated motor.
	A phase loss occurred.	If the motor is a 3-phase motor, make sure that no phase is missing.
The electronic components or the motor is overheated.	The motor is overloaded or the ambient temperature is too high.	Let the motor become cool. Reset the motor protection. Find the cause of the overheated motor.
	The motor is overloaded.	Make sure that the product is applicable for the installation location.
	The ambient temperature is too high.	Make sure that the product is applicable for the installation location.
	The cooling of the product is not sufficient.	Make sure that the space around the motor is sufficient to keep the temperature down.

10 Disposal

The product follows the WEEE directive. This symbol on the product or the packaging of the product shows that this product is not domestic waste. The product must be recycled at an approved disposal location for electrical and electronic equipment.



10.1 To disassemble and discard the parts of the product

- 1 Disconnect and disassemble the product in the opposite sequence of electrical connection and installation.
- 2 Recycle the product parts and the packaging at an applicable disposal location.
- 3 Obey the local and national requirements for disposal.

11 Warranty

For warranty claims, send a written maintenance plan and the commissioning report to Systemair. The warranty is only applicable for these conditions:

- The product is correctly installed and operated.
- Motor protection is used.
- The instructions in the data sheets are obeyed.
- Maintenance instructions are obeyed.
- A product that is not operated continuously is operated for a minimum of 1 hour each month.

12 Technical data

12.1 DKEX

Rated data								
Fan type	Voltage/Frequency	P (kW)	I ¹ A	rpm min-max	Isol. Class	Weight kg	Min. Flow m ³ /h	Max. Flow m ³ /h
DKEX 225-4	230V(Δ) 3~ 50 Hz	0.5	1.52	490-1470	F	13	200	1800
	380-400V(Y) 3~ 50Hz		0.88					
DKEX 250-4	230V(Δ) 3~ 50 Hz	0.9	3.1	460-1470	F	17	200	2600
	380-415V(Y) 3~ 50Hz		1.8					
DKEX 280-4	230V(Δ) 3~ 50 Hz	1.3	3.9	390-1475	F	24	200	3150
	380-415V(Y) 3~ 50Hz		2.25					
DKEX 315-4	230V(Δ) 3~ 50 Hz	2.1	6.8	555-1495	F	35.5	200	3850
	380-415V(Y) 3~ 50Hz		3.9					
DKEX 355-6	230V(Δ) 3~ 50 Hz	1.8	6.5	310-980	F	39	200	5300
	380-415V(Y) 3~ 50Hz		3.76					
KTEX 50-25-4	230V(Δ) 3~ 50Hz	0.5	1.52	500-1470	F	17	200	1800
	380-400V(Y) 3~ 50Hz		0.88					
KTEX 50-30-4	230V(Δ) 3~ 50Hz	0.9	3.1	470-1490	F	22.5	200	2560
	380-415V(Y) 3~ 50Hz		1.8					
KTEX 60-30-4	230V(Δ) 3~ 50 Hz	1.3	3.9	415-1450	F	30.5	200	3150
	380-415V(Y) 3~ 50Hz		2.25					
KTEX 60-35-4	230V(Δ) 3~ 50 Hz	2.1	6.8	590-1480	F	35.5	200	3750
	380-415V(Y) 3~ 50Hz		3.9					
KTEX 70-40-6	230V(Δ) 3~ 50 Hz	1.6	6.2	330-985	F	48	200	5100
	380-415V(Y) 3~ 50Hz		3.6					

1. The current may only exceed the rated currents on the rating plate by the ratio (%) given as long as the total power consumption does not exceed the rated power given.

Fan type	I _{max}	Min. static back pressure (Pa)				
		1	2	3	4	5
	Cntrl.(A)					
DKEX 225-4	1.64	0	0	0	55	125
	0.95	0	0	0	55	125
DKEX 250-4	3.27	0	0	0	10	60
	1.9	0	0	0	10	60
DKEX 280-4	4.35	0	0	45	155	300
	2.5	0	0	45	155	300
DKEX 315-4	8	0	0	15	40	300
	4.6	0	0	15	40	300

Fan type	I _{max}	Min. static back pressure (Pa)				
		1	2	3	4	5
	Cntrl.(A)					
DKEX 355-6	6.5	0	0	0	0	0
	3.76	0	0	0	0	0
KTEX 50-25-4	1.64	0	0	0	40	110
	0.95	0	0	0	40	110
KTEX 50-30-4	3.27	0	0	0	0	40
	1.9	0	0	0	0	40
KTEX 60-30-4	4.35	0	0	30	105	250
	2.5	0	0	30	105	250
KTEX 60-35-4	8	0	0	0	0	225
	4.6	0	0	0	0	225
KTEX 70-40-6	6.5	0	0	0	0	0
	3.76	0	0	0	0	0

Step	1	2	3	4	5
Voltages 230V 1~	80V	105V	130V	160V	230V
Voltages 400V (Y) 3~	95V	145V	190V	240V	400V
Voltages 230V 3~(Δ)	55V	85V	110V	140V	230V

12.2 KTEX

Rated data								
Fan type	Voltage/Frequence	P (kW)	I ¹ A	rpm min-max	Isol. Class	Weight kg	Min. Flow m ³ /h	Max. Flow m ³ /h
KTEX 50-25-4	230V(Δ) 3~ 50Hz	0.5	1.52	500-1470	F	17	200	1800
	380-400V(Y) 3~ 50Hz		0.88					
KTEX 50-30-4	230V(Δ) 3~ 50Hz	0.9	3.1	470-1490	F	22.5	200	2560
	380-415V(Y) 3~ 50Hz		1.8					
KTEX 60-30-4	230V(Δ) 3~ 50 Hz	1.3	3.9	415-1450	F	30.5	200	3150
	380-415V(Y) 3~ 50Hz		2.25					
KTEX 60-35-4	230V(Δ) 3~ 50 Hz	2.1	6.8	590-1480	F	35.5	200	3750
	380-415V(Y) 3~ 50Hz		3.9					
KTEX 70-40-6	230V(Δ) 3~ 50 Hz	1.6	6.2	330-985	F	48	200	5100
	380-415V(Y) 3~ 50Hz		3.6					

1. The current may only exceed the rated currents on the rating plate by the ratio (%) given as long as the total power consumption does not exceed the rated power given.

Fan type	I _{max}	Min. static back pressure (Pa)				
		1	2	3	4	5
	Cntrl.(A)					
KTEX 50-25-4	1.64	0	0	0	40	110
	0.95	0	0	0	40	110
KTEX 50-30-4	3.27	0	0	0	0	40
	1.9	0	0	0	0	40
KTEX 60-30-4	4.35	0	0	30	105	250
	2.5	0	0	30	105	250
KTEX 60-35-4	8	0	0	0	0	225
	4.6	0	0	0	0	225
KTEX 70-40-6	6.5	0	0	0	0	0
	3.76	0	0	0	0	0

13 Product dimensions

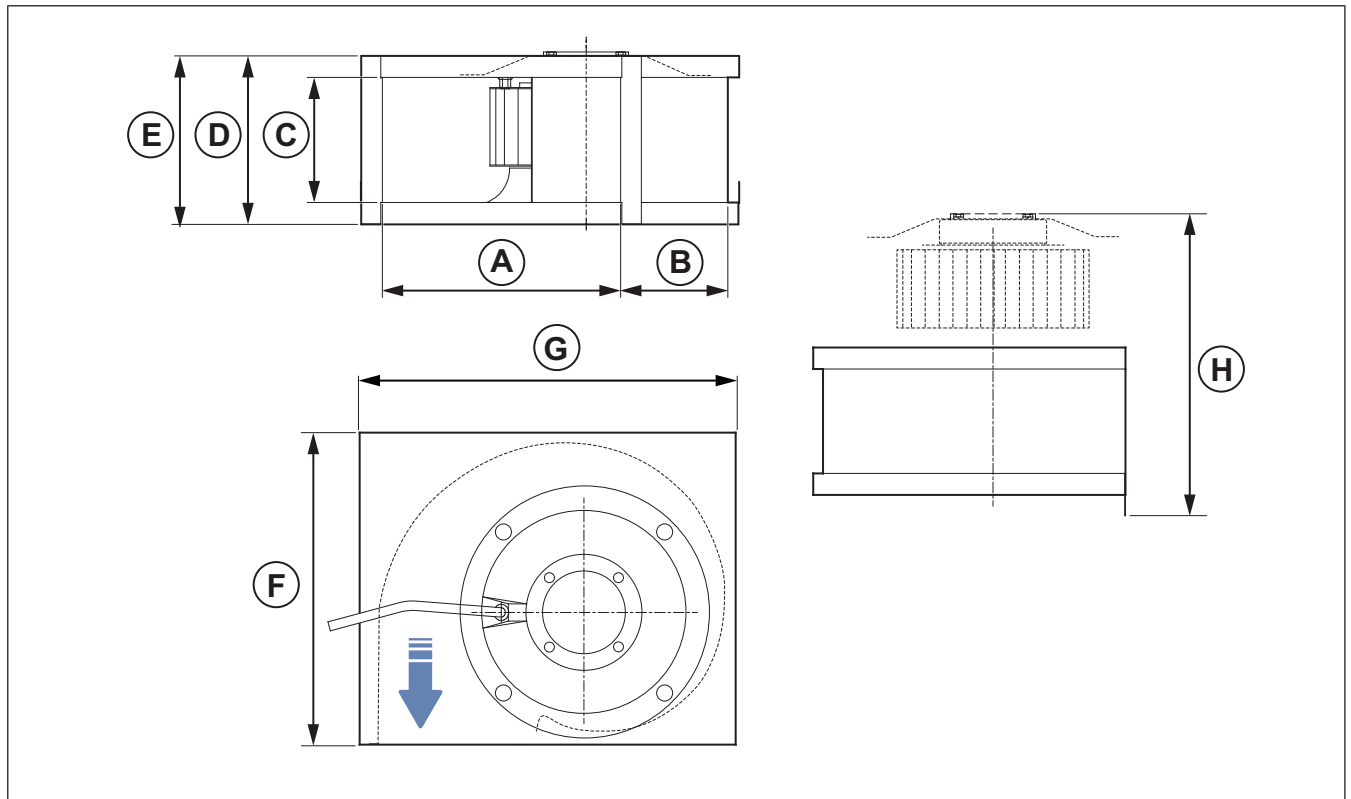
Note:

If the unit of measure is not specified, the dimensions are given in millimetres.

Note:

The arrow in the dimension drawing shows the direction of the airflow.

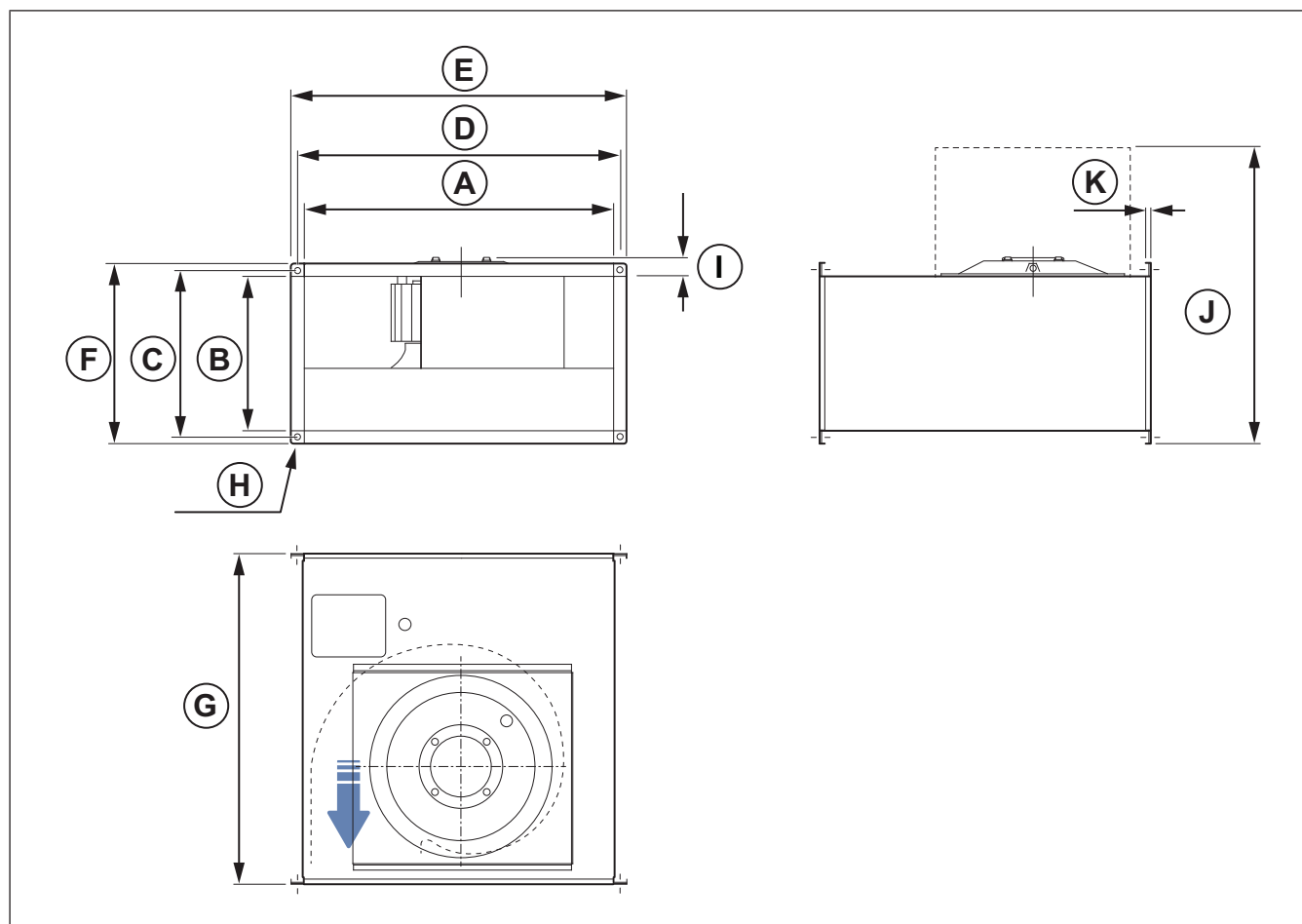
13.1 Product dimensions DKEX



	A	B	C	D	E	F	G	H 1
DKEX 225	280	133	145	196	196	367	445	337
DKEX 250	315	154	165	216	243	410	492	375
DKEX 280	357	169	180	230	248	453	547	413
DKEX 315	400	188	203	254	276	515	615	465
DKEX 355	450	213	227	278	320	574	689	489

1. Minimum dimensions to remove the motor out of casing

13.2 Product dimensions KTEX



	A	B	C	D	E	F	G	ØH	I ¹	J ²	K
KTEX 50-25	498	248	270	520	540	290	532	10	34.5	610	8
KTEX 50-30	498	298	320	520	540	340	562	10	34.5	695	8
KTEX 60-30	598	298	320	620	640	340	642	10	52	715	8
KTEX 60-35	598	348	370	620	640	390	717	10	54.5	805	8
KTEX 70-40	698	398	420	720	740	440	787	10	50	900	8

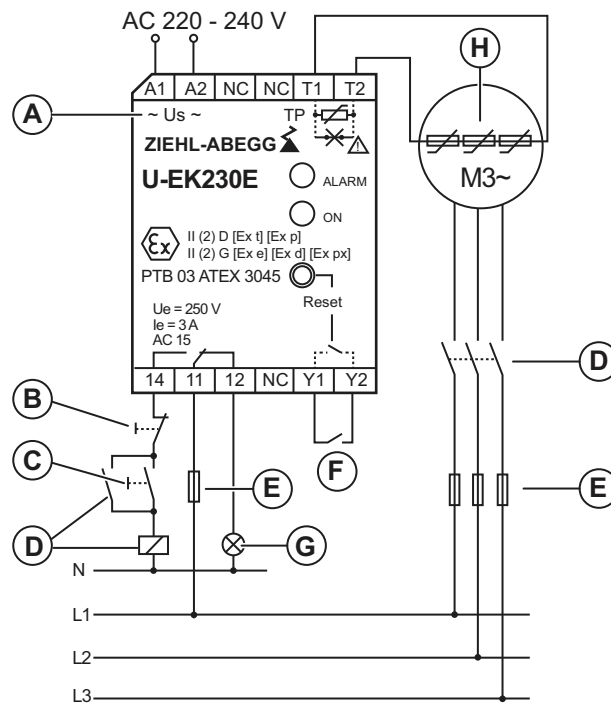
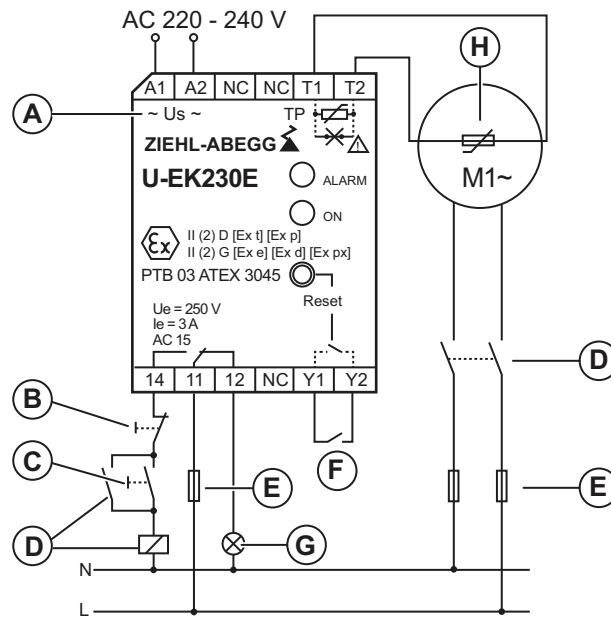
1. Dimensions from the motor bolts
2. Dimensions with fully open hatch

14 Wiring diagrams

	3-phase 230 V (D)	3-phase 400 V (Y)	3-phase 400 V / 230 V
DKEX 225-4 KTEX 50-25-4			
DKEX 250-4 KTEX 50-30-4			
DKEX 280-4 KTEX 60-30-4			
DKEX 315-4 KTEX 60-35-4			
DKEX 355-6 KTEX 70-40-6			

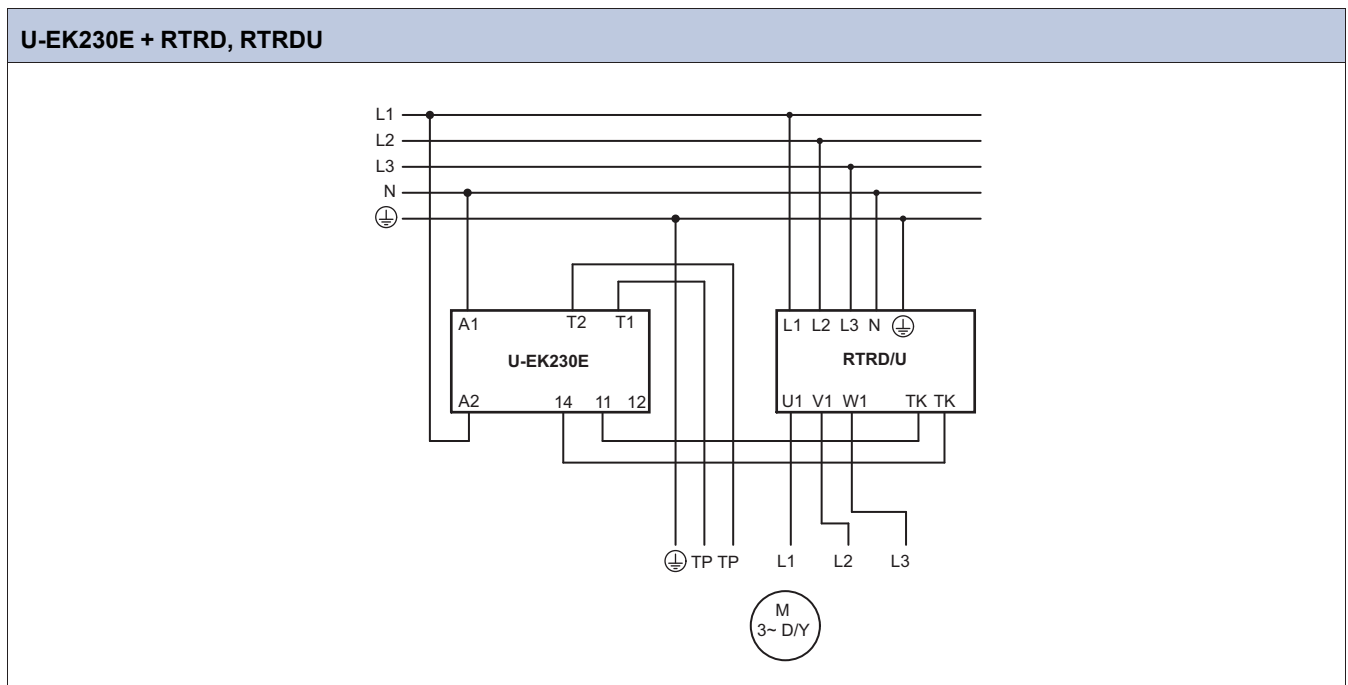
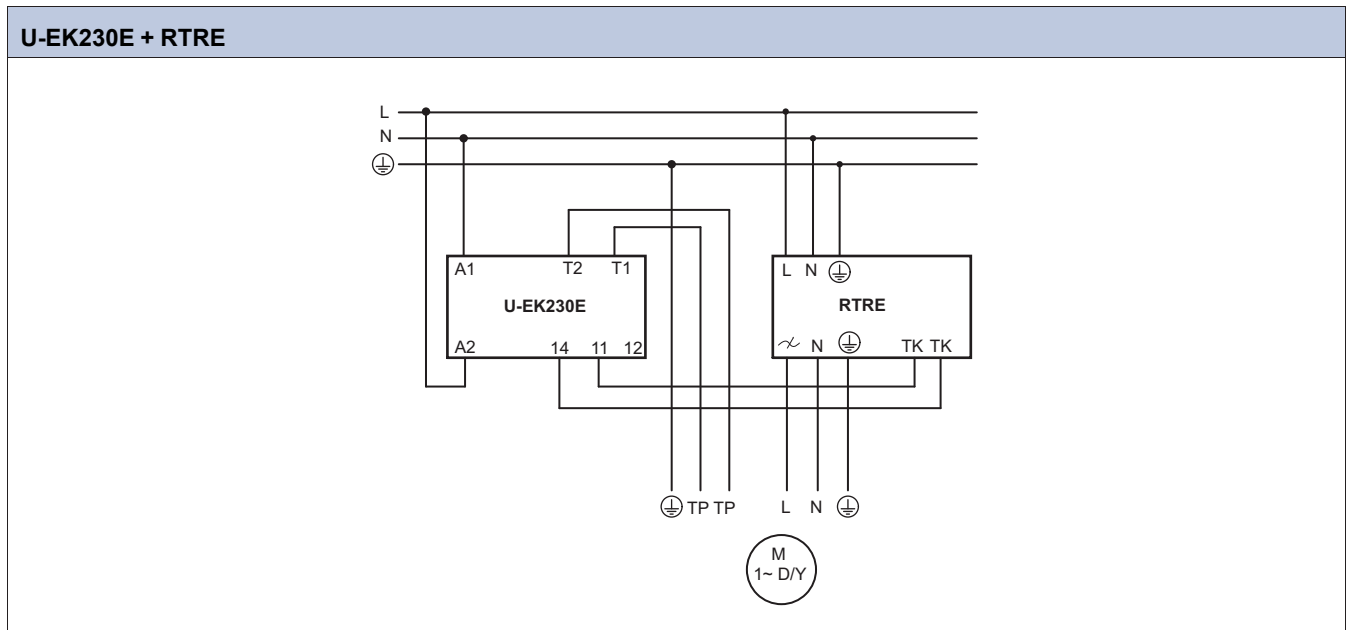
14.1 Wiring diagram for motor protection for ATEX motors

U-EK230E



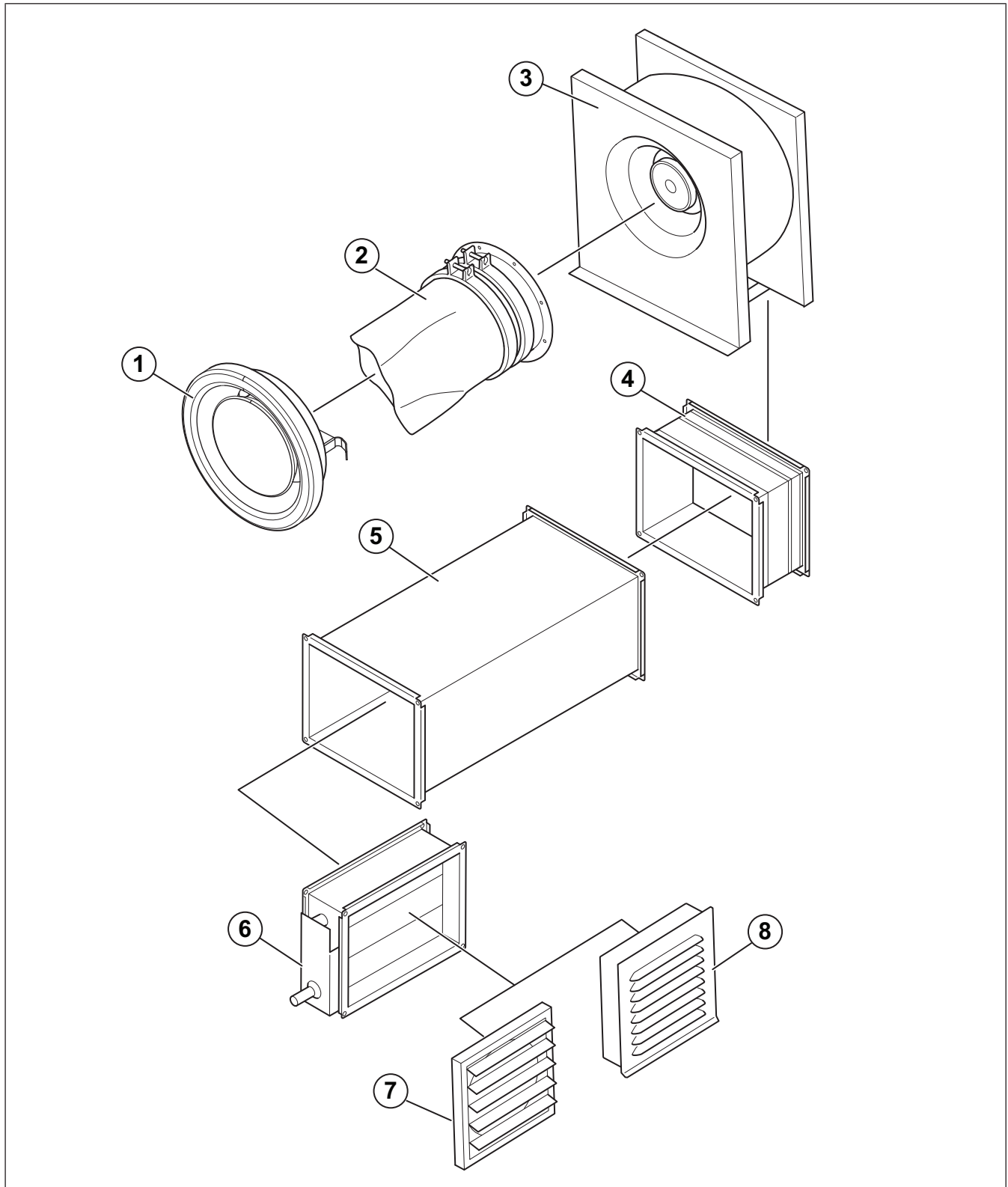
- A. Supply voltage (Us)
- B. Push button off (S1)
- C. Push button on (S2)
- D. Contactor (K1)
- E. Fuses (F1-F4)
- F. Push button external reset (S3)
- G. Fault indicator (H1)
- H. PTC termistor (TP)

14.2 Wiring diagram for speed controller for ATEX motors



15 Accessory overview

15.1 Accessory overview DKEX



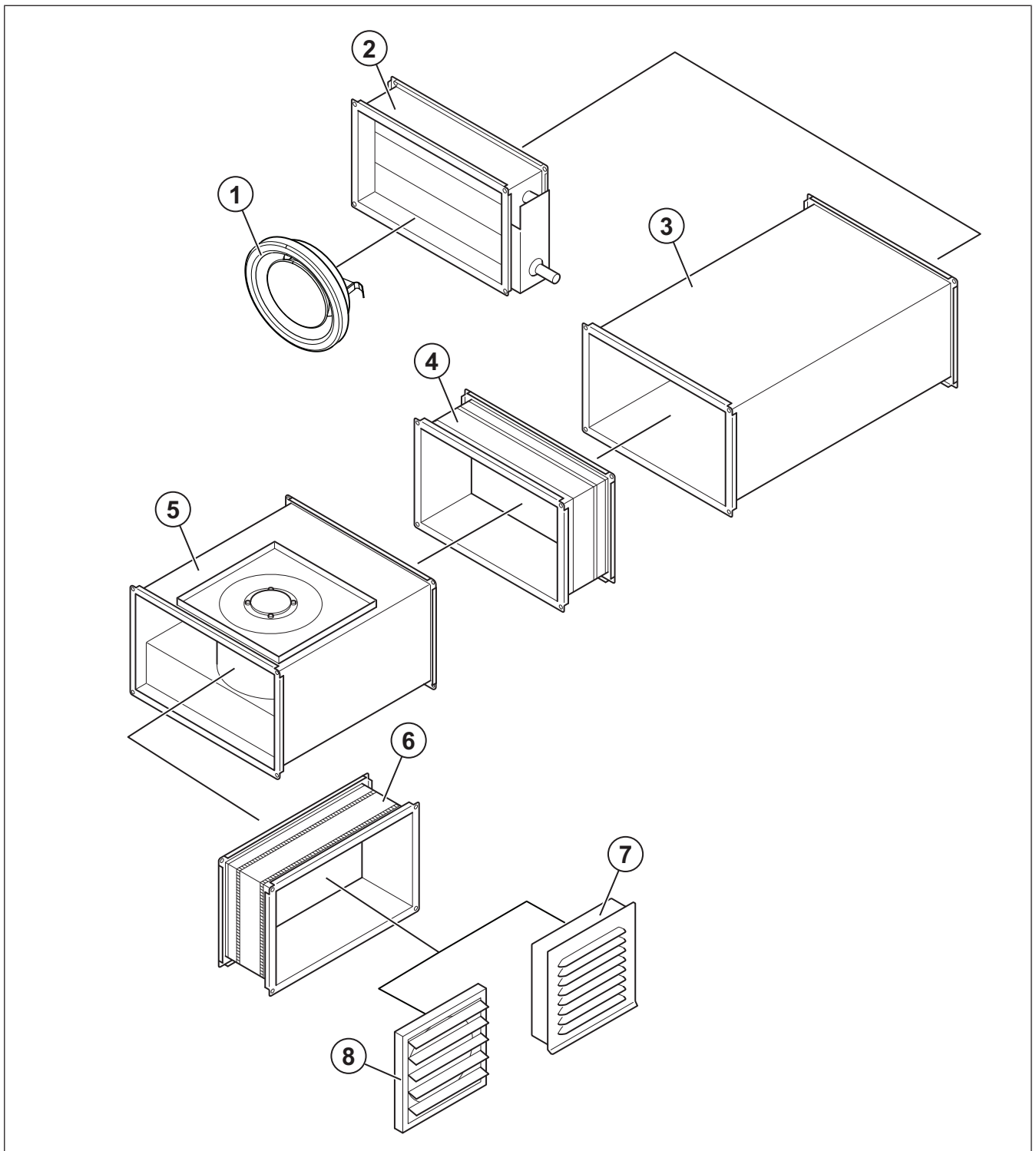
- 1. EFF: Extract air valve
- 2. ISE: Flexible connection
- 3. DKEX: Explosion proof fan
- 4. USE: Flexible connection

- 5. LDR: Silencer
- 6. SRK: Volume control camper
- 7. VK: Louvre shutter
- 8. IGK: Wall grid

Note:

The selection of accessories shown are not supplied with the product. For more information and other available accessories, refer to www.systemair.com or speak to Systemair technical support.

15.2 Accessory overview KTEX



- | | |
|-------------------------------|------------------------------|
| 1. EFF: Extract air valve | 5. KTEX: Explosion proof fan |
| 2. SRK: Volume control damper | 6. DS: Flexible connection |
| 3. LDR: Silencer | 7. VK: Louvre shutter |
| 4. DS: Flexible connection | 8. IGK: Wall grid |

Note:

The selection of accessories shown are not supplied with the product. For more information and other available accessories, refer to www.systemair.com or speak to Systemair technical support.

16 EU Declaration of Conformity

We, the manufacturer

Manufacturer	Systemair Sverige AB
Address	Industrivägen 3 739 30 Skinnskatteberg Sweden

declare under our sole responsibility that the products

Machine	Explosion proof fan
Type/Model	DKEX, KTEX

fulfils the relevant provisions of following directives and standards

ATEX Directive 2014/34/EU

EN 60079-0:2018

Explosive atmospheres – Part 0: Equipment – General requirements.

EN 60079-7:2018

Explosive atmospheres – Part 7: Equipment protection by increased safety "e".

EN 14986:2017

Explosive atmospheres – Design of fans working in potentially explosive atmospheres.

Machinery Directive 2006/42/EC

EN ISO 12100:2010

Safety of machinery – General principles for design – Risk assessment and risk reduction.

EN ISO 13857:2019

Safety of machinery – Safety distances to prevent hazard zones being reached by upper or lower limbs.

EN 60529:2014

Degrees of protection provided by enclosures (IP Code).

Directive electromagnetic compatibility (EMC) 2014/30/EU

EN 61000-6-2:2005

Electromagnetic compatibility (EMC) – Part 6-2: Generic standards – Immunity for industrial environments.

EN 61000-6-3:2007

Electromagnetic compatibility (EMC) – part 6-3: Generic standards – emission standard for residential, commercial and light-industrial environments.

RoHS Directive 2011/65/EU

EN IEC 63000:2018

Technical documentation for the assessment of electrical and electronic products with respect to the restriction of hazardous substances

Persons authorized to compile the technical file:



Tomas Angelhag

Head Of Engineering

This declaration relates exclusively to the machinery in the state in which it was placed on the market and excludes components which are added or operations carried out subsequently by the final user.

Skinnskatteberg, Sweden 2023-11-30



Sofia Rask

Managing Director



Systemair Sverige AB
Industrivägen 3
SE-739 30 Skinnskatteberg

+46 222 440 00
mailbox@systemair.com
www.systemair.com

© Copyright Systemair AB
All rights reserved
EOE

Systemair AB reserves the rights to alter their products without notice. This also applies to products already ordered, as long as it does not affect the previously agreed specifications.