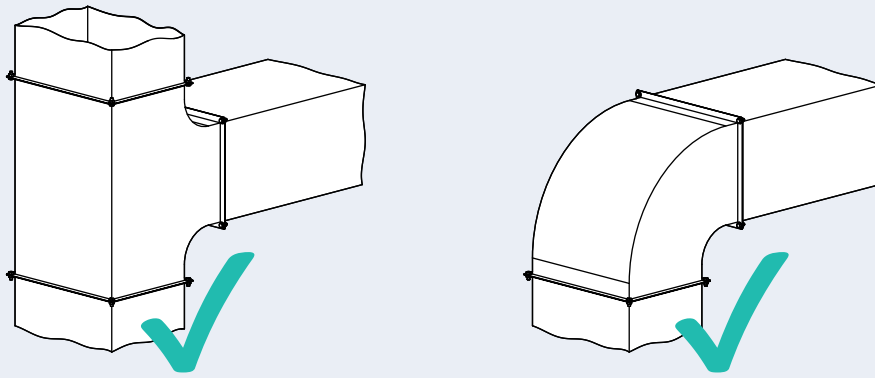


OPTIMA-S

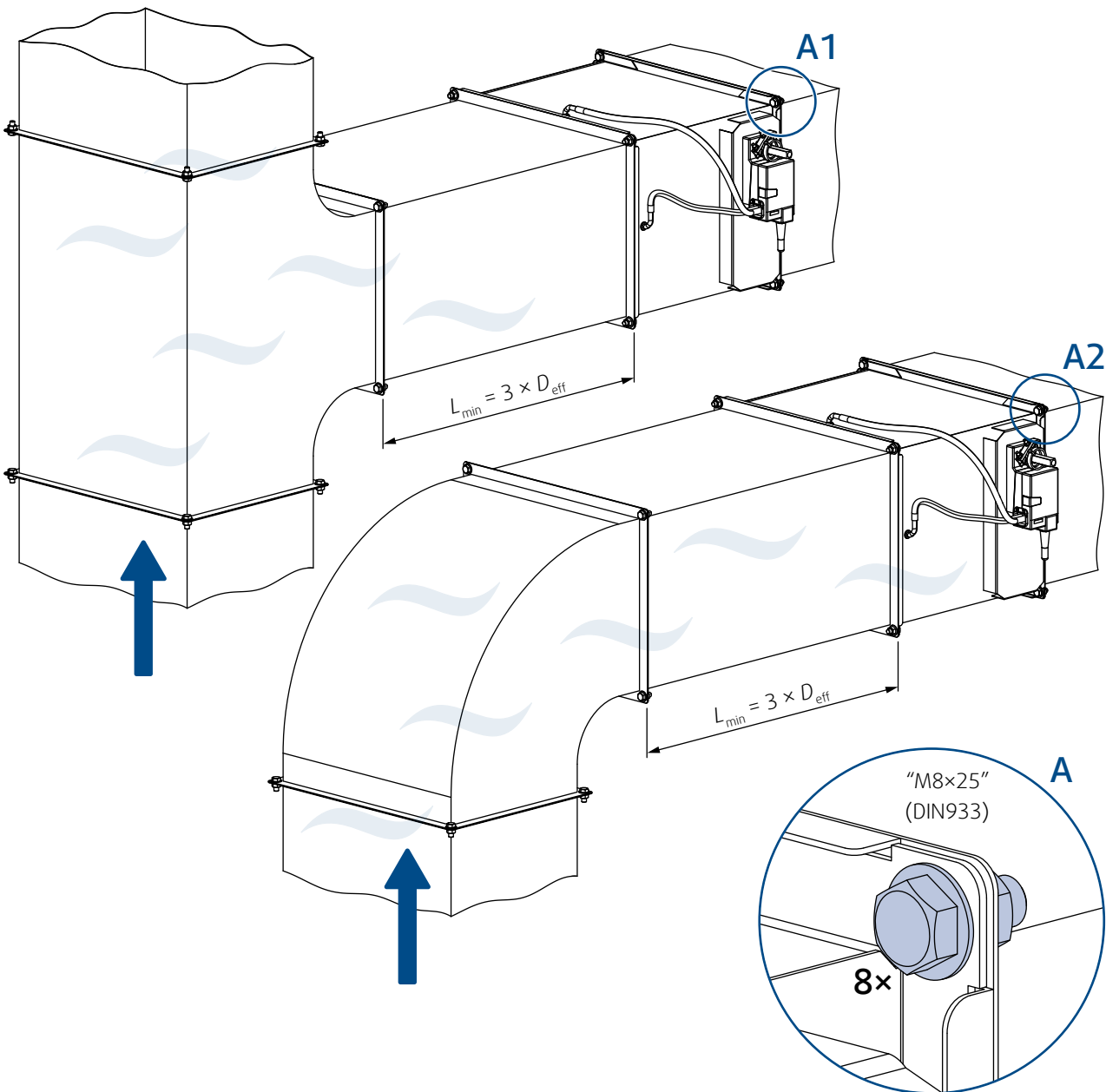
VAV Controller
User Manual

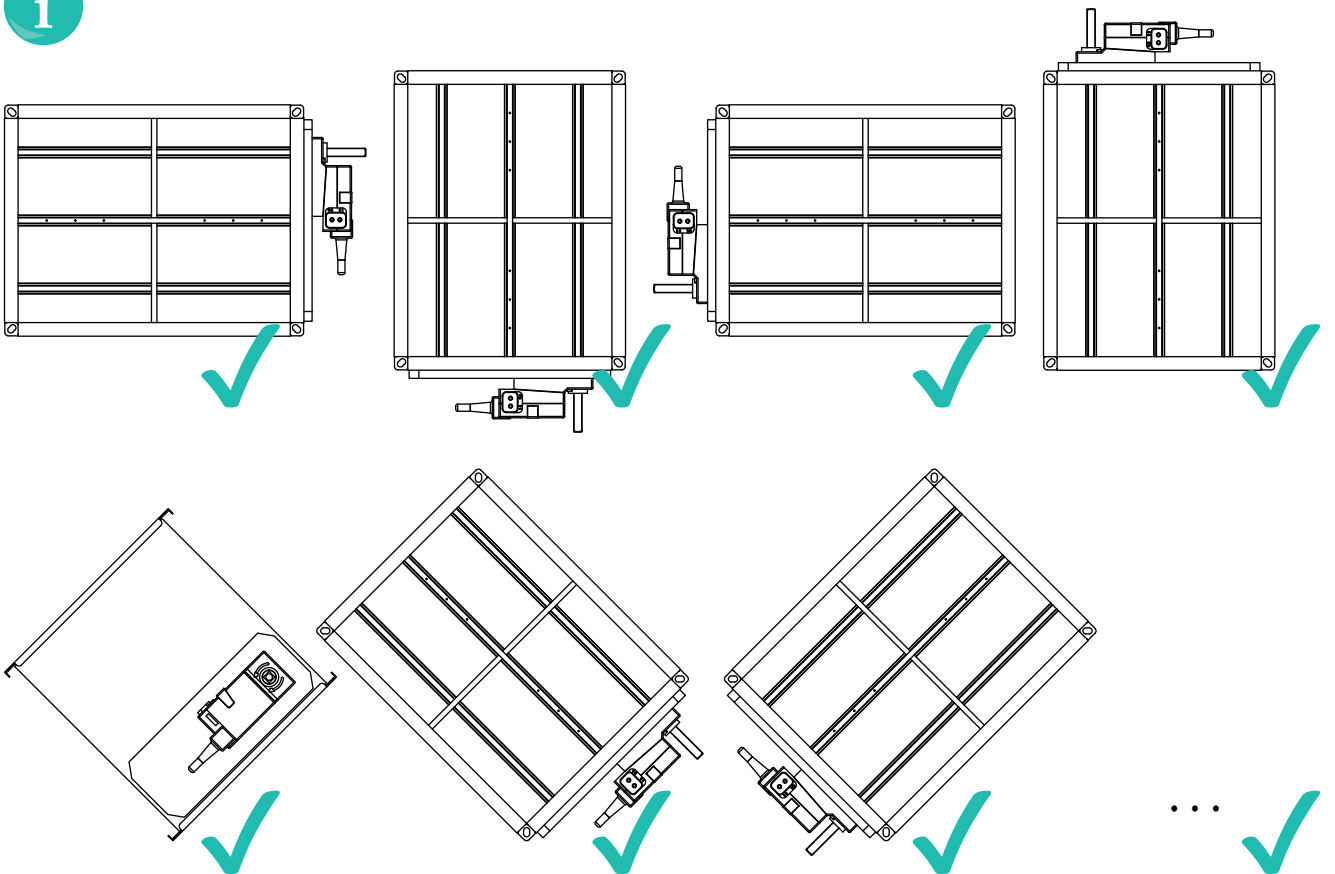
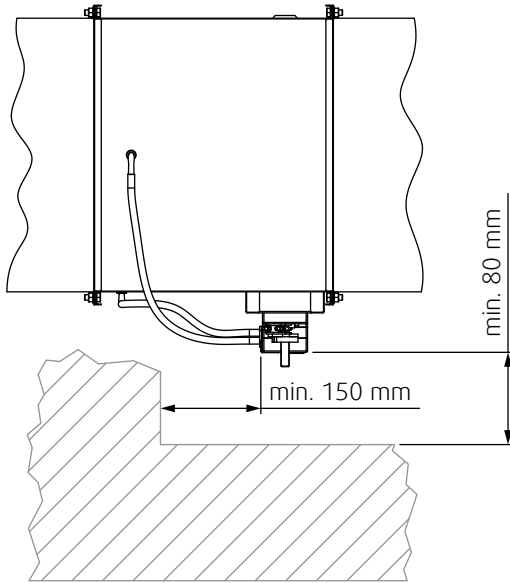


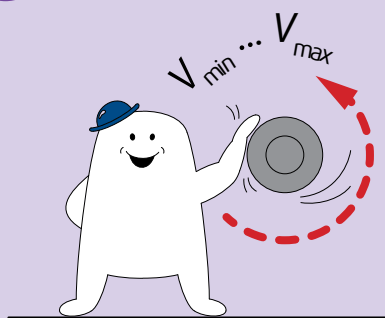


1.

$$D_{\text{eff}} = (2 \times W \times H) / (W + H)$$

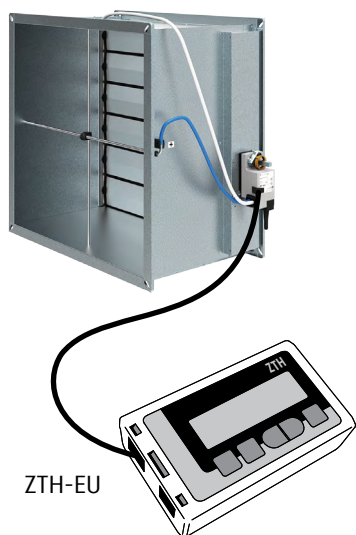




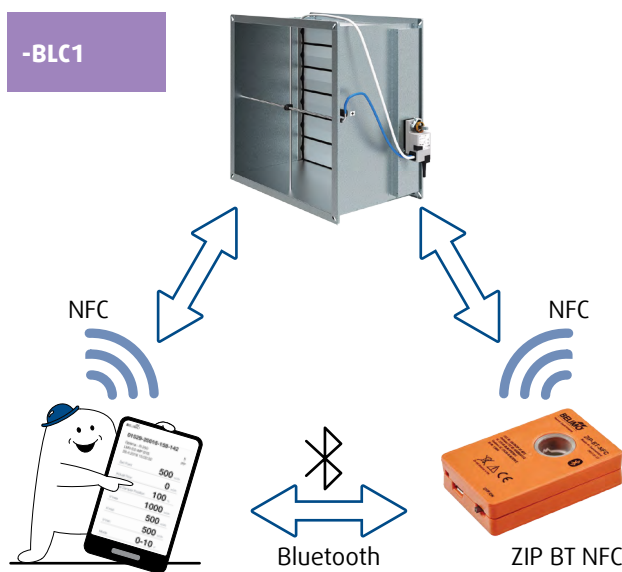


OPTIMA-S...	-BLC1	-BLC1MOD	-GO
	-BLC4	-BLC1LON	-GOMOD
		-BLC1KNX	

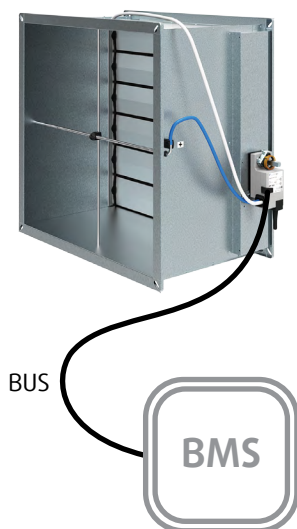
- BLC1
- BLC4
- BLC1MOD
- BLC1LON
- BLC1KNX



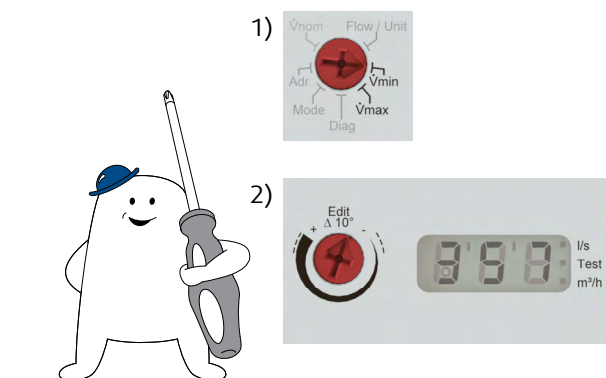
- BLC1



- BLC1MOD
- BLC1LON
- BLC1KNX
- BLC1
- GOMOD



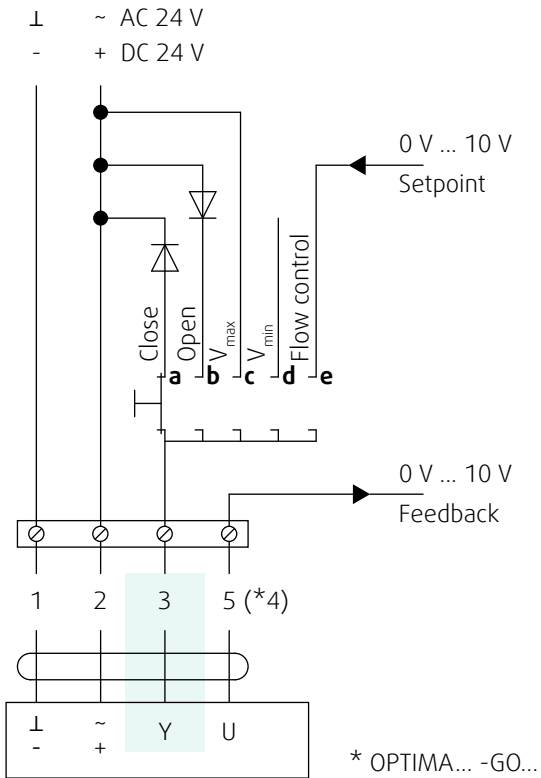
- GO
- GOMOD





- OPTIMA-S...
- BLC1
- BLC4
- GO

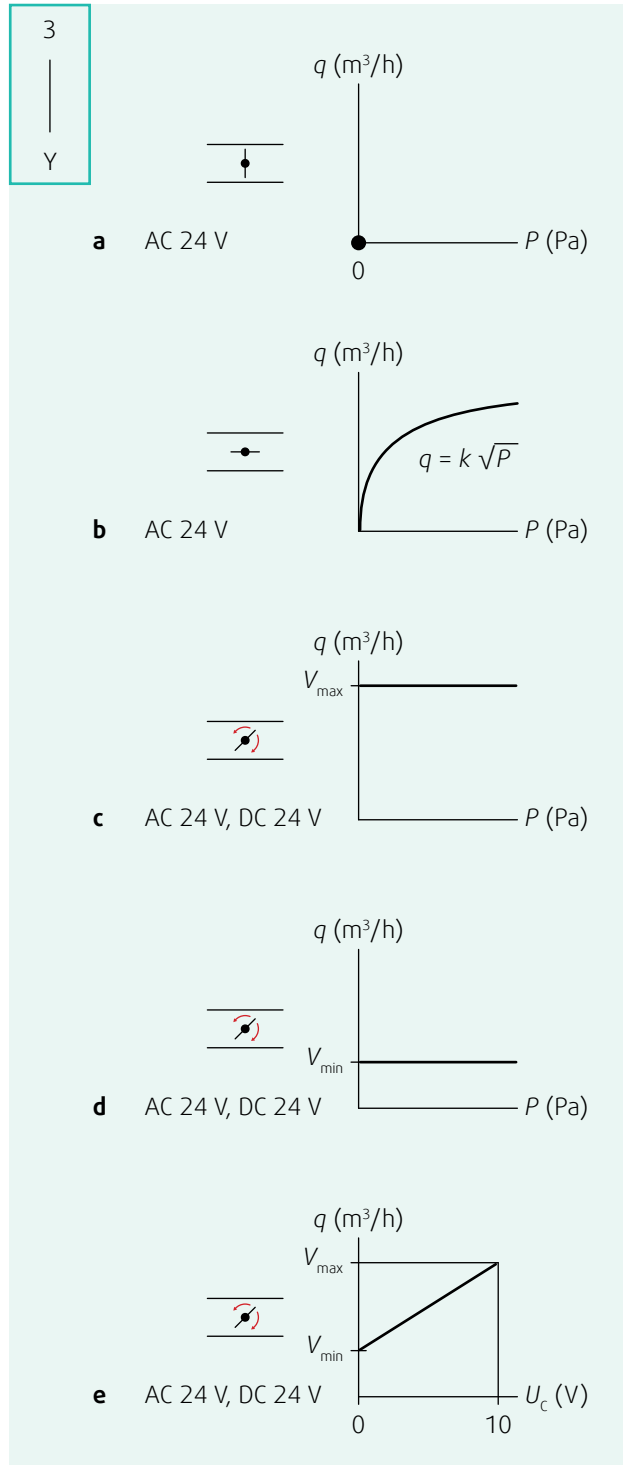
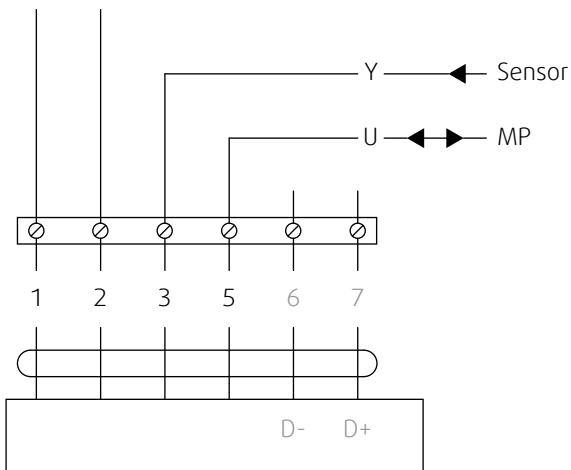
(DC 0 V ... 10 V)



-BLC1

MP-Bus

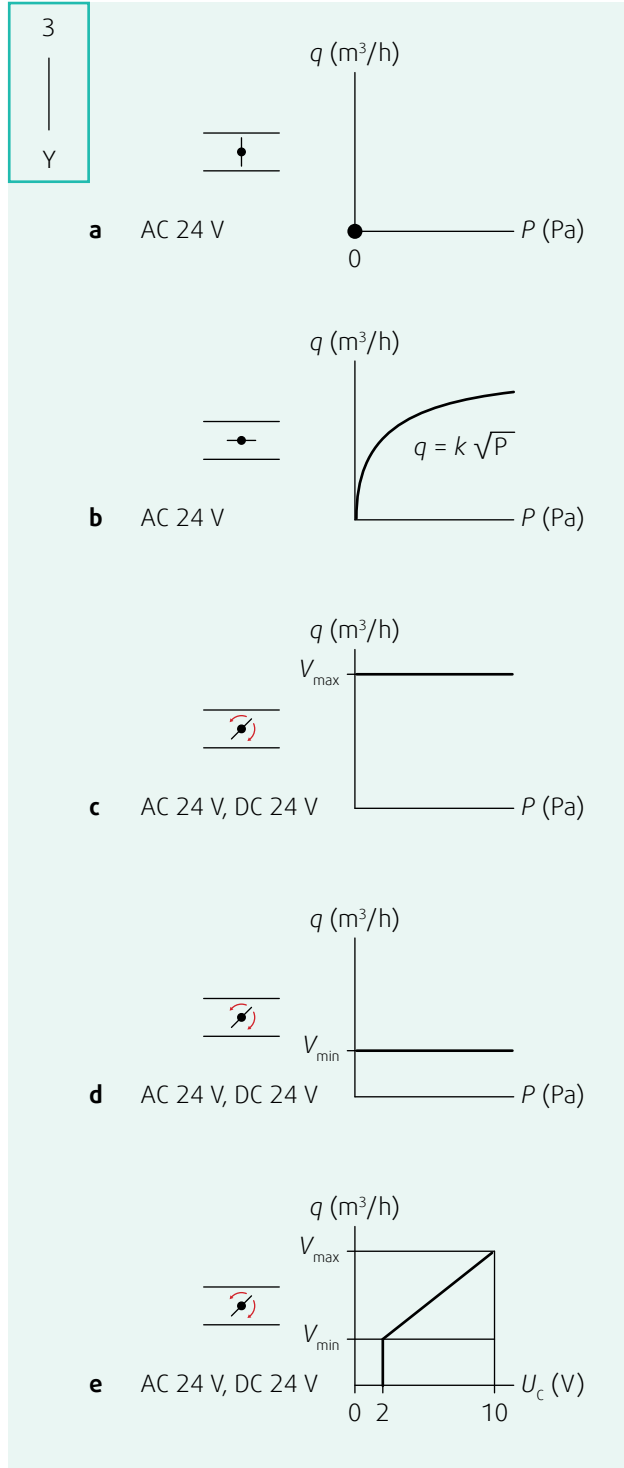
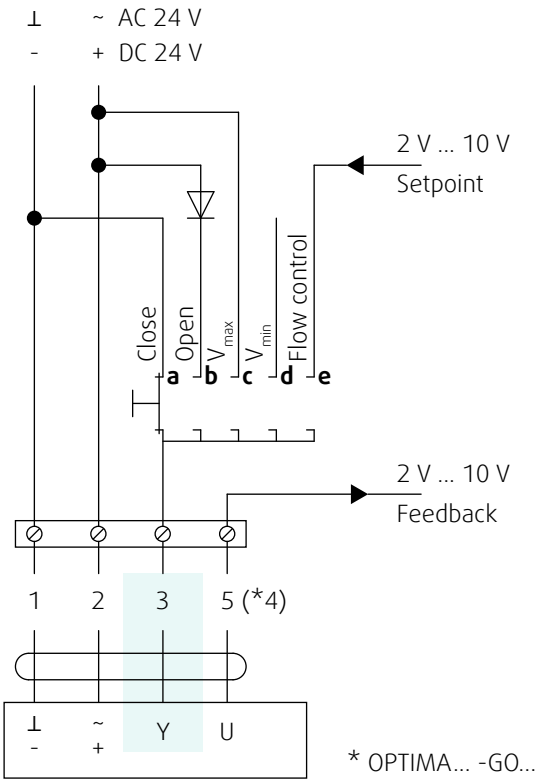
⊥ ~ AC 24 V
- + DC 24 V





OPTIMA-S... -BLC1 -BLC4 -GO

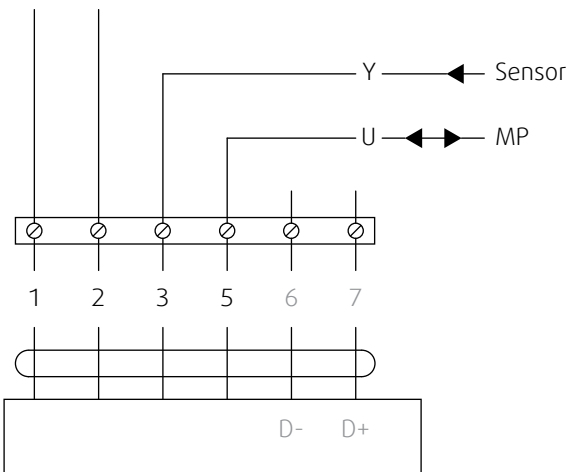
(DC 2 V ... 10 V)



-BLC1

MP-Bus

⊥ ~ AC 24 V
- + DC 24 V

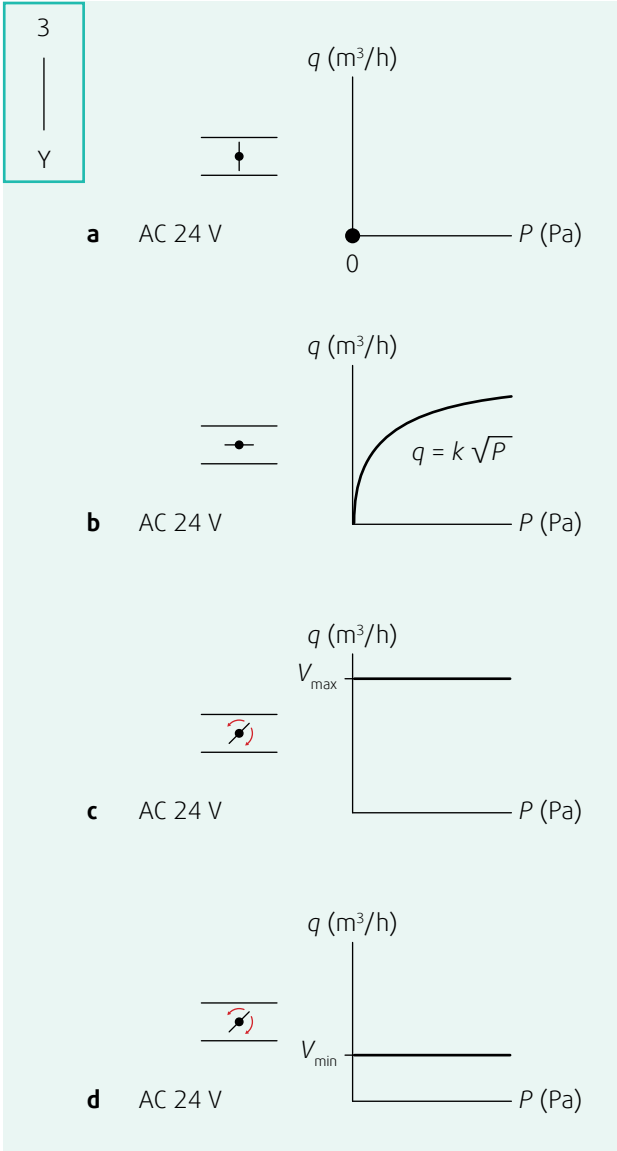
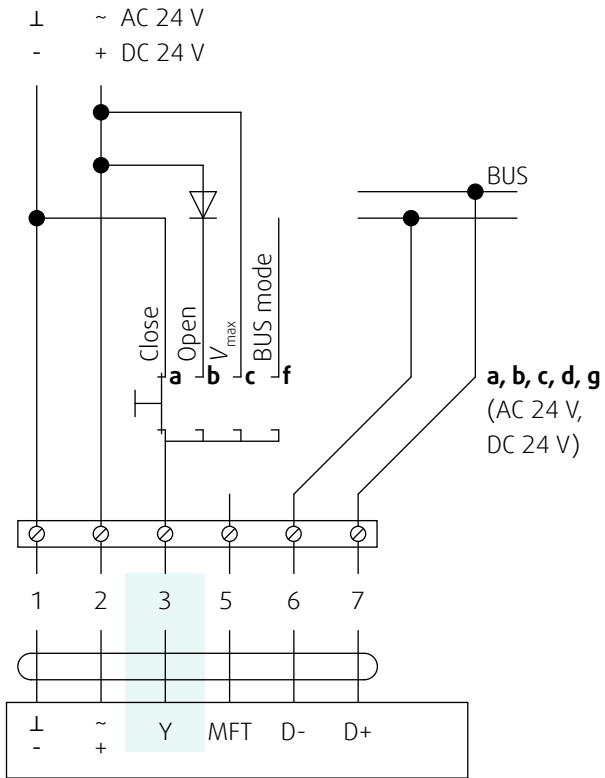




OPTIMA-S...

-BLC1KNX

(BUS)

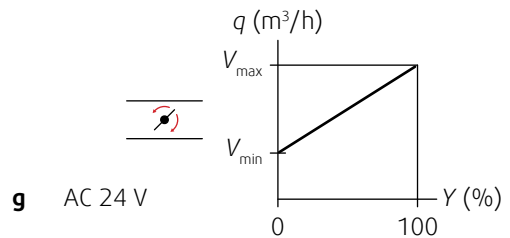
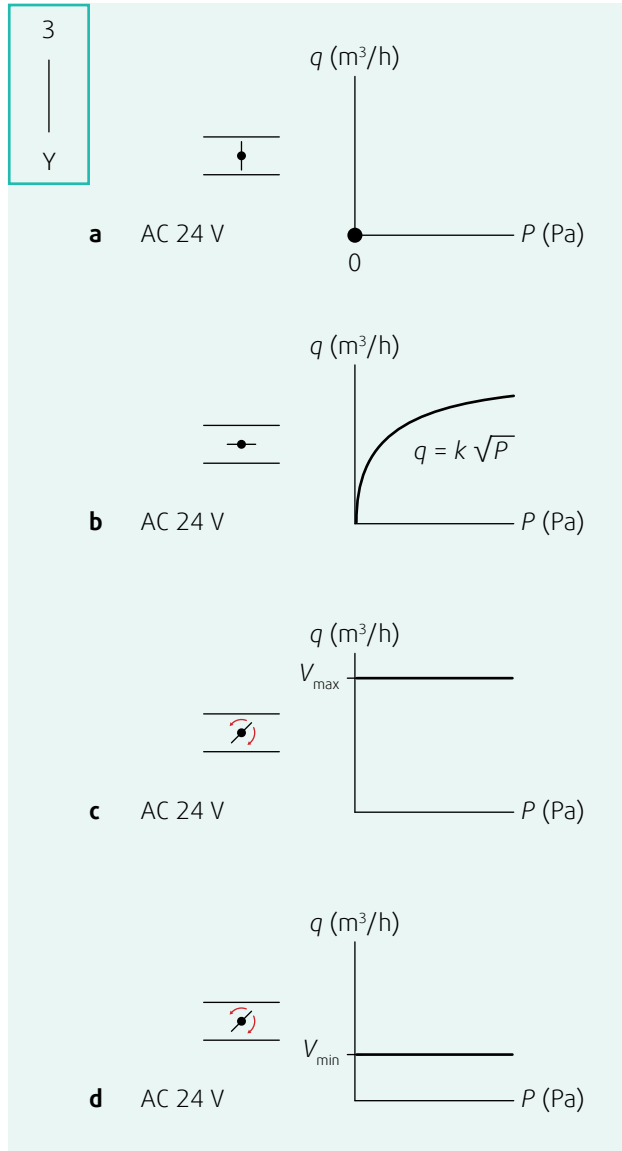
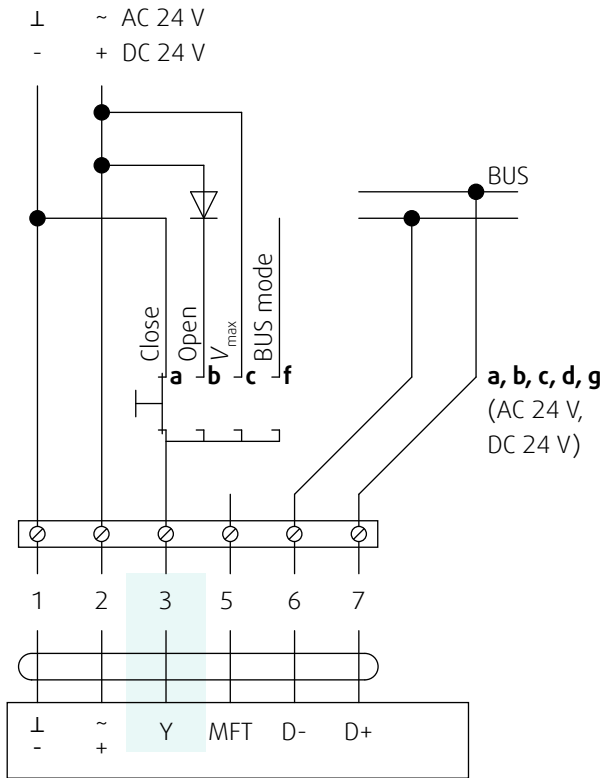




OPTIMA-S...

-BLC1LON

(BUS)

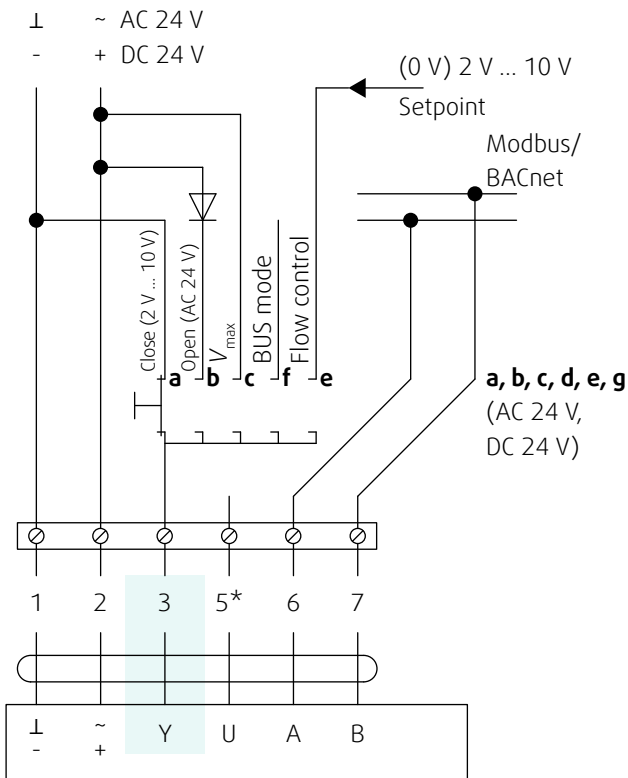




OPTIMA-S...

-BLC1MOD

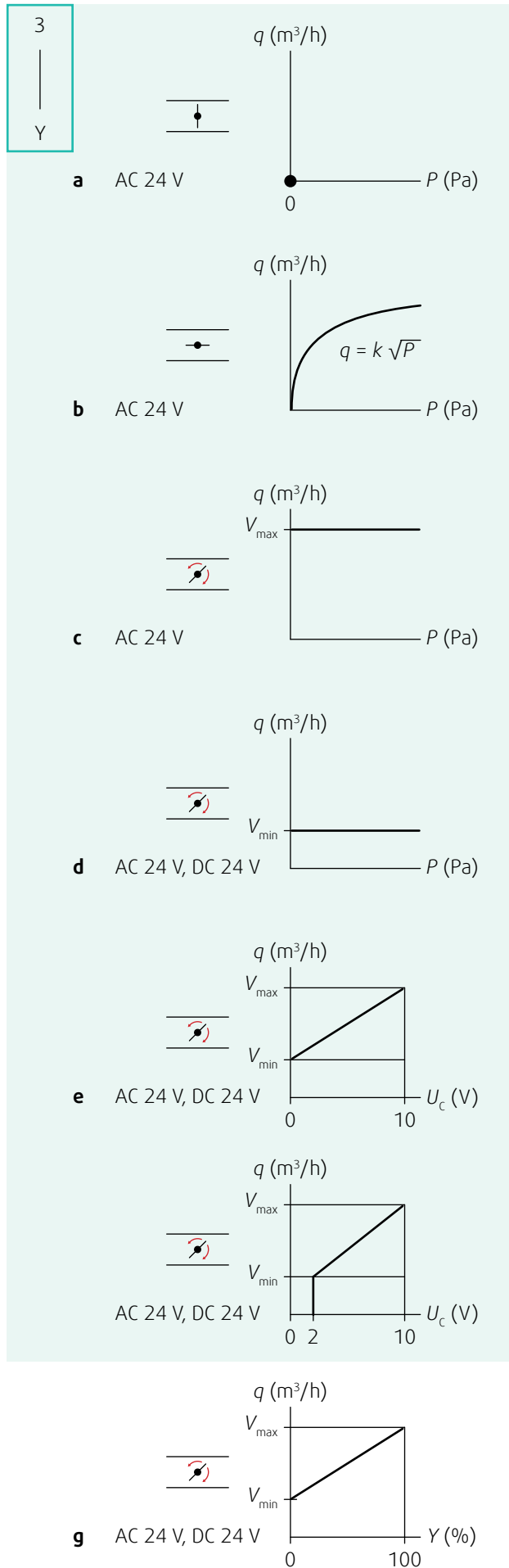
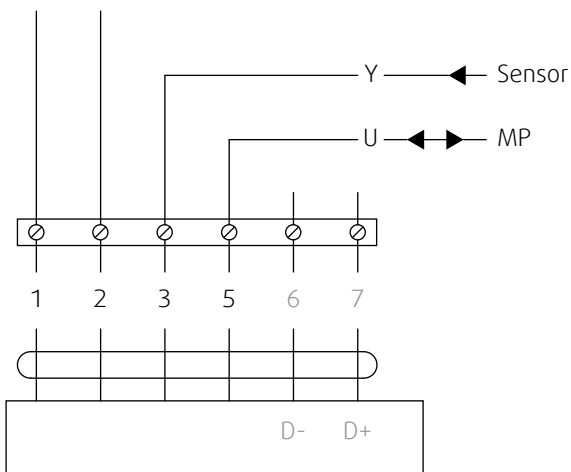
(BUS/DC (0V) 2 V ... 10 V)



* 2 V ... 10 V Feedback

MP-Bus

⊥ ~ AC 24 V
- + DC 24 V

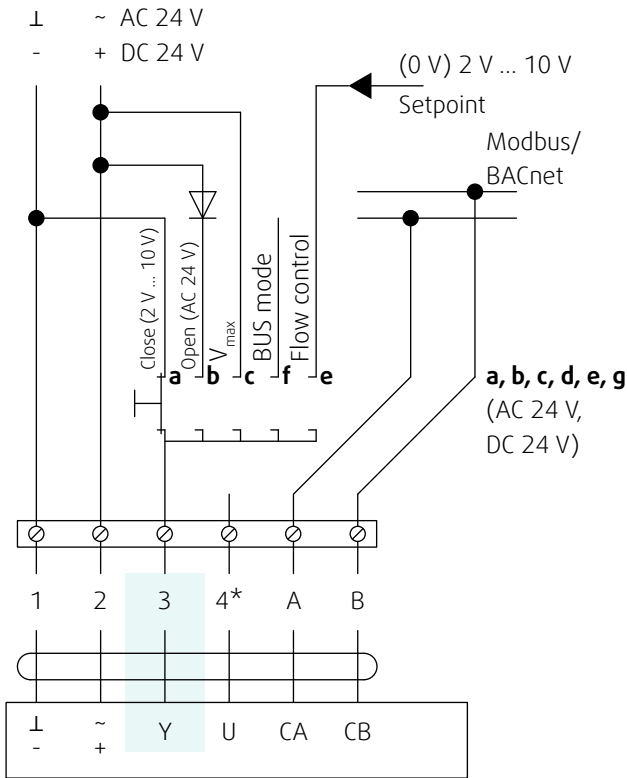




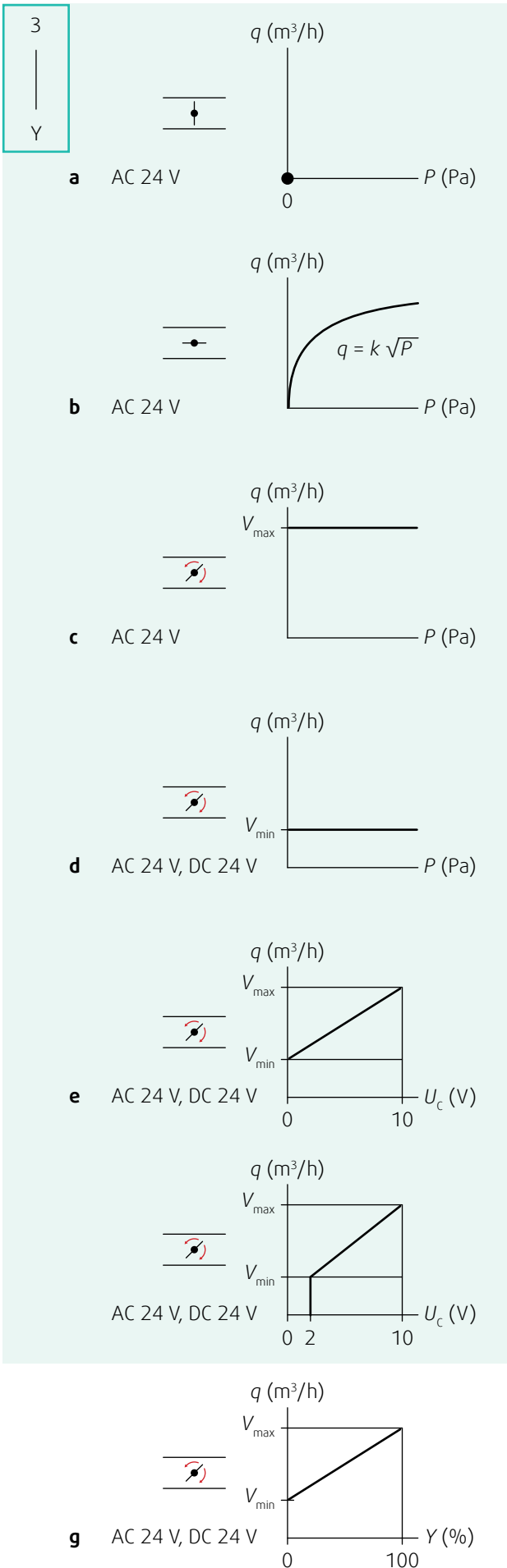
OPTIMA-S...

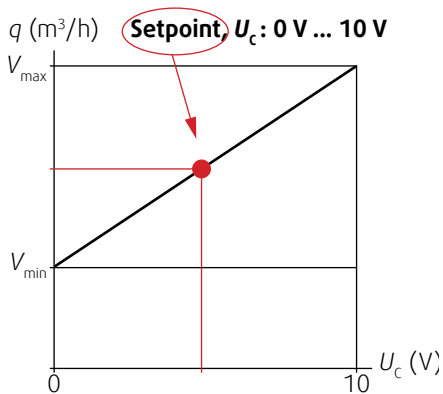
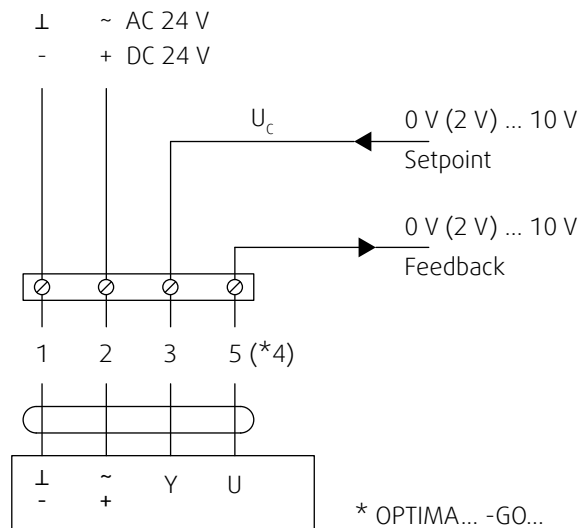
-GOMOD

(BUS/DC (0V) 2 V ... 10 V)

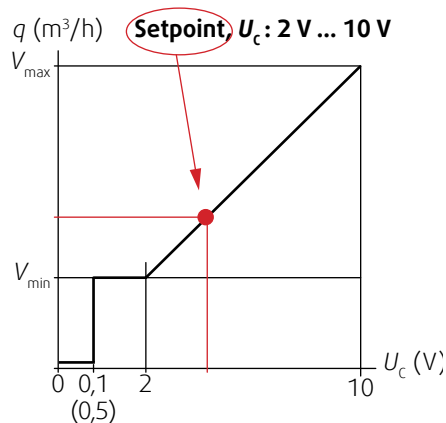


* 0 V (2 V) ... 10 V Feedback

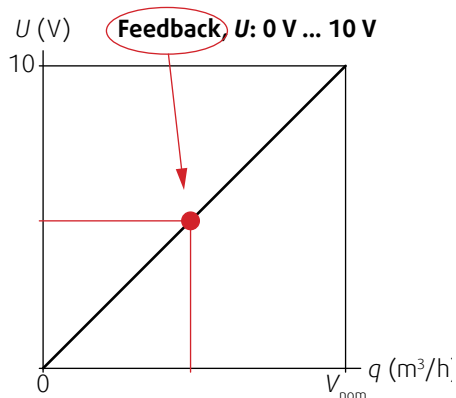




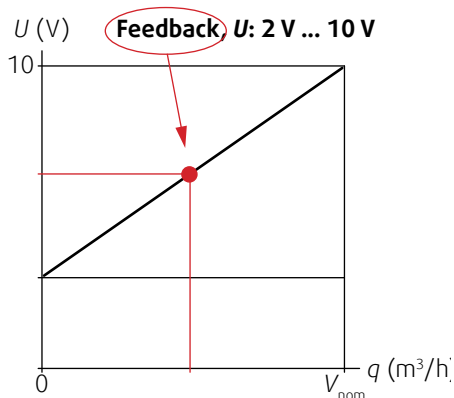
$$U_c = \frac{q - V_{\min}}{V_{\max} - V_{\min}} \cdot 10$$



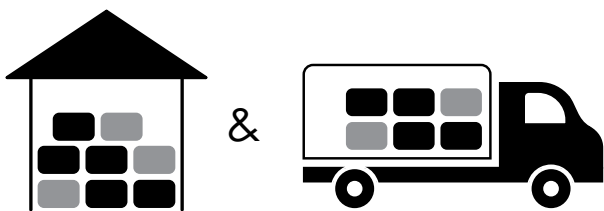
$$U_c = 2 + \frac{q - V_{\min}}{V_{\max} - V_{\min}} \cdot 8$$




$$q = \frac{U}{10} \cdot V_{\text{nom}}$$

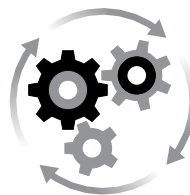


$$q = \frac{U - 2}{8} \cdot V_{\text{nom}}$$




 °C -20°C ... +50°C

 % ≤ 95%



 °C -20°C ... +50°C

 % ≤ 95%



design.systemair.com