

Technical Data Sheet

CODE 12614

VORTICE 150/6" P-LL-S

Wall/window axial fans



Certifications

CE CE

EAC EAC

G-Mark G-Mark

UKCA UKCA

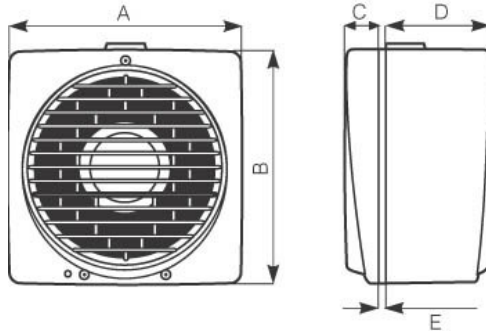


CB TEST CERTIFICATE

TECHNICAL AND PERFORMANCE DATA

Frequency (Hz)	50-60	Max room temperature for continuous operation at 60 Hz (°C)	50
Insulation class	II°	Ø Discharge hole (mm)	150
IP	X4	Voltage (V)	220-240
Max absorbed current (A)	0,16	Weight (Kg)	2,07
Max absorbed power (W)	32	Max airflow (l/s)	105,6
Max absorbed Power at 60 Hz (W)	32	Max airflow (m³/h)	380
Max ambient temperature for continuous operation (°C)	50	RPM	2210
		Sound pressure Lp [dB (A)] at 3 m	46,9

DIMENSIONS



Ø hole through the glass	185/190
Ø hole through the wall	185/190
Size A (mm)	215
Size B (mm)	218
Size C (mm)	31
Size D (mm)	97,5
Size E (mm)	2/38

PER INFORMAZIONI / FOR INFORMATION

ITALY

Pre Sales:
prevendita@vortice-italy.com
After Sales:
postvendita@vortice-italy.com

UNITED KINGDOM & REP. OF

IRELAND
Sales Dept:
sales@vortice.ltd.uk
Technical Dept:
technical@vortice.ltd.uk

OTHER COUNTRIES

Sales Dept:
export@vortice-italy.com
After Sales:
after-sales@vortice-italy.com

Technical Data Sheet

CODE 12614

VORTICE 150/6" P-LL-S

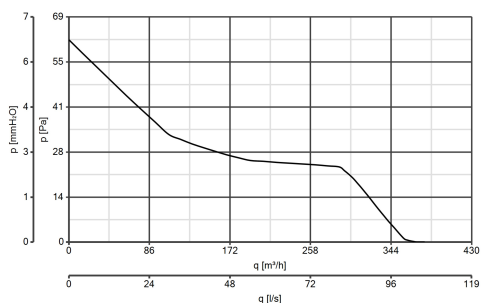
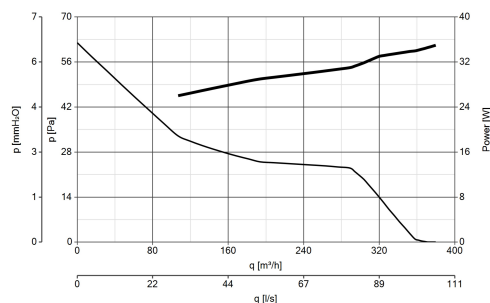
Wall/window axial fans



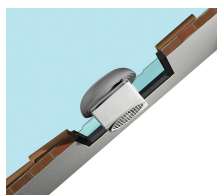
DESCRIPTION

- Model designed for window/wall mounted installation.
- Version with built-in switch operated by pullcord mounted to edge of grille.
- Material: UV resistant ABS plastic (prevents ageing caused by exposure to sunlight).
- Nominal diameter 150 mm.
- Motor protected against thermal overload, with shaft turning in ball bearings, coupled to screw type thermoplastic impeller with wing profile blades.

CURVES



ACCESSORIES



KIT TE 150/6" (TORRETTA)

Code 13001



KIT MU (MURO)

Code 13018



KIT WV 150/6" (DOPPI VETRI)

Code 13021



KIT FF 150/6" (DOPPIA FINESTRA)

Code 13024



CR5N

Code 12941



CR5

Code 12943



CREN

Code 12944

PER INFORMAZIONI / FOR INFORMATION

ITALY

Pre Sales:
prevendita@vortice-italy.com
After Sales:
postvendita@vortice-italy.com

UNITED KINGDOM & REP. OF

IRELAND
Sales Dept:
sales@vortice.ltd.uk
Technical Dept:
technical@vortice.ltd.uk

OTHER COUNTRIES

Sales Dept:
export@vortice-italy.com
After Sales:
after-sales@vortice-italy.com